

# PRODUCT INFORMATION PACKET

**marathon**<sup>®</sup>  
Motors

Model No: 056C17D5348  
Catalog No: B337  
1,1725,DP,56,1/60/SPL  
Fan and Blower



Regal and Marathon are trademarks of Regal Beloit Corporation or one of its affiliated companies.  
©2018 Regal Beloit Corporation, All Rights Reserved. MC017097E

**REGAL**<sup>®</sup>



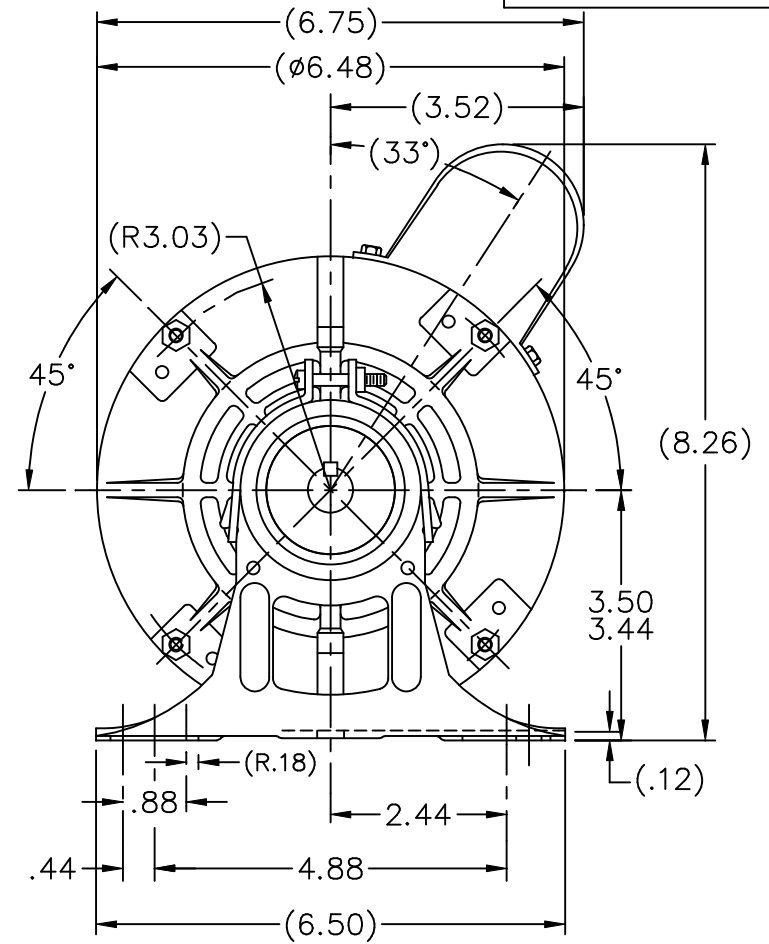
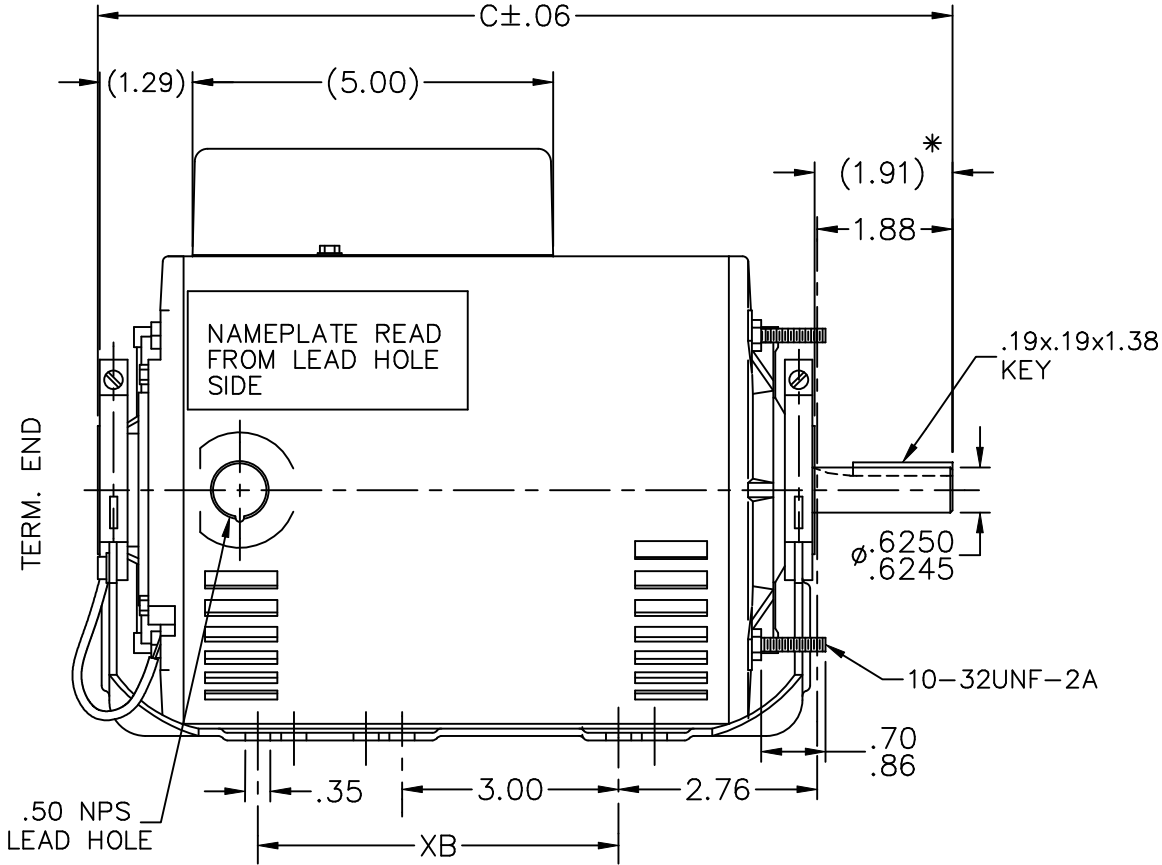
### Nameplate Specifications

Output HP	1 Hp	Output KW	0.75 kW
Frequency	60 Hz	Voltage	277 V
Current	5.6 A	Speed	1725 rpm
Service Factor	1.25	Phase	1
Efficiency	72 %	Duty	Continuous
Insulation Class	B	Design Code	NO DESIGN CODE
KVA Code	J	Frame	56
Enclosure	Drip Proof	Overload Protector	No
Ambient Temperature	40 °C	Drive End Bearing Size	6203
Opp Drive End Bearing Size	6203	UL	Recognized
CSA	Y	CE	Y
IP Code	12		

### Technical Specifications

Electrical Type	Capacitor Start Induction Run	Starting Method	Across The Line
Poles	4	Rotation	Selective Counterclockwise
Mounting	Resilient Base - Extended Studs	Motor Orientation	Horizontal
Drive End Bearing	Ball	Opp Drive End Bearing	Ball
Frame Material	Rolled Steel	Shaft Type	T
Overall Length	11.85 in	Frame Length	7.56 in
Shaft Diameter	0.625 in	Shaft Extension	1.91 in
Assembly/Box Mounting	F1 Only		
Outline Drawing	A-100136-756	Connection Diagram	102005-7

This is an uncontrolled document once printed or downloaded and is subject to change without notice. Date Created: 06/29/2018



\* DIMENSION IS FROM RESILIENT RING END CAP TO END OF SHAFT

DASH	FR.	C	XB		DASH	FR.	C	XB	
					856	56-85	12.85	5.00	
706	56-70	11.35	0						
756	"-75	11.85	5.00						

NO.	REVISION	BY & DATE	CHK	TOLERANCES UNLESS SPECIFIED	
				DEC.	INCHES
9	REDRAWN IN AUTOCAD	TAT 09-01-2004	ML	.XX	±.03
8	DIM. .70/.86 WAS .77/.89	CN 19366	AJS	12-02-1994	.XXX ±.005
7	REDRAWN ON CADD	KL 08-06-1993		.XXXX	±.0005
				ANG	±7'30"

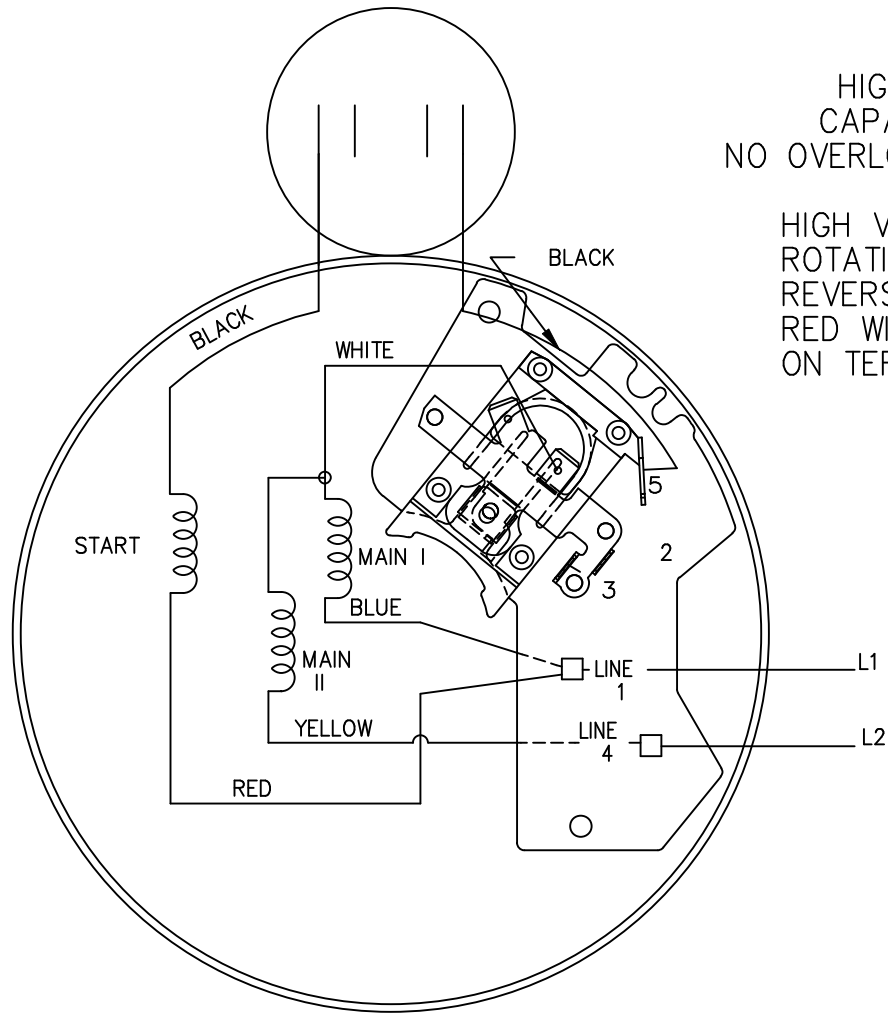
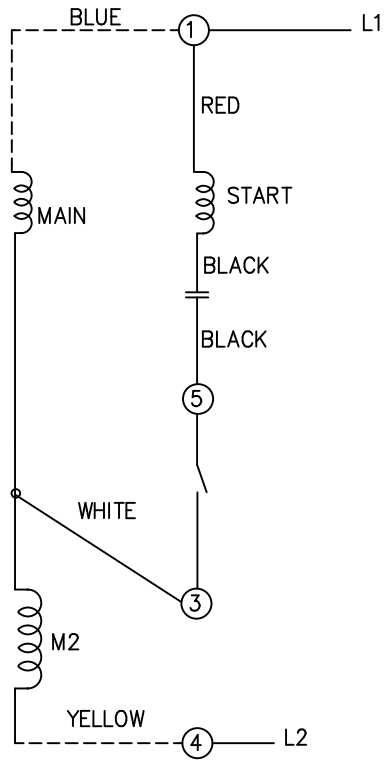
**MARATHON ELECTRIC**

TITLE OUTLINE  
56 FR. - BB - 1ø - DR.PR.

MAT'L.  
FINISH

DRAWN	KL 08-05-1993
CHK	ML 08-06-1993
APPD	ET 08-06-1993
SCALE	3=8
REF	
FMF	
PREV	

THIS DRAWING IN DESIGN AND DETAIL IS OUR PROPERTY AND MUST NOT BE USED EXCEPT IN CONNECTION WITH OUR WORK ALL RIGHTS OF DESIGN AND INVENTION ARE RESERVED THIS IS AN ELECTRONICALLY GENERATED DOCUMENT - DO NOT SCALE THIS PRINT			RFP	CAD FILE 100136	SIZE	DRAWING NO.	PAGE	OF	REV.
			DIST WP		A	100136			9



HIGH VOLTAGE  
CAPACITOR START  
NO OVERLOAD SELECT ROT.

HIGH VOLTAGE C.C.W.  
ROTATION SHOWN, TO  
REVERSE, INTERCHANGE  
RED WITH BLACK LEADS  
ON TERMS. 1 AND 5.

				TOLERANCES UNLESS SPECIFIED			DRAWN PGK 07-03-1996				
				DEC.	INCHES		CHK MRB 07-10-1996				
				.X	±.1		APPD GK 07-10-1998				
				.XX	±.02		SCALE 5=8				
				.XXX	±.005		REF				
2	REDRAWN ON CADD, NO CHANGES	PGK 07-10-1996	.XXXX	±.0005	MAT'L.	FMF					
NO.	REVISION	BY & DATE	CHK	ANG	±7'30"	FINISH	PREV				
THIS DRAWING IN DESIGN AND DETAIL IS OUR PROPERTY AND MUST NOT BE USED EXCEPT IN CONNECTION WITH OUR WORK ALL RIGHTS OF DESIGN AND INVENTION ARE RESERVED THIS IS AN ELECTRONICALLY GENERATED DOCUMENT - DO NOT SCALE THIS PRINT				RFP	CAD FILE 102005		SIZE	DRAWING NO.	PAGE	OF	REV.
				DIST	WP	A	102005-7				2



Uncontrolled Copy

\*\* Subject to change without notice.