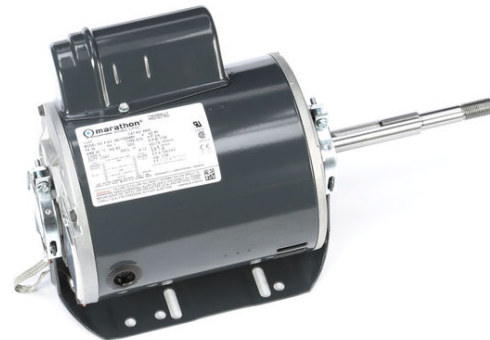


PRODUCT INFORMATION PACKET

marathon[®]
Motors

Model No: 056C17D5346
Catalog No: X603
3/4,1725,DP,56,1/60/115/208-230
Other Purpose



Regal and Marathon are trademarks of Regal Beloit Corporation or one of its affiliated companies.
©2018 Regal Beloit Corporation, All Rights Reserved. MC017097E

REGAL[®]



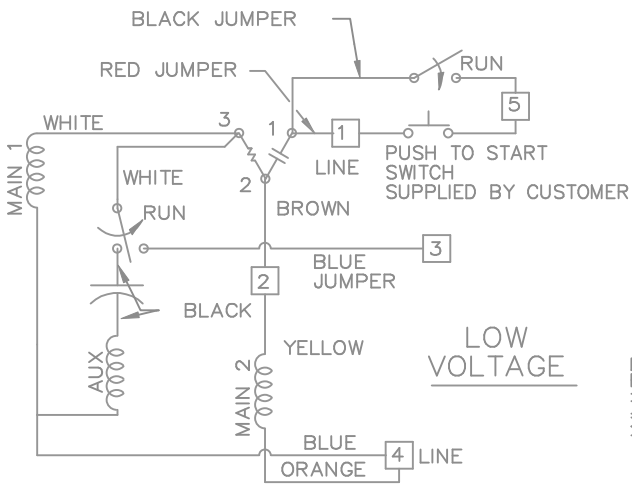
Nameplate Specifications

Output HP	0.75 Hp	Output KW	0.56 kW
Frequency	60 Hz	Voltage	115/208-230 V
Current	12.0/5.8-6.0 A	Speed	1725 rpm
Service Factor	1.25	Phase	1
Efficiency	66 %	Duty	Continuous
Insulation Class	B	Design Code	NO DESIGN CODE
KVA Code	K	Frame	56
Enclosure	Drip Proof	Overload Protector	Automatic
Ambient Temperature	40 °C	Drive End Bearing Size	6205
Opp Drive End Bearing Size	6205	UL	Recognized
CSA	Y	CE	Y
IP Code	12		

Technical Specifications

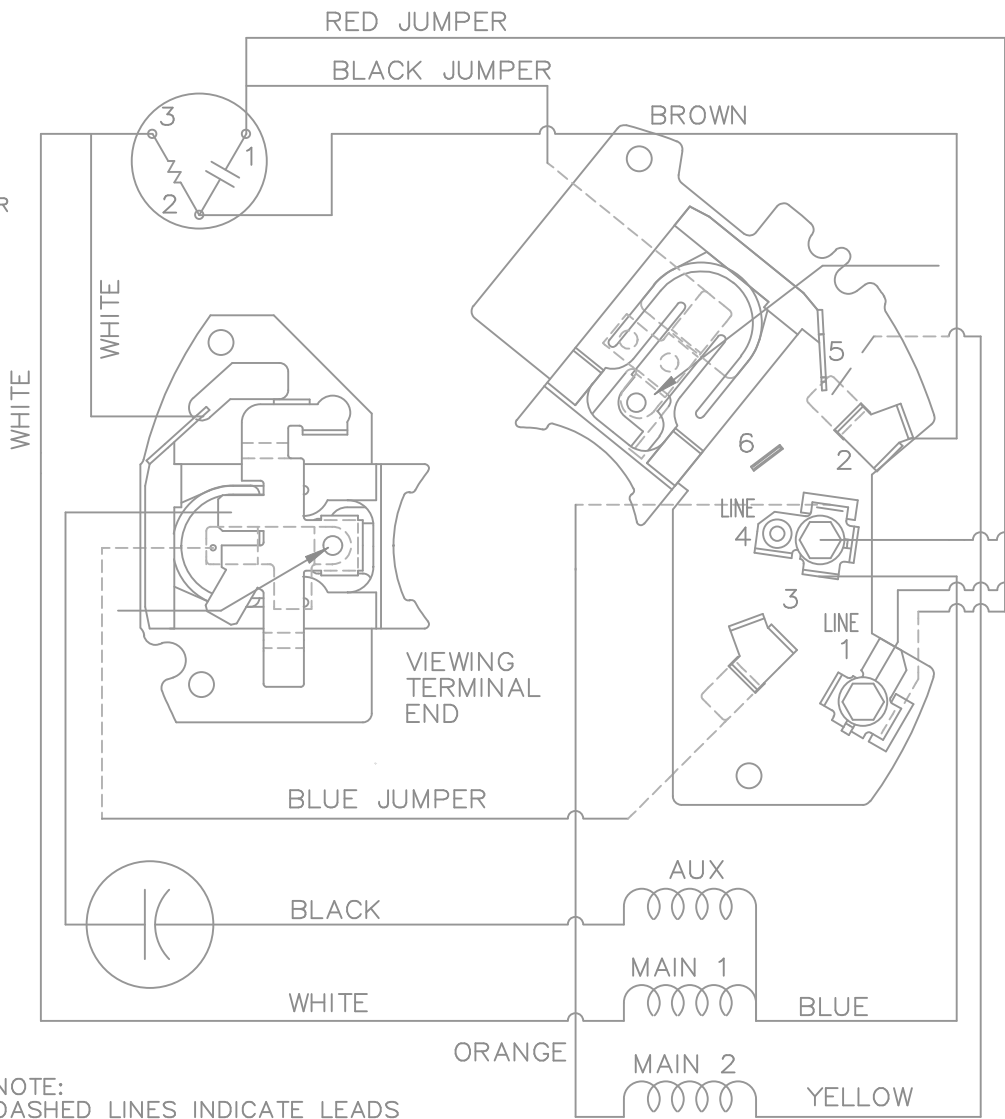
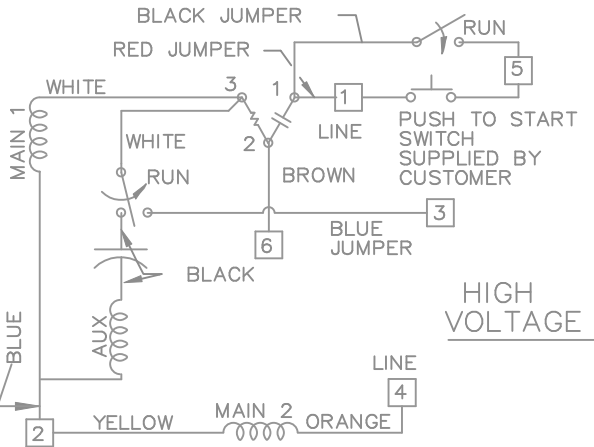
Electrical Type	Capacitor Start Induction Run	Starting Method	Across The Line
Poles	4	Rotation	Fixed Counterclockwise
Mounting	Resilient Base	Motor Orientation	Horizontal
Drive End Bearing	Ball	Opp Drive End Bearing	Ball
Frame Material	Rolled Steel	Shaft Type	Single Special Extension
Overall Length	15.1 in	Frame Length	7.06 in
Shaft Diameter	0.625 in	Shaft Extension	5.66 in
Assembly/Box Mounting	F1 Only		
Outline Drawing	B-100233-706	Connection Diagram	102013-1

This is an uncontrolled document once printed or downloaded and is subject to change without notice. Date Created: 07/02/2018



AT MOTOR RUNNING CONDITION CONTACTS ARE:

- NORMALLY CLOSED BETWEEN PROTECTOR AND BLUE JUMPER
- NORMALLY OPEN BETWEEN PROTECTOR AND CAPACITOR



NOTE: DASHED LINES INDICATE LEADS CONNECTED TO MOTOR SIDE OF SWITCH

AT MOTOR RUNNING CONDITION NORMALLY CLOSED CONTACTS BETWEEN TERMINAL 5 AND BLACK JUMPER

CONN. INSTRUCTIONS

- 1) TYPE OF CONNECTION
 - DUAL VOLTAGE
 - NON REVERSIBLE CCW-OPE
 - CAPACITOR START
 - OVERLOAD PROTECTOR
 - TWO RUN CONTACTS FOR CONTROL LEADS TERM. 3 AND 5
- 2) LOW VOLTAGE SHOWN
 - FOR HIGH VOLTAGE PLACE BROWN TERM 2 TO TERM 6 AND BLUE TERM 4 TO TERM 2
- 3) CAUTION
 - LINE VOLTAGE APPEARS BETWEEN TERM 4 AND TERMS 3 OR 5 WHEN MOTOR IS AT RUNNING SPEED

7	ORANGE LEAD WAS TO FRONT OF SWITCH CN 12029	BW 07-02-1990	TOLERANCES UNLESS SPECIFIED			DRAWN PR 02-24-1987			
6	ORANGE LEAD WAS TO BACK SIDE OF SWITCH CN 11133	ML 07-17-1989	DEC.	INCHES		CHK FG 02-24-1987			
5	REVISED CAUTION NOTE CN 10514	BW 01-24-1989	.X	±.1		APPD DRN 05-22-1987			
4	CLARIFY LOW & HIGH VOLTAGE	ML 03-28-1988	.XX	±.02	TITLE CONNECTION DIAGRAM	SCALE			
3	TERM NO. 5 CLARIFIED	GK 09-03-1987	.XXX	±.005	56-140 FR. - DUAL VOLTAGE CONTROL	REF			
2	RED WAS ORANGE, WHITE WAS BLACK CN 8419	DP 05-27-1987	.XXXX	±.0005	MAT'L.	FMF			
NO.	REVISION	BY & DATE	CHK	ANG	FINISH	PREV			
THIS DRAWING IN DESIGN AND DETAIL IS OUR PROPERTY AND MUST NOT BE USED EXCEPT IN CONNECTION WITH OUR WORK ALL RIGHTS OF DESIGN AND INVENTION ARE RESERVED THIS IS AN ELECTRONICALLY GENERATED DOCUMENT - DO NOT SCALE THIS PRINT			RFP		CAD FILE 102013-1	SIZE A	DRAWING NO. 102013-1	PAGE OF	REV. 7
			DIST	WP					

