

# PRODUCT INFORMATION PACKET

**marathon**<sup>®</sup>  
Motors

Model No: 056C17D2113  
Catalog No: B608  
1/2,1725,DP,56,1/60/277  
Fan and Blower



Regal and Marathon are trademarks of Regal Beloit Corporation or one of its affiliated companies.  
©2018 Regal Beloit Corporation, All Rights Reserved. MC017097E

**REGAL**<sup>®</sup>

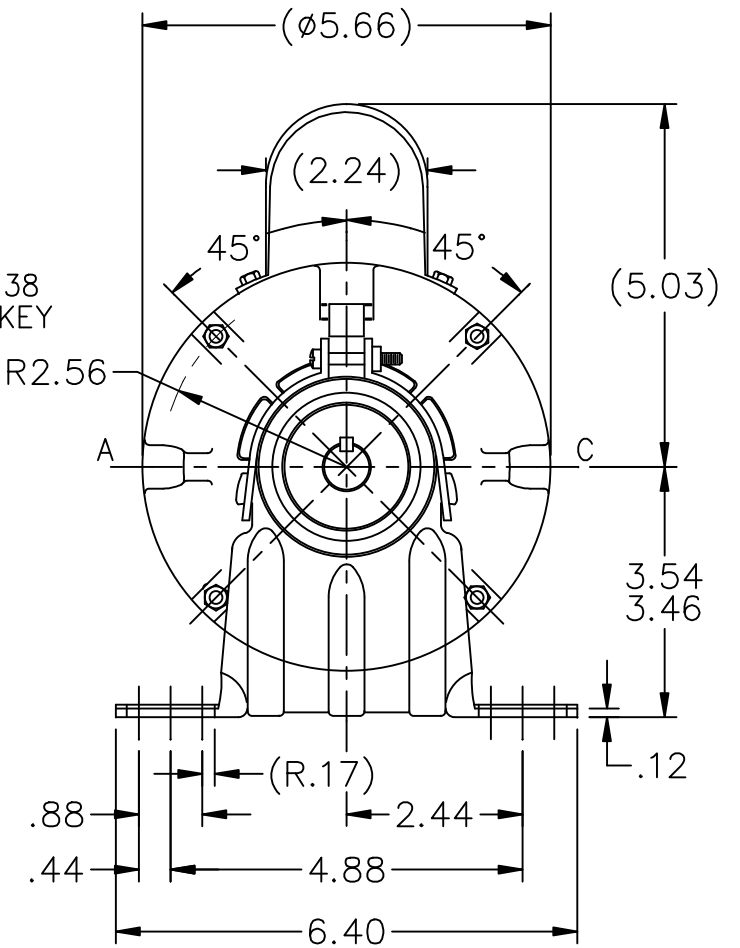
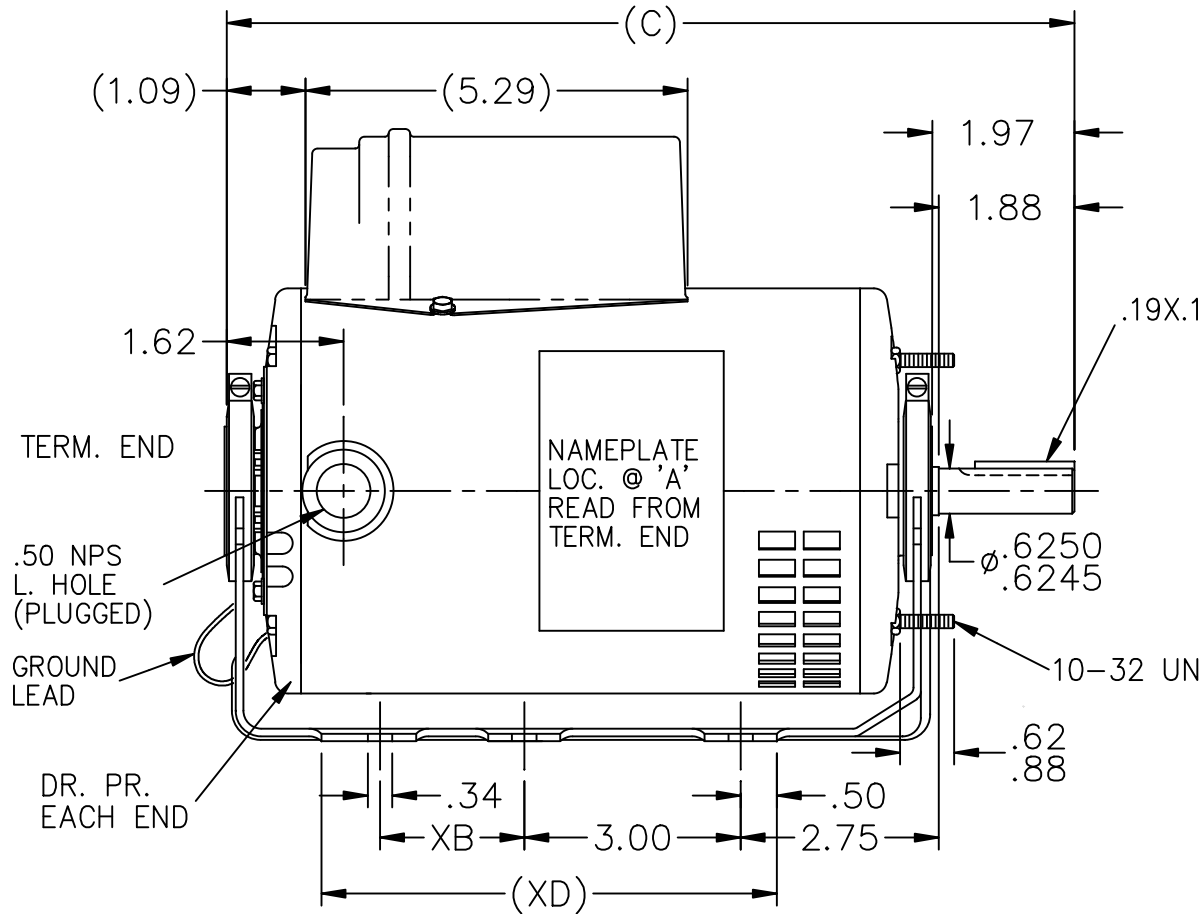
### Nameplate Specifications

Output HP	<b>0.50 Hp</b>	Output KW	<b>0.37 kW</b>
Frequency	<b>60 Hz</b>	Voltage	<b>277 V</b>
Current	<b>3.6 A</b>	Speed	<b>1725 rpm</b>
Service Factor	<b>1.25</b>	Phase	<b>1</b>
Efficiency	<b>66 %</b>	Duty	<b>Continous</b>
Insulation Class	<b>B</b>	Design Code	<b>NO DESIGN CODE</b>
KVA Code	<b>L</b>	Frame	<b>56</b>
Enclosure	<b>Drip Proof</b>	Overload Protector	<b>No</b>
Ambient Temperature	<b>40 °C</b>	Drive End Bearing Size	<b>6203</b>
Opp Drive End Bearing Size	<b>6203</b>	UL	<b>Recognized</b>
CSA	<b>Y</b>	CE	<b>N</b>
IP Code	<b>22</b>		


### Technical Specifications

Electrical Type	<b>Capacitor Start Induction Run</b>	Starting Method	<b>Across The Line</b>
Poles	<b>4</b>	Rotation	<b>Selective Counterclockwise</b>
Mounting	<b>Resilient Base - Extended Studs</b>	Motor Orientation	<b>Horizontal</b>
Drive End Bearing	<b>Ball</b>	Opp Drive End Bearing	<b>Ball</b>
Frame Material	<b>Rolled Steel</b>	Shaft Type	<b>T</b>
Overall Length	<b>11.72 in</b>	Frame Length	<b>7.75 in</b>
Shaft Diameter	<b>0.625 in</b>	Shaft Extension	<b>1.97 in</b>
Assembly/Box Mounting	<b>F1 Only</b>		
Outline Drawing	<b>A-SS75534-775</b>	Connection Diagram	<b>A-EE9007DR</b>

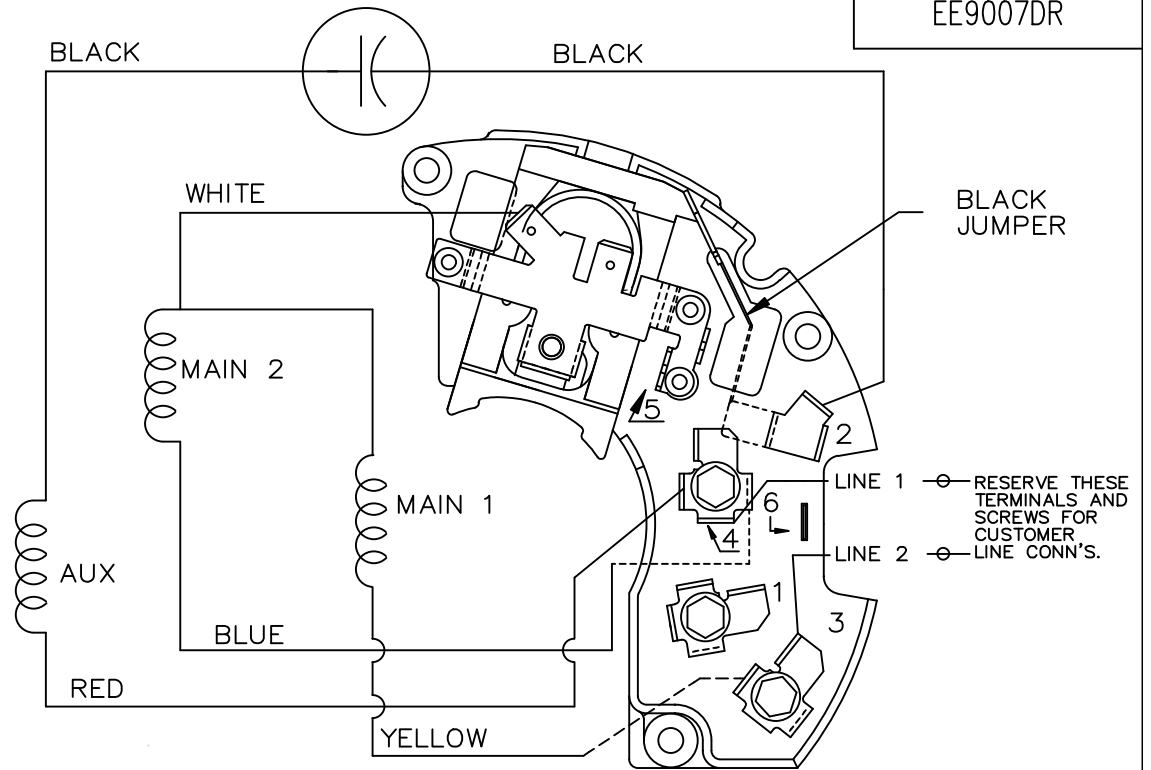
**This is an uncontrolled document once printed or downloaded and is subject to change without notice. Date Created: 07/02/2018**



DASH	XB	XD	C
675	-	5.31	10.72
700	-	5.50	10.97
775	2.00	6.31	11.72

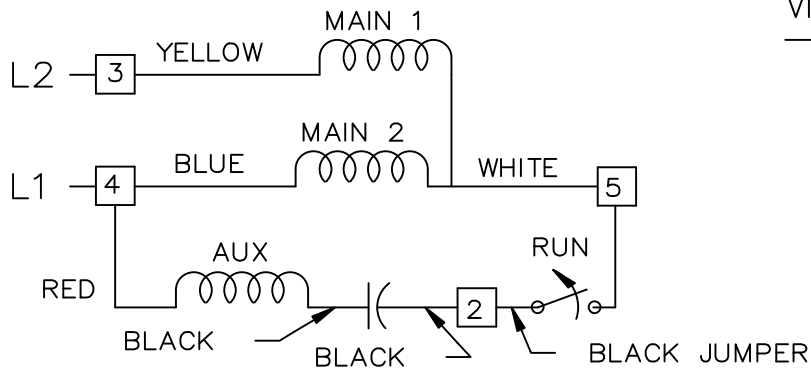
			TOLERANCES UNLESS SPECIFIED			DRAWN RM 3/11/1992	
			DEC.	INCHES		CHK ML 3/11/1992	APPD GK 3/11/1992
			.X	±.1	TITLE OUTLINE	SCALE	3=8
3	ADDED DASH 675 FOR MU96889	DWH 8/17/2010	.XX	±.03		REF	
2	UPDATED DRAWING	TJW 05/07/2007	.XXX	±.005	MAT'L.	FMF	
1	NEW DRAWING 3850091	RM 3/20/1992	.XXXX	±.0005	FINISH	PREV	
NO.	REVISION	BY & DATE	CHK	ANG	±'	ANG	
			RFP			CAD FILE	SS75534
			DIST	WP		SIZE	A
THIS DRAWING IN DESIGN AND DETAIL IS OUR PROPERTY AND MUST NOT BE USED EXCEPT IN CONNECTION WITH OUR WORK ALL RIGHTS OF DESIGN AND INVENTION ARE RESERVED THIS IS AN ELECTRONICALLY GENERATED DOCUMENT - DO NOT SCALE THIS PRINT						DRAWING NO.	SS75534
						PAGE	1 OF 1
						REV.	3

8/17/2010 11:34:26 AM




SINGLE HIGH VOLTAGE CAPACITOR START  
REVERSIBLE ON TERM BOARD  
NO OVERLOAD PROTECTION

VIEWING TERM END



CCW ROTATION SHOWN

TO REVERSE ROTATION INTERCHANGE  
RED LEAD WITH BLACK LEAD

		TOLERANCES UNLESS SPECIFIED		 <b>REGAL-BELOIT CORPORATION</b>		DRAWN TJW 5/26/2010			
		DEC.	INCHES			CHK	CTO 5/26/2010		
		.X	± -	TITLE CONNECTION DIAGRAM 48 FR. SINGLE VOLTAGE REVERSIBLE		APPD EH 5/26/2010			
		.XX	± -			SCALE			
		.XXX	± -			REF			
		.XXXX	± -			FMF ISAAC10-2134			
NO.	REVISION	BY & DATE	CHK	ANG	FINISH	PREV			
THIS DRAWING IN DESIGN AND DETAIL IS OUR PROPERTY AND MUST NOT BE USED EXCEPT IN CONNECTION WITH OUR WORK ALL RIGHTS OF DESIGN AND INVENTION ARE RESERVED THIS IS AN ELECTRONICALLY GENERATED DOCUMENT - DO NOT SCALE THIS PRINT		RFP 5/26/2010			CAD FILE EE9007DR	SIZE A	DRAWING NO. EE9007DR	PAGE OF	REV.



Uncontrolled Copy

\*\* Subject to change without notice.