

PRODUCT INFORMATION PACKET

marathon[®]
Motors

Model No: 056B64DRS40001A1
Catalog No: C476A
1-1/3,1725/1425,DP,56,1/60/208-230
Fan and Blower



Regal and Marathon are trademarks of Regal Beloit Corporation or one of its affiliated companies.

©2018 Regal Beloit Corporation, All Rights Reserved. MC017097E

REGAL[®]

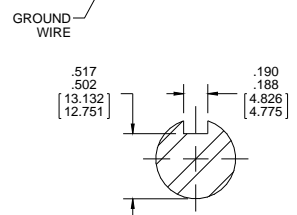
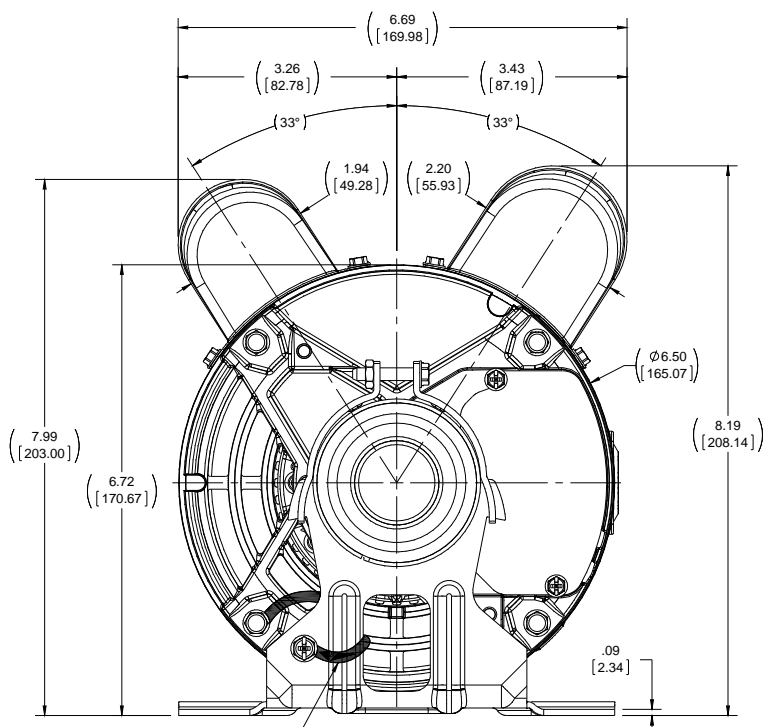
Nameplate Specifications

Output HP	1,0.33 Hp	Output KW	0.75 kW
Frequency	60 Hz	Voltage	208-230 V
Current	5.0-4.7,3.7-3.9 A	Speed	1725,1140 rpm
Service Factor	1.15	Phase	1
Efficiency	75.5 %	Duty	Continuous
Insulation Class	B	Design Code	2VT
KVA Code	K	Frame	56
Enclosure	Drip Proof	Overload Protector	No
Ambient Temperature	40 °C	Drive End Bearing Size	6203
Opp Drive End Bearing Size	6203	UL	Recognized
CSA	Y	CE	Y
IP Code	22		

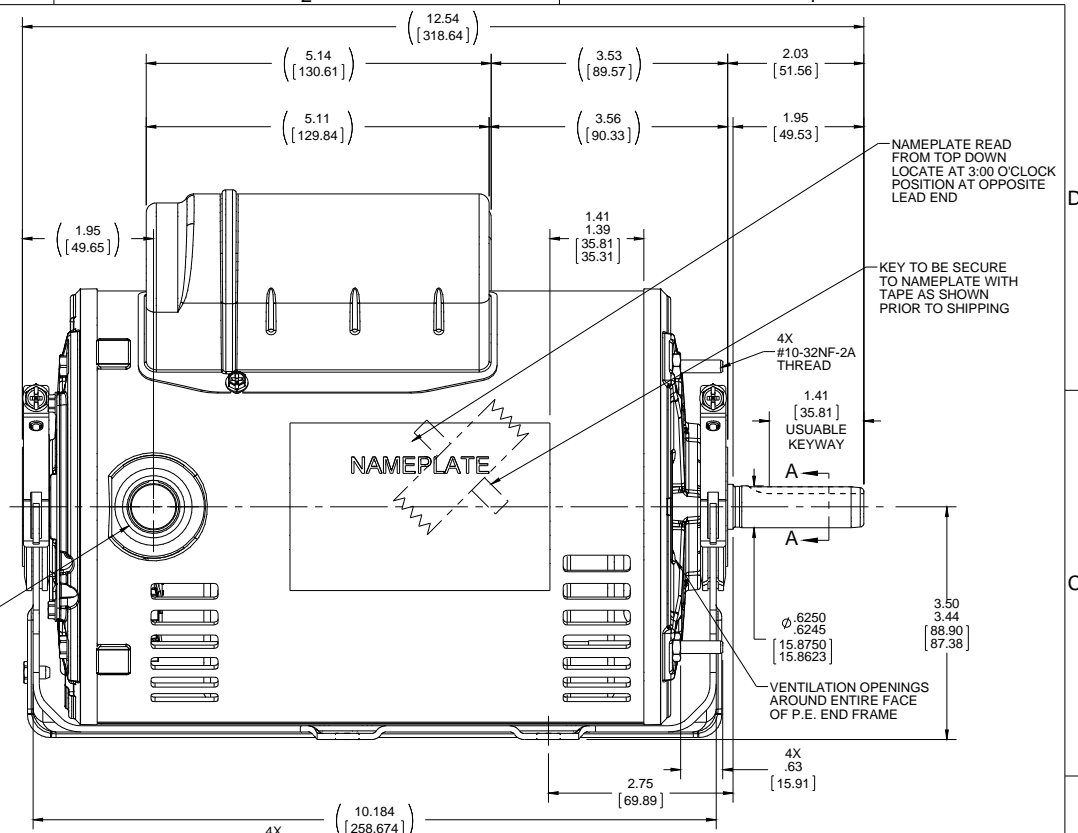
Technical Specifications

Electrical Type	Capacitor Start Capacitor Run	Starting Method	Across The Line
Poles	4//6	Rotation	Selective Counterclockwise
Mounting	Resilient Base	Motor Orientation	HORIZONTAL
Drive End Bearing	BALL	Opp Drive End Bearing	BALL
Frame Material	Rolled Steel	Shaft Type	NEMA 56
Overall Length	12.54 in	Frame Length	8.15 in
Shaft Diameter	0.625 in	Shaft Extension	2.03 in
Assembly/Box Mounting	F1 ONLY		
Outline Drawing	OL56100061-001	Connection Diagram	CDBM101

This is an uncontrolled document once printed or downloaded and is subject to change without notice. Date Created: 10/30/2018



THREADED HOLE
1/2-14 NPSM
PLUGGED



NAMEPLATE READ
FROM TOP DOWN
LOCATE AT 3:00 O'CLOCK
POSITION AT OPPOSITE
LEAD END

KEY TO BE SECURE
TO NAMEPLATE WITH
TAPE AS SHOWN
PRIOR TO SHIPPING

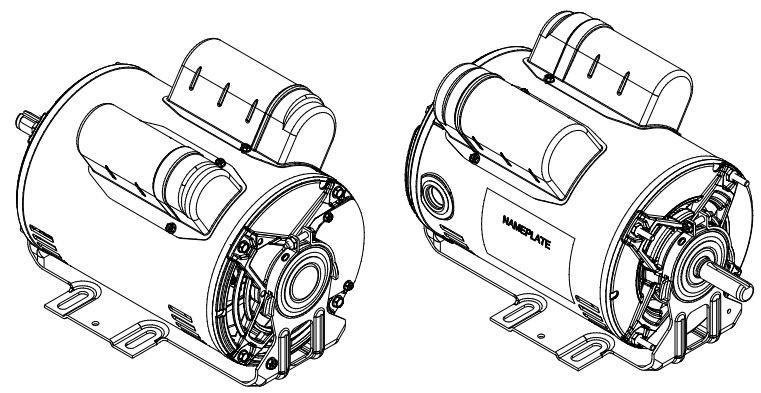
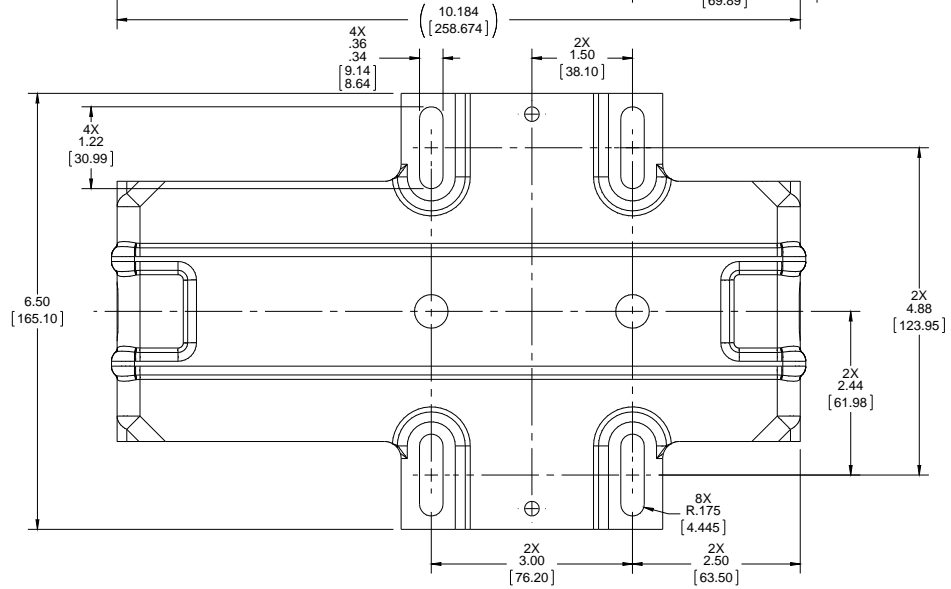
4X
#10-32NF-2A
THREAD

1.41
[35.81]
USABLE
KEYWAY

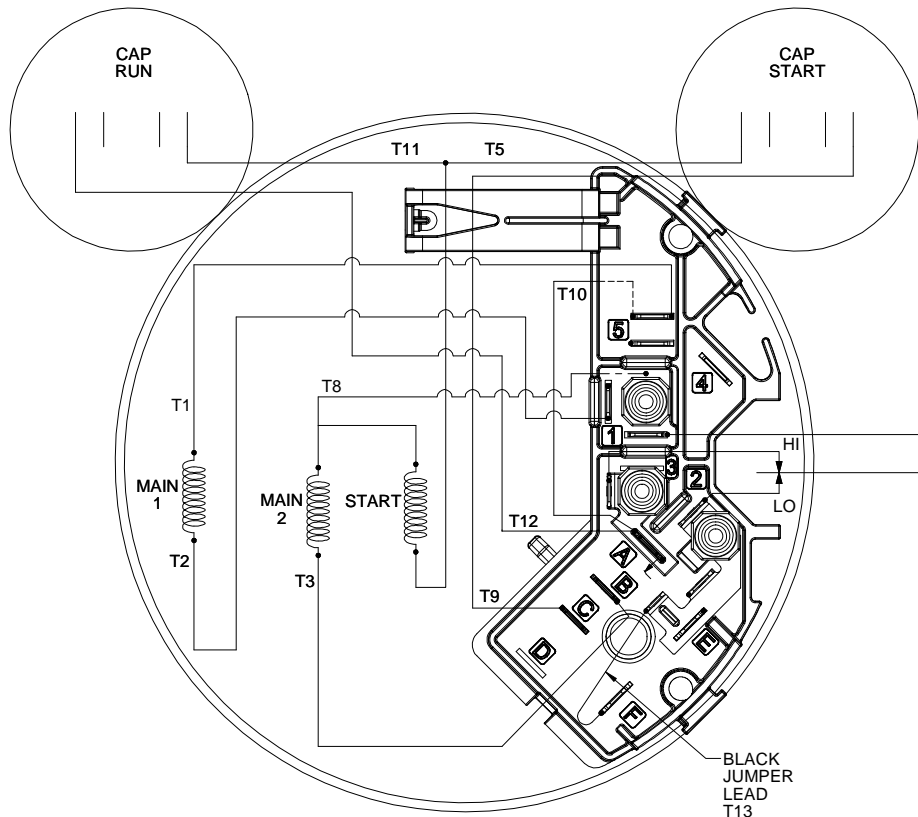
Ø .6250
.6245
[15.8750]
[15.8623]

VENTILATION OPENINGS
AROUND ENTIRE FACE
OF P.E. END FRAME

4X
.63
[15.91]



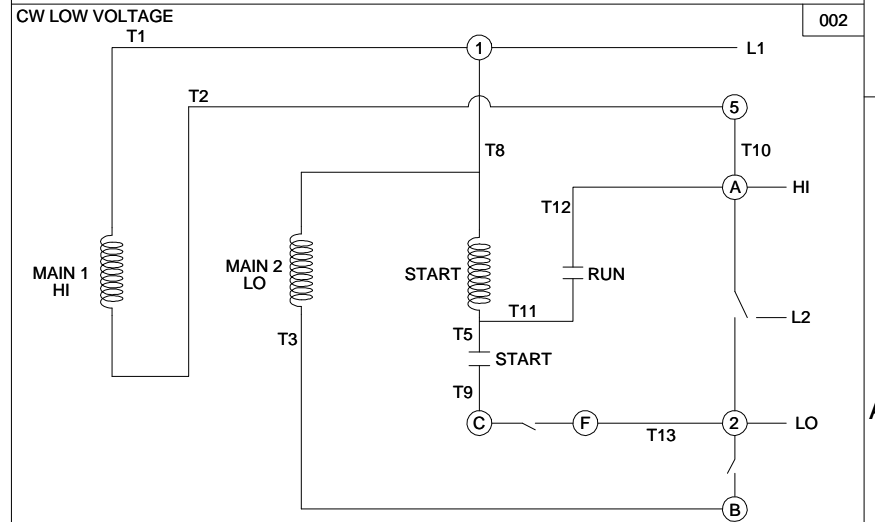
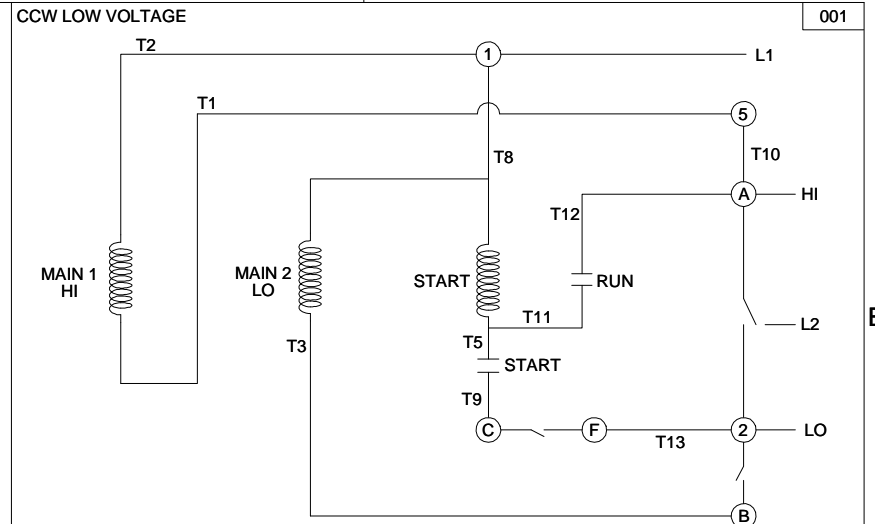
DRAWING REVISION B	REVISION BY C. CONTRERAS	DATE 06-30-2016	TOLERANCES UNLESS OTHERWISE SPECIFIED: DEC. INCH mm ANGLE .X ±0.1 [±2.5] ±0.5° .XX ±0.03 [±0.76] .XXX ±0.005 [±0.127] .XXXX ±0.0005 [±0.0127] REMOVE BURRS & BREAK SHARP EDGES: .003/.015 [0.076/.381] X .45° CORNER FILLETS: R.02 [51] MACHINED SURFACES: .125 / 3.2 INCH V mm V mm SHOWN IN [BRACKETS]	DRAWN BY D. VALENCIANO	DATE 04-18-2016	DESCRIPTION OUTLINE 56FR, DP, 1-PHASE
ECO ECO-0104819	APPROVED BY C. CONTRERAS	DATE 06-30-2016	UPDATE NAMEPLATE LOCATION COPYRIGHT REGAL BELOIT AMERICA, INC. ALL RIGHTS RESERVED. PROPRIETARY AND CONFIDENTIAL INFORMATION. THIS DOCUMENT IS THE PROPERTY OF REGAL BELOIT AMERICA, INC. (OWNER) AND CONTAINS OWNER'S PROPRIETARY INFORMATION. ANY PERSON, CORPORATION OR OTHER FIRM RECEIVING IT IS DEEMED, BY RECEIVING IT, TO AGREE THAT IT, AND/OR ANY PART OF IT, SHALL NOT BE DISCLOSED TO ANY PERSON, CORPORATION OR OTHER ENTITY, DUPLICATED, AND/OR USED, EXCEPT AS EXPRESSLY APPROVED IN WRITING IN ADVANCE BY OWNER. THIS DOCUMENT SHALL BE RETURNED TO OWNER UPON REQUEST. IT MAY BE SUBJECT TO CERTAIN RESTRICTIONS UNDER APPLICABLE EXPORT CONTROL LAWS AND REGULATIONS.	APPROVED BY J. ORTEGA	DATE 04-18-2016	MATERIAL SKCR49SN3010
THIRD ANGLE PROJECTION			SIZE C	DRAWING NUMBER OL56100061-001	SHEET 1 OF 1	



CCW ROTATION-CAP START CAP RUN SINGLE VOLTAGE DUAL SPEED.

NOTES:

1. TO REVERSE ROTATION INTERCHANGE (T1) AND (T2) LEADS.
2. SWITCH REF. 10003284-001-001
3. CONNECTION DIAGRAM NAMEPLATE DD10031-001



DRAWING REVISION A		REVISION BY G. RODRIGUEZ	DATE 07-01-2016	TOLERANCES UNLESS OTHERWISE SPECIFIED: DEC. INCH mm ANGLE ±0.5° -X ±0.1 [+2.5] .XX ±0.01 [+0.25] .XXX ±0.005 [+0.127] .XXXX ±0.0005 [+0.0127] REMOVE BURRS & BREAK SHARP EDGES: .003/.015 [.076/.381] CORNER FILLETS: .02 [.51] MACHINED SURFACES: 125/3.2 INCH/mm	DRAWN BY G. RODRIGUEZ	Regal Beloit America, Inc.
ECO ECO-0149482		APPROVED BY R. VALENZUELA	DATE 07-01-2016		DATE 07-01-2016	
ECO DESCRIPTION NEW RELEASE					APPROVED BY R. VALENZUELA	
<small>COPYRIGHT REGAL BELOIT AMERICA, INC. ALL RIGHTS RESERVED. PROPRIETARY AND CONFIDENTIAL INFORMATION - THIS DOCUMENT IS THE PROPERTY OF REGAL BELOIT AMERICA, INC. (OWNER) AND CONTAINS OWNER'S PROPRIETARY INFORMATION. ANY PERSON, CORPORATION OR OTHER FIRM RECEIVING IT IS DEEMED, BY RECEIVING IT, TO AGREE THAT IT, AND/OR ANY PART OF IT, SHALL NOT BE DISCLOSED TO ANY PERSON, CORPORATION OR OTHER ENTITY, DUPLICATED, AND/OR USED, EXCEPT AS EXPRESSLY APPROVED IN WRITING IN ADVANCE BY OWNER. THIS DOCUMENT SHALL BE RETURNED TO OWNER UPON REQUEST. IT MAY BE SUBJECT TO CERTAIN RESTRICTIONS UNDER APPLICABLE EXPORT CONTROL LAWS AND REGULATIONS.</small>					DATE 07-01-2016	
					REFERENCE CDCD102	MATERIAL
					THIRD ANGLE PROJECTION	PROCESS/FINISH
					SIZE B	DRAWING NUMBER CDBM101
						SHEET 1 OF 1

MARATHON ELECTRIC CORPORATION

TYPICAL PERFORMANCE CURVE for AC MOTOR

Customer WW Grainger

Curve at 230

Volts

HP 1&0.33

PHASE 1

Model No 56B64DRS40001A1

60

HZ

VOLTS 208-230&208-230

1

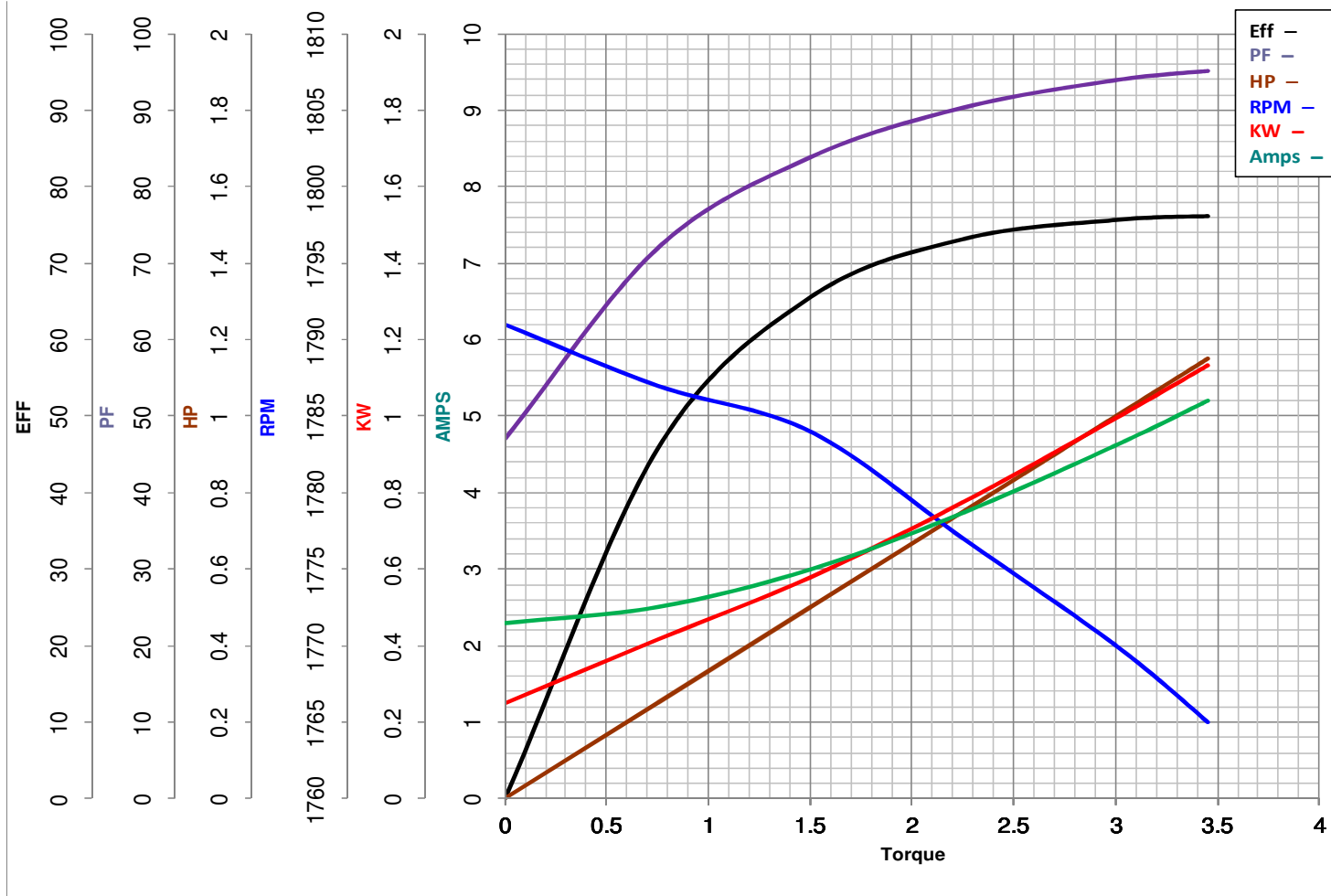
HP

Catalog No C476A

HIGH SPEED

HZ 60&60

RPM 1725&1140



Torque in Lb.Ft

FL TORQUE 3 Lb.Ft
 BD TORQUE 7.4 Lb.Ft
 LR TORQUE 5.96 Lb.Ft

FL AMPS 5.0-4.7
 PU TORQUE 5.5 Lb.Ft
 LR AMPS 35.89

WINDING NB56(4-6)5-2

Prepared By BHARGAVI

Date 8/27/2018

MARATHON ELECTRIC CORPORATION

TYPICAL PERFORMANCE CURVE for AC MOTOR

Customer WW Grainger

Curve at

230

Volts

HP 1&0.33

PHASE 1

Model No 56B64DRS40001A1

60

HZ

VOLTS 208-230&208-230

0.33

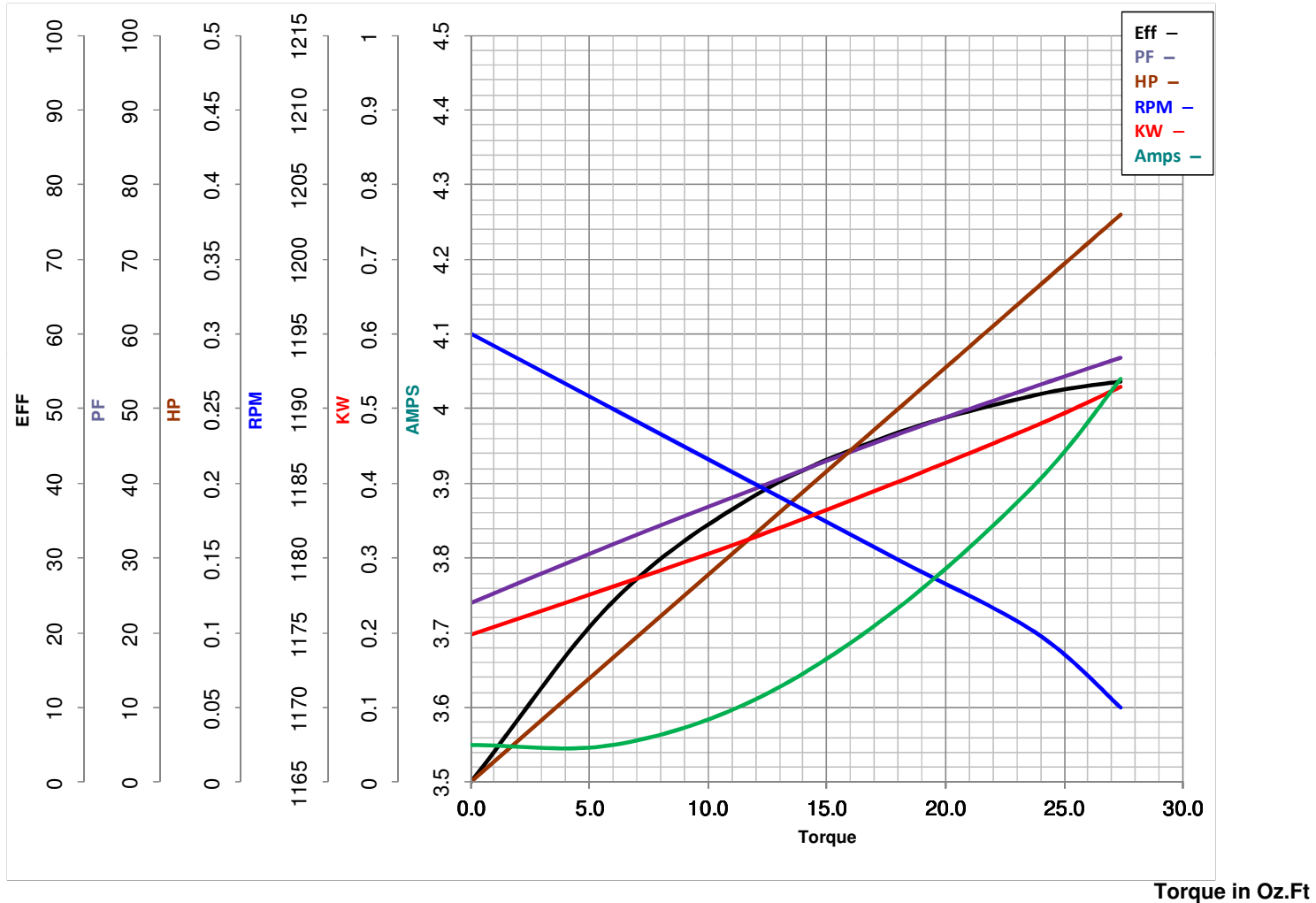
HP

Catalog No C476A

LOW SPEED

HZ 60&60

RPM 1725&1140



FL TORQUE 23.81 Oz.Ft
 BD TORQUE 55.4 Oz.Ft
 LR TORQUE 94.56 Oz.Ft

FL AMPS 5.0-4.7
 PU TORQUE 85.0 Oz.Ft
 LR AMPS 35.2

WINDING NB56(4-6)5-2

Prepared By BHARGAVI

Date 8/27/2018