

# PRODUCT INFORMATION PACKET

**marathon**<sup>®</sup>  
Motors

Model No: 056B34F5333  
Catalog No: T019  
2,3450,TEFC,56H,1/60/115/230  
Power Tools



Regal and Marathon are trademarks of Regal Beloit Corporation or one of its affiliated companies.

©2018 Regal Beloit Corporation, All Rights Reserved. MC017097E

**REGAL**<sup>®</sup>



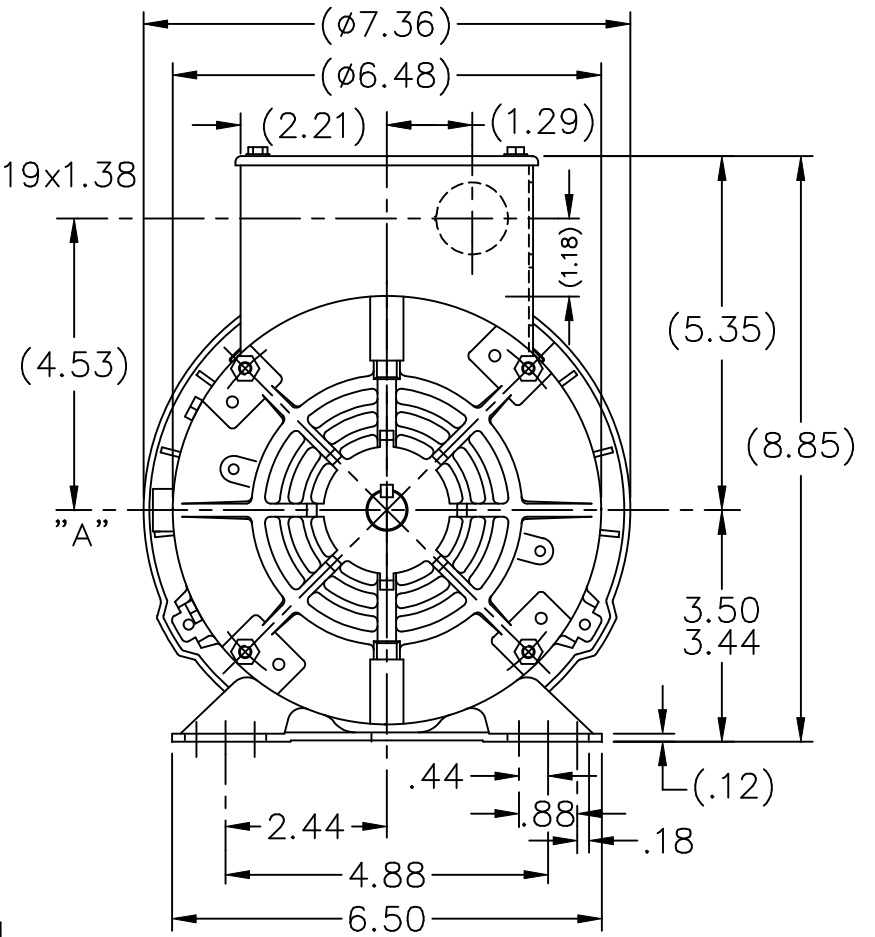
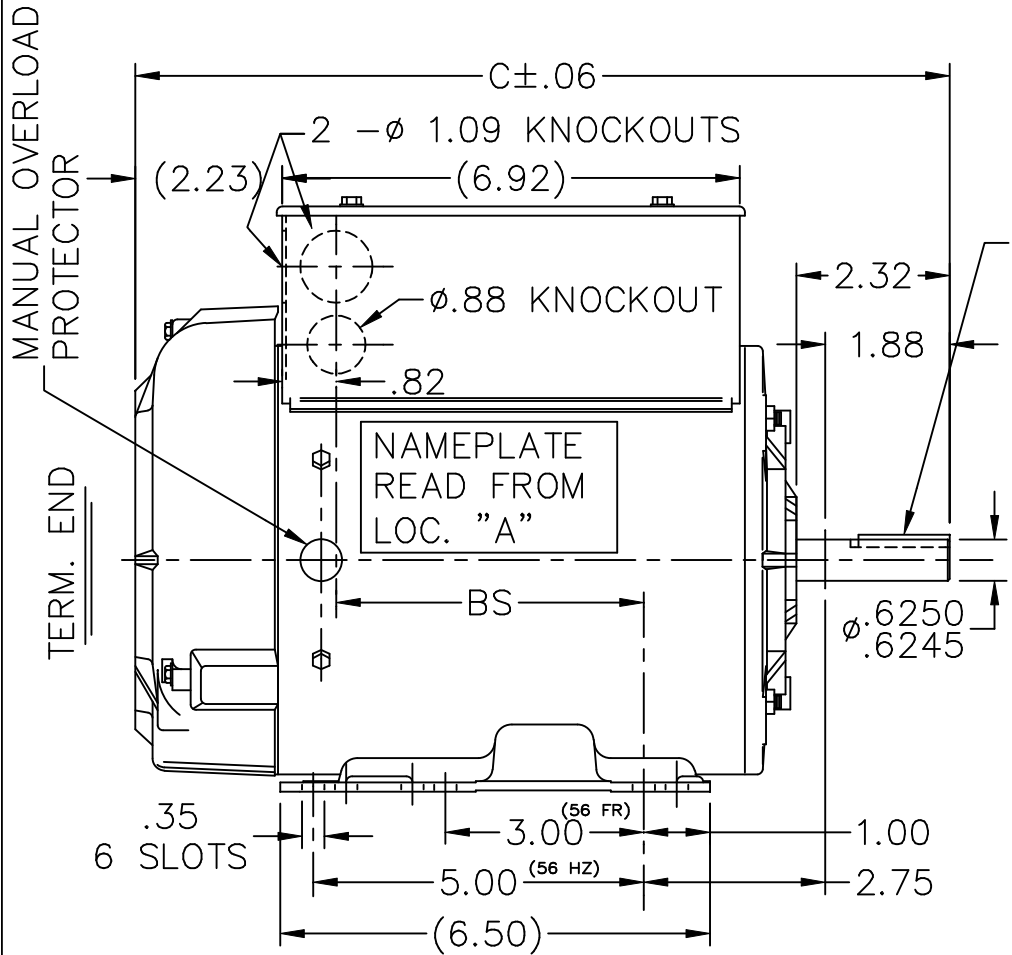
### Nameplate Specifications

Output HP	2 Hp	Output KW	1.5 kW
Frequency	60 Hz	Voltage	115/230 V
Current	17.5/8.7 A	Speed	3450 rpm
Service Factor	1.15	Phase	1
Efficiency	80.3 %	Duty	Continuous
Insulation Class	B	Design Code	L
KVA Code	J	Frame	56H
Enclosure	Totally Enclosed Fan Cooled	Overload Protector	Manual
Ambient Temperature	40 °C	Drive End Bearing Size	6203
Opp Drive End Bearing Size	6203	UL	Recognized ( Not Protector)
CSA	Y	CE	N
IP Code	43		

### Technical Specifications

Electrical Type	Capacitor Start Capacitor Run	Starting Method	Across The Line
Poles	2	Rotation	Selective Counterclockwise
Mounting	Rigid base	Motor Orientation	Horizontal
Drive End Bearing	Ball	Opp Drive End Bearing	Ball
Frame Material	Rolled Steel	Shaft Type	T
Overall Length	13.41 in	Shaft Diameter	0.625 in
Shaft Extension	1.88 in	Assembly/Box Mounting	F3
Outline Drawing	A-104359-806	Connection Diagram	102006-52

This is an uncontrolled document once printed or downloaded and is subject to change without notice. Date Created: 06/29/2018

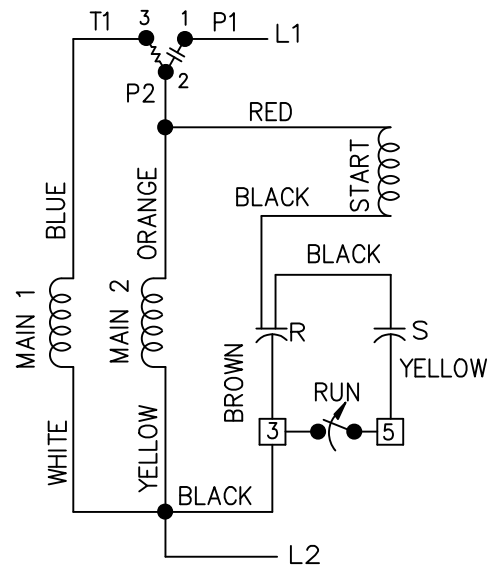


DASH	FRAME	C	BS	DASH	FRAME	C	BS
				806	56-80	13.41	5.65
656	56-65	11.91	4.15				
706	56-70	12.41	4.65				
756	56-75	12.91	5.15				

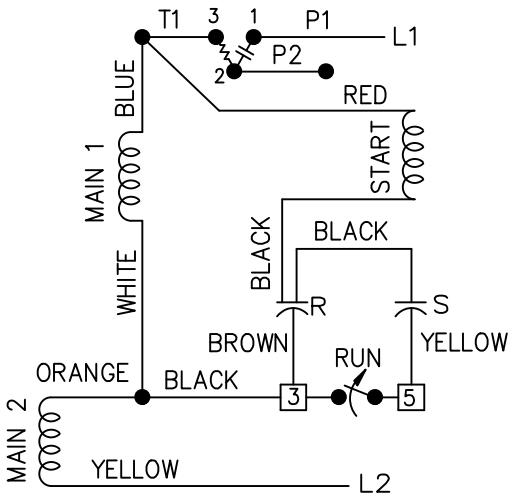
NO.	REVISION	BY & DATE	CHK	TOLERANCES UNLESS SPECIFIED	
				DEC.	INCHES
3	UPDATED DRAWING	RJW 03-29-2007	.XX	±.03	
2	REDRAWN IN AUTOCAD	TAT 06-24-2005	DRS	.XXX	±.005
1	NEW DRAWING CN 24300-176	DRS 09-29-1997		.XXXX	±.0005
				ANG	±7'30"

	<b>MARATHON ELECTRIC</b>	DRAWN DRS 09-29-1997 CHK ML 09-29-1997 APPD GK 09-29-1997
	TITLE OUTLINE 56 FR. - BB - TEFC - 1°	SCALE 11=32 REF FMF PREV
MAT'L. FINISH	CAD FILE 104359	SIZE A DRAWING NO. 104359 PAGE OF REV. 3

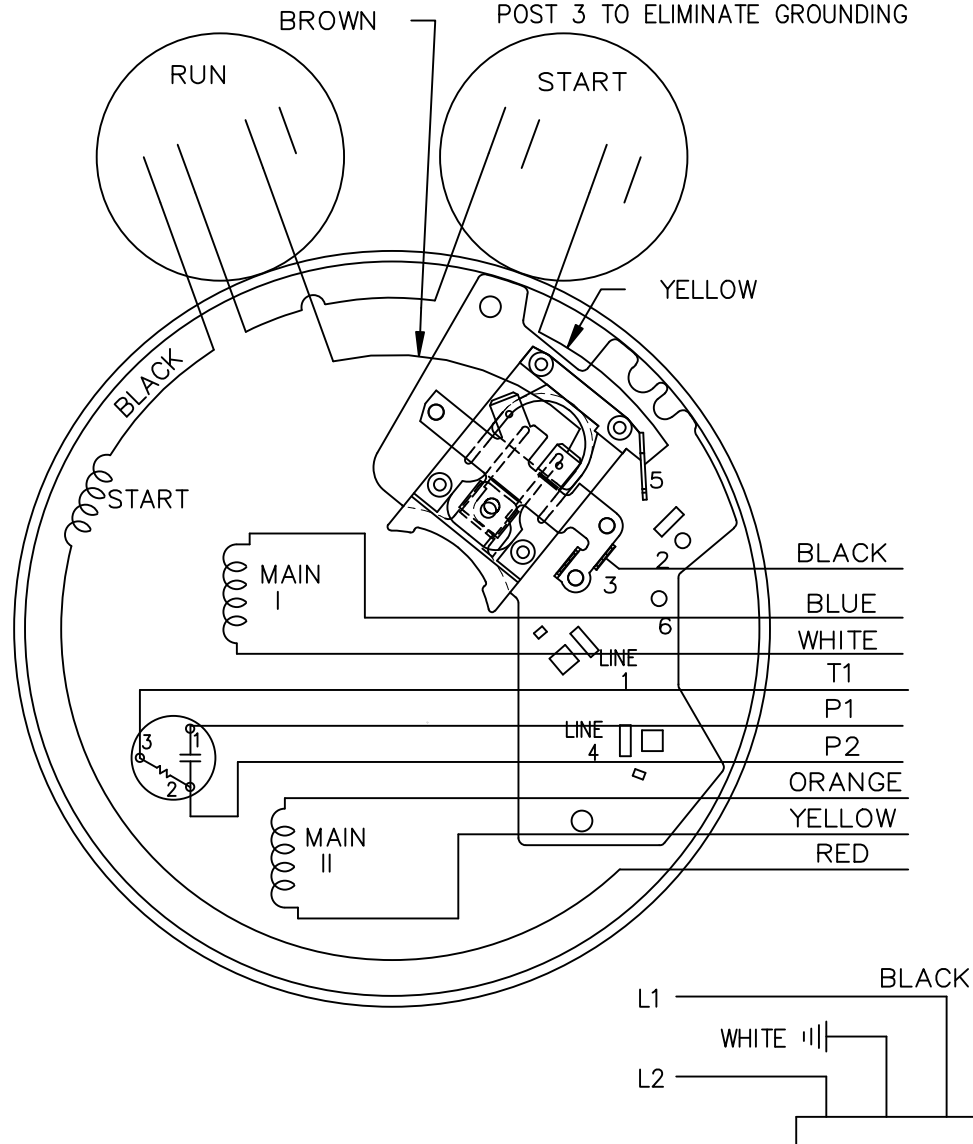
LOW VOLTAGE C.C.W.



HIGH VOLTAGE C.C.W.



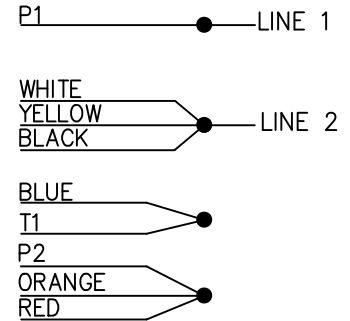
BROWN LEAD MAYBE CONNECTED ON POST 3 TO ELIMINATE GROUNDING



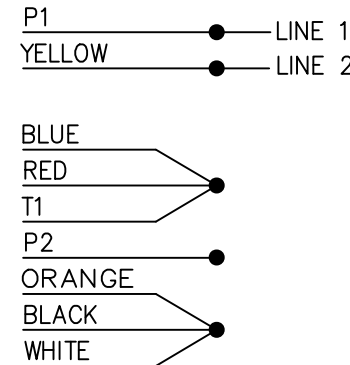
102006-52

DUAL VOLTAGE  
CAP START-CAP RUN  
OVERLOAD  
SELECT ROTATION

LOW VOLT. CCW ROT.



HIGH VOLT. CCW ROT.



FOR CW ROT. EITHER  
VOLTAGE INTERCHANGE  
RED WITH BLACK LEAD.

13	CHG'ED SWITCH TO OPEN WHEN RUNNING ISAAC 11-2715	KBB 06-23-2011	EH	TOLERANCES UNLESS SPECIFIED	
12	REMOVE 1,2,3 & 4 ON LOW & HIGH VOLT CN 31436	TJB 02-14-2002	DRS	DEC.	INCHES
11	REMOVE BRAKE VIEW CN 31436	TJB 01-30-2002	DRS	.X	±.1
10	ADDED BROW LEAD DETAIL NOTE CN 24300-323	BJW 02-28-2000		.XX	±.02
9	ADDED CORD VIEW MU20434	BLR 07-01-1998		.XXX	±.005
8	CAP LEAD COLORS REVISED CN 16210	AJS 08-29-1994		.XXXX	±.0005
NO.	REVISION	BY & DATE	CHK	ANG	±7'30"

	DRAWN ML 05-09-1992
	CHK GK 05-09-1992
	APPD FG 05-19-1992
	SCALE 5=8
TITLE CONNECTION DIAGRAM	REF
MAT'L.	FMF
FINISH	PREV

THIS DRAWING IN DESIGN AND DETAIL IS OUR PROPERTY AND MUST NOT BE USED EXCEPT IN CONNECTION WITH OUR WORK ALL RIGHTS OF DESIGN AND INVENTION ARE RESERVED THIS IS AN ELECTRONICALLY GENERATED DOCUMENT - DO NOT SCALE THIS PRINT		RFP	CAD FILE 102006-52	SIZE A	DRAWING NO. 102006-52	PAGE OF	REV. 13
		DIST WP					

6/23/2011 3:28:16 PM

Dealers Industrial Equipment -- Visit <https://DealersElectric.com> or call (908) 688-1966 for all of your electric motor & VFD needs!

CERTIFICATION DATA SHEET

Model#: 56B34F5333 D WINDING#: ZB237 NONE 3  
 CONN. DIAGRAM: 102006-52 ASSEMBLY: F3  
 OUTLINE: A-104359-806

TYPICAL MOTOR PERFORMANCE DATA

HP	KW	SYNC. RPM	F.L. RPM	FRAME	ENCLOSURE	KVA CODE	DESIGN
2	1.49	3600	3450	56H	TEFC	J	L

PH	Hz	VOLTS	FL AMPS	START TYPE	DUTY	INSL	S.F	AMB°C	ELEVATION
1	60	115/230	17.5/8.7	ACROSS THE LINE	CONTINUOUS	B3	1.15	40	3300

FULL LOAD EFF: -	3/4 LOAD EFF: 79.8	1/2 LOAD EFF: 74	GTD. EFF	ELEC. TYPE	NO LOAD AMPS
FULL LOAD PF: -	3/4 LOAD PF: 92.2	1/2 LOAD PF: 92	0	CAP START CAP RUN	4.4 / 2.2

F.L. TORQUE	LOCKED ROTOR AMPS	L.R. TORQUE	B.D. TORQUE	F.L. RISE°C
2.97 LB-FT	124.6 / 62.3	6.16 LB-FT -	7.14 LB-FT -	-

SOUND PRESSURE @ 3 FT.	SOUND POWER	ROTOR WK^2	MAX. WK^2	SAFE STALL TIME	STARTS /HOUR	APPROX. MOTOR WGT
0 dBA	10 dBA	- LB-FT^2	0 LB-FT^2	0 SEC.	0	- LBS.

\*\*\* SUPPLEMENTAL INFORMATION \*\*\*

DE BRACKET TYPE	ODE BRACKET TYPE	MOUNT TYPE	ORIENTATION	SEVERE DUTY	HAZARDOUS LOCATION	DRIP COVER	SCREENS	PAINT
STANDARD	BRAKE	RIGID	HORIZONTAL	FALSE	NONE	FALSE	NONE	GRAY (POWDER)

BEARINGS		GREASE	SHAFT TYPE	SPECIAL DE	SPECIAL ODE	SHAFT MATERIAL	FRAME MATERIAL
DE	OPE	POLYREX EM	T	NONE	NONE	1144 STRESSPROOF (C-223)	ROLLED STEEL
BALL	BALL						
6203	6203						

THERMO-PROTECTORS				THERMISTORS	CONTROL	SPACE /n HEATERS
THERMOSTATS	PROTECTORS	WDG RTDs	BRG RTDs			
NONE	MANUAL	NONE	NONE	NONE	FALSE	NONE VOLTS

If Inverter equals NONE, contact factory for further information

\*  
N  
O  
T  
E  
S  
\*

INVERTER TORQUE: NONE
INV. HP SPEED RANGE: NONE
ENCODER: NONE
NONE NONE
NONE NONE PPR
BRAKE: PROVISIONS FOR KIT NONE
NONE P/N NONE
NONE NONE
NONE FT-LB NONE V NONE Hz

DATE: 06/21/2017 09:26:26 AM  
 FORM 3531 REV.3 02/07/99  
 \*\* Subject to change without notice.