

# PRODUCT INFORMATION PACKET

**marathon**<sup>®</sup>  
Motors

Model No: 056B34F5332  
Catalog No: T017  
1-1/2,3450,TEFC,56,1/60/115/208-230  
Power Tools



Regal and Marathon are trademarks of Regal Beloit Corporation or one of its affiliated companies.

©2018 Regal Beloit Corporation, All Rights Reserved. MC017097E

**REGAL**<sup>®</sup>



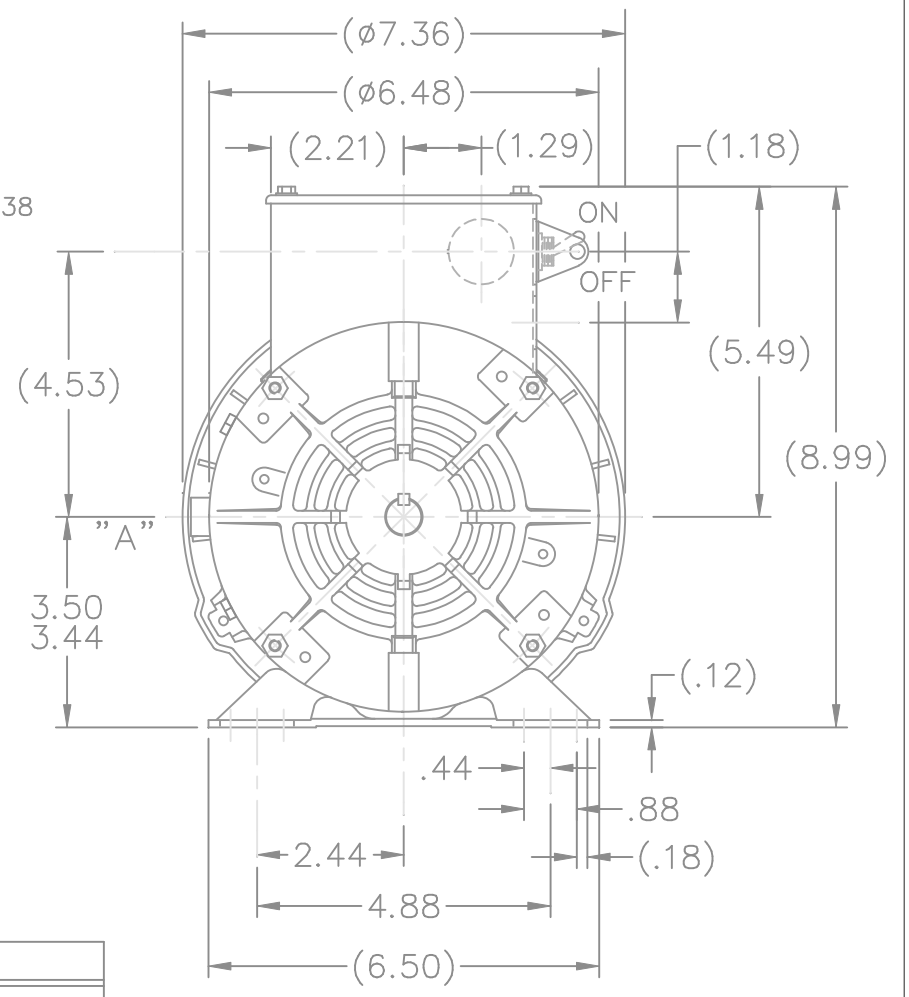
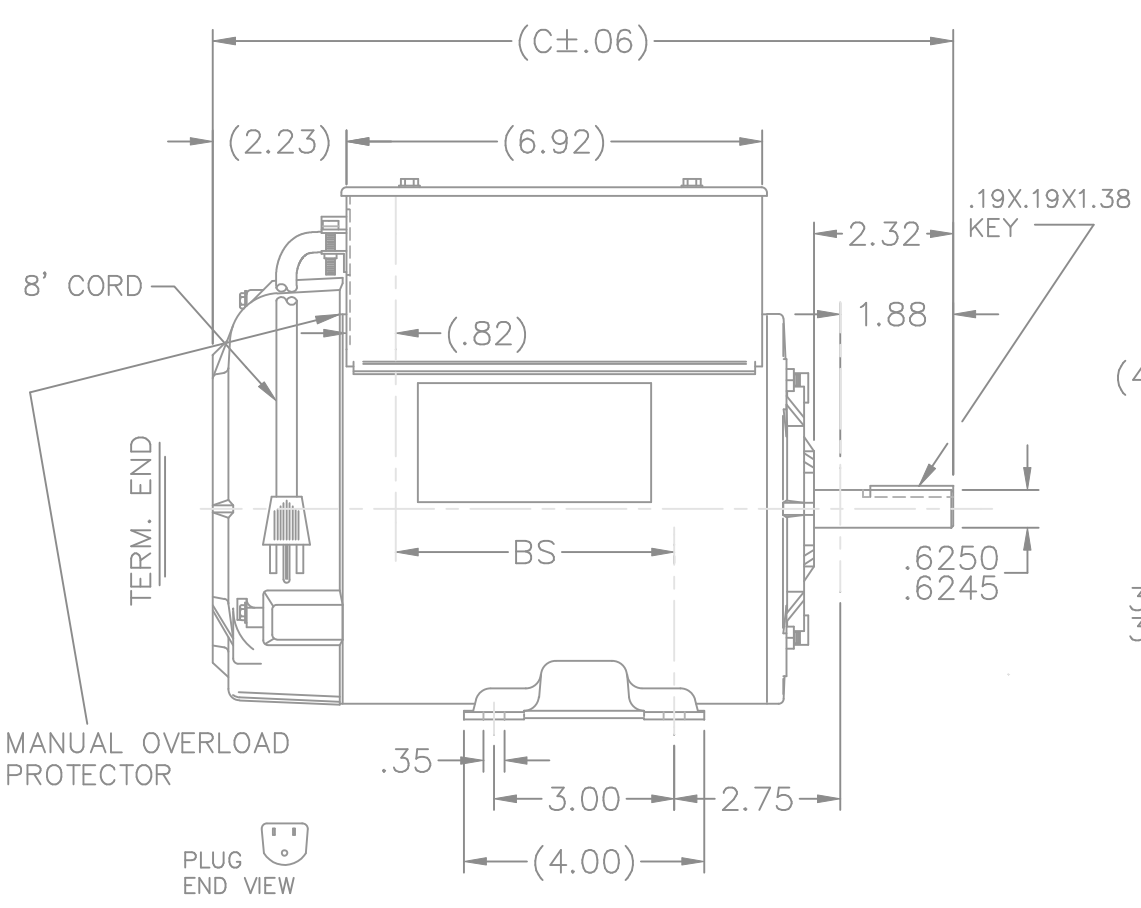
### Nameplate Specifications

Output HP	1.50 Hp	Output KW	1.1 kW
Frequency	60 Hz	Voltage	115/208-230 V
Current	14.2/7.7-7.1 A	Speed	3450 rpm
Service Factor	1.15	Phase	1
Efficiency	78.5 %	Duty	Continuous
Insulation Class	B	Design Code	L
KVA Code	H	Frame	56
Enclosure	Totally Enclosed Fan Cooled	Overload Protector	Manual
Ambient Temperature	40 °C	Drive End Bearing Size	6203
Opp Drive End Bearing Size	6203	UL	Recognized ( Not Protector)
CSA	Y	CE	N
IP Code	43		

### Technical Specifications

Electrical Type	Capacitor Start Capacitor Run	Starting Method	Across The Line
Poles	2	Rotation	Selective Counterclockwise
Mounting	Rigid base	Motor Orientation	Horizontal
Drive End Bearing	Ball	Opp Drive End Bearing	Ball
Frame Material	Rolled Steel	Shaft Type	T
Overall Length	12.82 in	Shaft Diameter	0.625 in
Shaft Extension	1.88 in	Assembly/Box Mounting	F3
Outline Drawing	A-104258-756	Connection Diagram	102006-60

This is an uncontrolled document once printed or downloaded and is subject to change without notice. Date Created: 07/02/2018

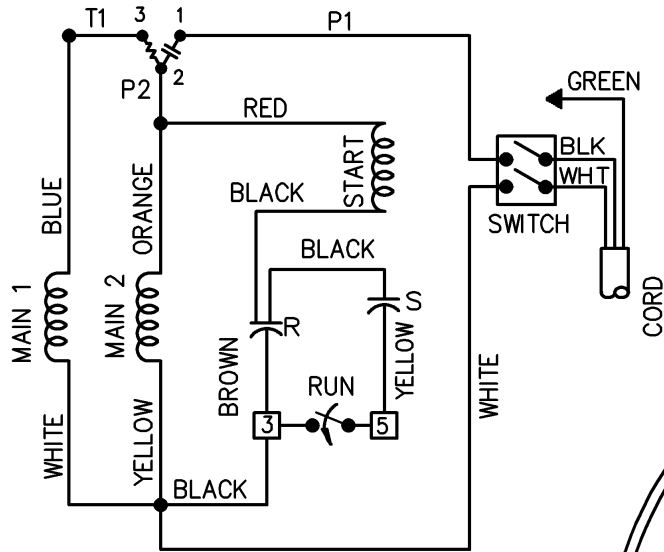


NOTE:  
NAMEPLATE TO BE READ  
FROM LOCATION "A"

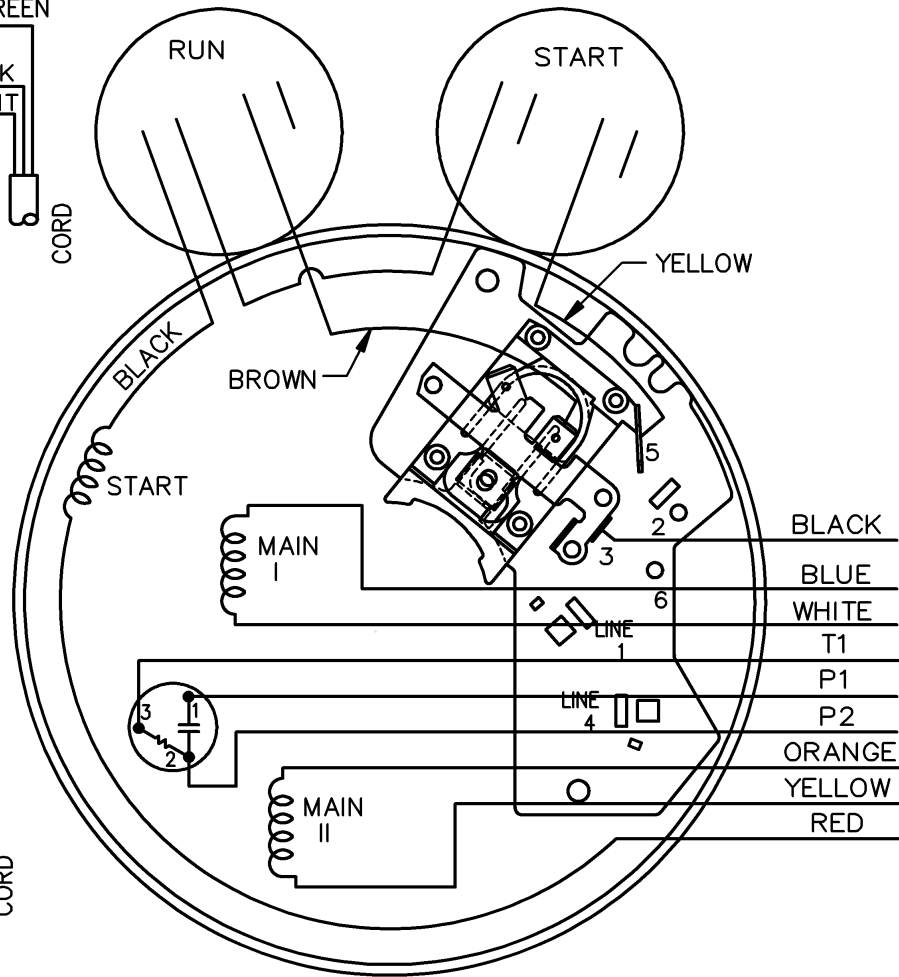
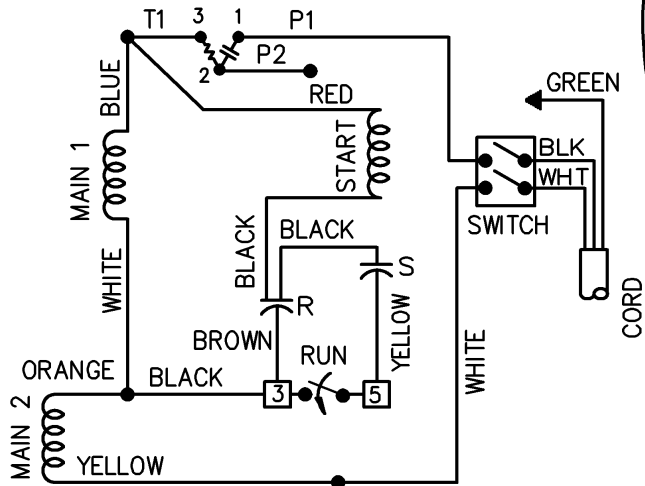
DASH	FRAME	C	BS		DASH	FRAME	C	BS
					806	56-80	13.32	5.64
656	56-65	11.82	4.14		856	56-85	13.82	6.14
706	"-70	12.32	4.64					
756	"-75	12.82	5.14					

				TOLERANCES UNLESS SPECIFIED		MARATHON ELECTRIC	DRAWN PGK 03-05-1997					
				DEC.	INCHES		CHK	ML	SAT	03-19-1997		
				.X	±.1	TITLE OUTLINE 56 FR. - BB - TEFC - 1ø	SCALE 5=16					
				.XX	±.03		APPD	REF				
2	REMOVED KNOCKOUTS ON C' BOX			TAT	04-26-2004	ML	.XXX	±.005	FMF			
1	NEW DRAWING			MU13686	PGK	03-20-1997	.XXXX	±.0005	PREV			
NO.	REVISION			BY & DATE		CHK	ANG	±7'30"	FINISH			
THIS DRAWING IN DESIGN AND DETAIL IS OUR PROPERTY AND MUST NOT BE USED EXCEPT IN CONNECTION WITH OUR WORK ALL RIGHTS OF DESIGN AND INVENTION ARE RESERVED THIS IS AN ELECTRONICALLY GENERATED DOCUMENT - DO NOT SCALE THIS PRINT				RFP	CAD FILE 104258			SIZE	DRAWING NO.	PAGE	OF	REV.
				DIST	WP				A	104258		2

LOW VOLTAGE C.C.W.



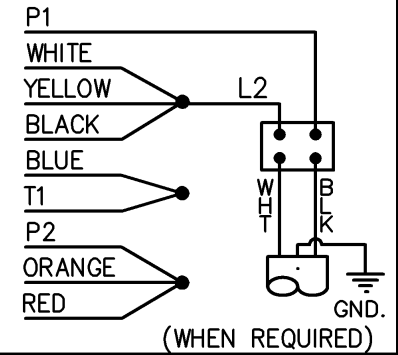
HIGH VOLTAGE C.C.W.



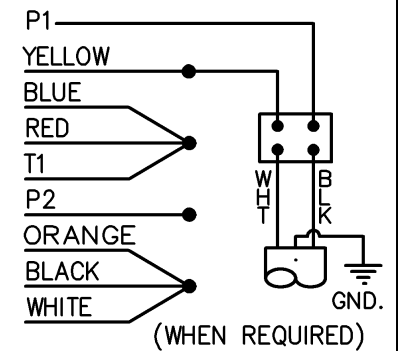
102006-60

DUAL VOLTAGE  
CAP START-CAP RUN  
OVERLOAD  
SELECT ROTATION

LOW VOLT. CCW ROT.



HIGH VOLT. CCW ROT.



FOR CW ROT. EITHER  
VOLTAGE INTERCHANGE  
RED WITH BLACK LEAD.

				TOLERANCES UNLESS SPECIFIED			DRAWN DD 04-20-1994		
				DEC.	INCHES		CHK ML 04-21-1994	APPD MB 04-26-1994	
03	ADDED (WHEN REQUIRED TO CORD)	MU29193	CAV 02-25-2000	.XX	±.02	TITLE CONNECTION DIAGRAM	SCALE 5=8		
02	CAP LEAD COLORS REV'D	CN 16210	MRB 11-16-1994	.XXX	±.005		REF		
01	NEW DRAWING	4138426	DD 05-02-1994	.XXXX	±.0005		FMF		
NO.	REVISION	BY & DATE	CHK	ANG	±7'30"	FINISH	PREV		
THIS DRAWING IN DESIGN AND DETAIL IS OUR PROPERTY AND MUST NOT BE USED EXCEPT IN CONNECTION WITH OUR WORK ALL RIGHTS OF DESIGN AND INVENTION ARE RESERVED THIS IS AN ELECTRONICALLY GENERATED DOCUMENT - DO NOT SCALE THIS PRINT				RFP	CAD FILE 10200660		SIZE A	DRAWING NO. 102006-60	PAGE OF 03
				DIST	WP				

