

# PRODUCT INFORMATION PACKET

**marathon**<sup>®</sup>  
Motors

Model No: 056B34F5303  
Catalog No: K332  
1 1/2, 3450, TEFC, 56, 1/60/115/208-230  
Pressure Washers



Regal and Marathon are trademarks of Regal Beloit Corporation or one of its affiliated companies.  
©2018 Regal Beloit Corporation, All Rights Reserved. MC017097E

**REGAL**<sup>®</sup>



### Nameplate Specifications

|                            |                             |                        |                             |
|----------------------------|-----------------------------|------------------------|-----------------------------|
| Output HP                  | 1.50 Hp                     | Output KW              | 1.1 kW                      |
| Frequency                  | 60 Hz                       | Voltage                | 115/208-230 V               |
| Current                    | 12.0/7.5-6.0 A              | Speed                  | 3450 rpm                    |
| Service Factor             | 1.15                        | Phase                  | 1                           |
| Efficiency                 | 77 %                        | Duty                   | Continuous                  |
| Insulation Class           | B                           | Design Code            | L                           |
| KVA Code                   | G                           | Frame                  | 56                          |
| Enclosure                  | Totally Enclosed Fan Cooled | Overload Protector     | Manual                      |
| Ambient Temperature        | 40 °C                       | Drive End Bearing Size | 6203                        |
| Opp Drive End Bearing Size | 6203                        | UL                     | Recognized ( Not Protector) |
| CSA                        | Y                           | CE                     | N                           |
| IP Code                    | 43                          |                        |                             |

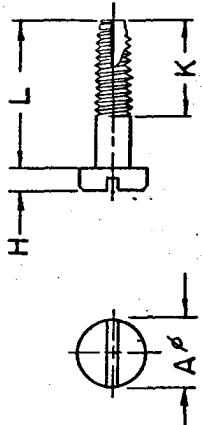
### Technical Specifications

|                       |                               |                       |                            |
|-----------------------|-------------------------------|-----------------------|----------------------------|
| Electrical Type       | Capacitor Start Capacitor Run | Starting Method       | Across The Line            |
| Poles                 | 2                             | Rotation              | Selective Counterclockwise |
| Mounting              | Rigid base                    | Motor Orientation     | Horizontal                 |
| Drive End Bearing     | Ball                          | Opp Drive End Bearing | Ball                       |
| Frame Material        | Rolled Steel                  | Shaft Type            | NEMA 56                    |
| Overall Length        | 13.32 in                      | Frame Length          | 8.06 in                    |
| Shaft Diameter        | 0.625 in                      | Shaft Extension       | 1.88 in                    |
| Assembly/Box Mounting | F3                            |                       |                            |
| Outline Drawing       | A-100297-806                  | Connection Diagram    | 102006-52                  |

This is an uncontrolled document once printed or downloaded and is subject to change without notice. Date Created: 06/29/2018

DO NOT SCALE DRAWING

NOTES  
\* STEEL SHALL BE ZINC PLATED PER MS1512 CLASS 3



| GR. NO. | D/S | THREADS      | MAT'L* | A   | H   | K    | L    | REMARKS |
|---------|-----|--------------|--------|-----|-----|------|------|---------|
| 01      | 1   | #8-32 UNC-2A | STEEL  | .31 | .09 | .38  | .38  |         |
| 02      | 1   | #8-32 UNC-2A | STEEL  | .31 | .09 | .50  | .50  |         |
| 03      | 1   | #8-32 UNC-2A | STEEL  | .31 | .09 | 1.13 | 1.13 |         |
| 04      | 5   | #6-32 UNC-2A | STEEL  | .26 | .08 | .38  | .38  |         |
| 05      | 5   | #6-32 UNC-2A | STEEL  | .26 | .08 | 1.25 | 1.25 |         |
| 06      | 1   | #8-32 UNC-2A | STEEL  | .31 | .09 | .75  | .75  |         |
| 07      | 5   | #6-32 UNC-2A | STEEL  | .26 | .08 | .88  | .88  |         |
| 08      | 1   | #8-32 UNC-2A | STEEL  | .31 | .09 | .88  | .88  |         |
| 09      | 5   | #6-32 UNC-2A | STEEL  | .26 | .08 | 1.44 | 1.44 |         |
| 10      | 1   | #8-32 UNC-2A | STEEL  | .31 | .09 | .25  | .25  |         |

REVISIONS  
 13 MODIFIED - JUNE 72  
 SIZES ISSUE #12  
 DATED 12-14-72  
 M.S.  
 9999-999-53117  
 14 ADDED IN MAT'L CD  
 10-15-79  
 M.S.  
 9999-999-38586  
 12-3-79  
 15 CHANGED PLATING TO  
 FROM CHROMIUM TO ZINC  
 2-1-84 DML  
 C1517  
 16 ADDED MS 1512  
 2-5-84 DML  
 C1517  
 17 ADDED TO  
 CLASS 3 TO  
 MS 1512  
 REV. 2/7/85  
 SPK

THIRD ANGLE PROJECTION

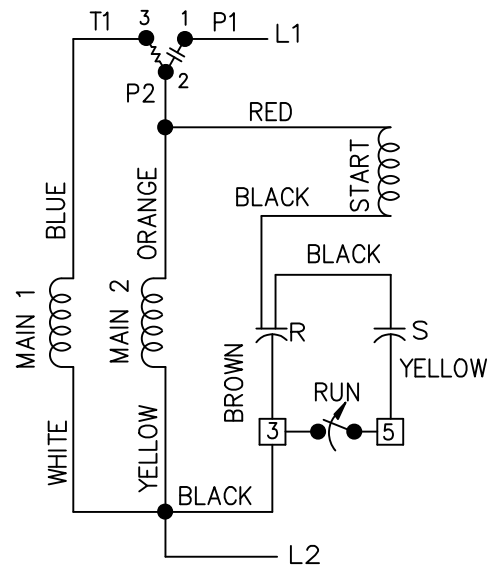
Century Electric, Inc.  
 1831 Chestnut Street, St. Louis, Missouri 63166

**CENTURY**

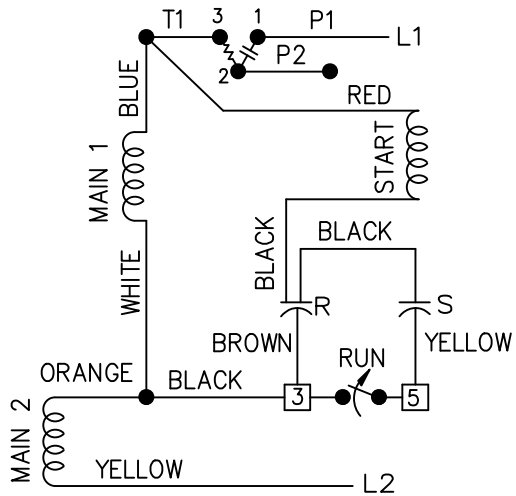
TITLE 9999 SCREW PAN HEAD THREAD  
 CUTTING MFGR TYPE 23  
 (SAE TYPE T)

|               |       |            |          |      |           |
|---------------|-------|------------|----------|------|-----------|
| DRN. 10-15-79 | CKD.  | CONT. CODE | DRG. NO. | SIZE | CLASS NO. |
| APPD.         | SCALE | 4          | 100297   | B    | 0170      |

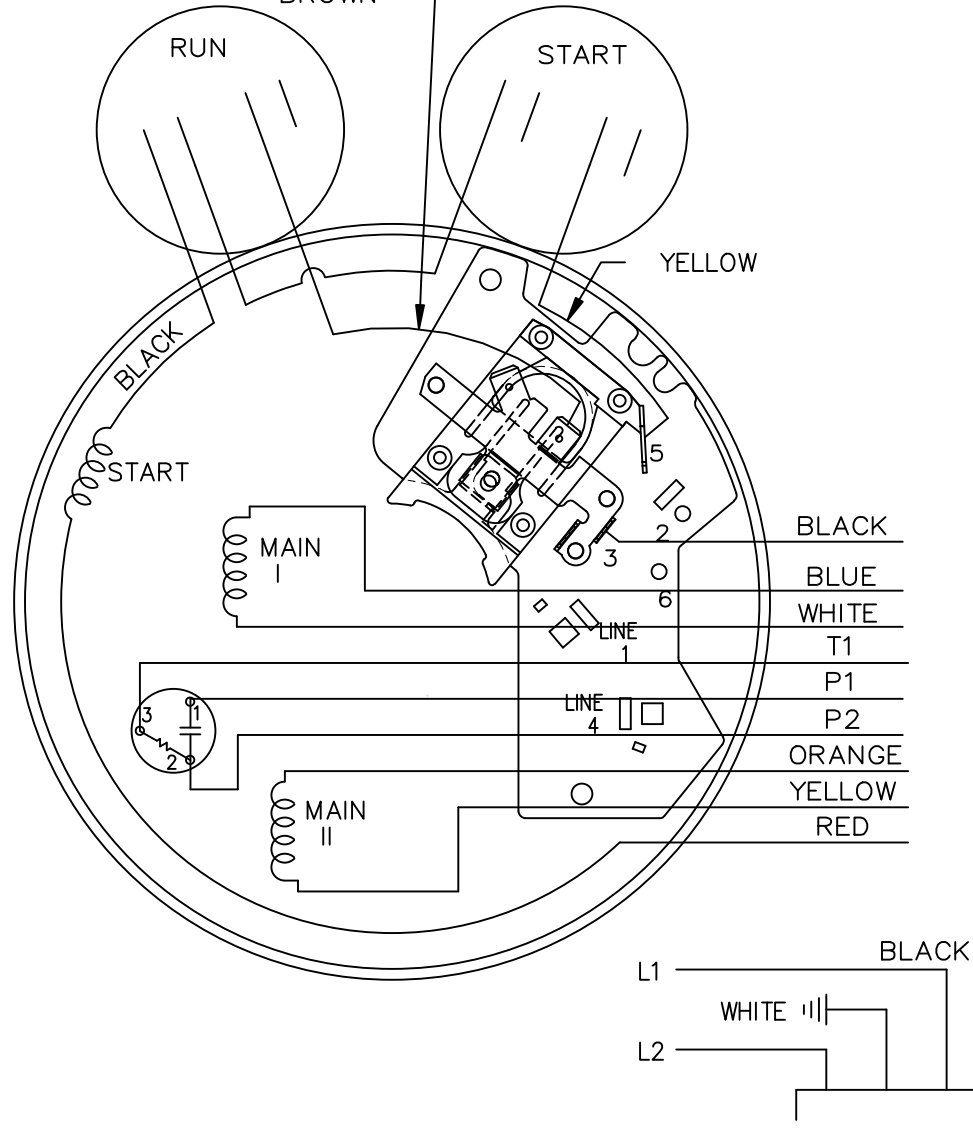
LOW VOLTAGE C.C.W.



HIGH VOLTAGE C.C.W.



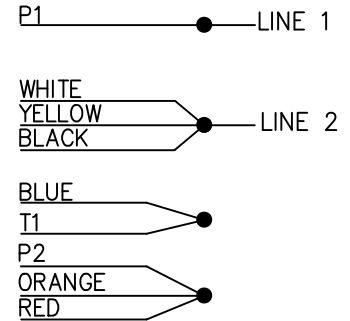
BROWN LEAD MAYBE CONNECTED ON POST 3 TO ELIMINATE GROUNDING



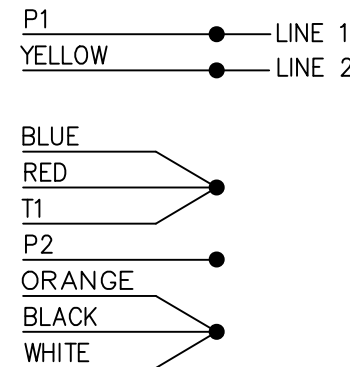
102006-52

DUAL VOLTAGE  
CAP START-CAP RUN  
OVERLOAD  
SELECT ROTATION

LOW VOLT. CCW ROT.



HIGH VOLT. CCW ROT.



FOR CW ROT. EITHER  
VOLTAGE INTERCHANGE  
RED WITH BLACK LEAD.

|     |  |                |     |                             |        |
|-----|--|----------------|-----|-----------------------------|--------|
| 13  | CHG'ED SWITCH TO OPEN WHEN RUNNING ISAAC 11-2715 | KBB 06-23-2011 | EH  | TOLERANCES UNLESS SPECIFIED |        |
| 12  | REMOVE 1,2,3 & 4 ON LOW & HIGH VOLT CN 31436     | TJB 02-14-2002 | DRS | DEC.                        | INCHES |
| 11  | REMOVE BRAKE VIEW CN 31436                       | TJB 01-30-2002 | DRS | .X                          | ±.1    |
| 10  | ADDED BROW LEAD DETAIL NOTE CN 24300-323         | BJW 02-28-2000 |     | .XX                         | ±.02   |
| 9   | ADDED CORD VIEW MU20434                          | BLR 07-01-1998 |     | .XXX                        | ±.005  |
| 8   | CAP LEAD COLORS REVISED CN 16210                 | AJS 08-29-1994 |     | .XXXX                       | ±.0005 |
| NO. | REVISION   | BY & DATE      | CHK | ANG                         | ±7'30" |

|                          |                     |
|--------------------------|---------------------|
|                          | DRAWN ML 05-09-1992 |
|                          | CHK GK 05-09-1992   |
| TITLE CONNECTION DIAGRAM | APPD FG 05-19-1992  |
|                          | SCALE 5=8           |
|                          | REF                 |
| MAT'L.                   | FMF                 |
| FINISH                   | PREV                |

|  |  |         |                    |        |                       |         |         |
|--|--|---------|--------------------|--------|-----------------------|---------|---------|
| THIS DRAWING IN DESIGN AND DETAIL IS OUR PROPERTY AND MUST NOT BE USED EXCEPT IN CONNECTION WITH OUR WORK ALL RIGHTS OF DESIGN AND INVENTION ARE RESERVED THIS IS AN ELECTRONICALLY GENERATED DOCUMENT - DO NOT SCALE THIS PRINT |  | RFP     | CAD FILE 102006-52 | SIZE A | DRAWING NO. 102006-52 | PAGE OF | REV. 13 |
|  |  | DIST WP |                    |        |                       |         |         |

6/23/2011 3:28:16 PM

Dealers Industrial Equipment -- Visit <https://DealersElectric.com> or call (908) 688-1966 for all of your electric motor & VFD needs!

CERTIFICATION DATA SHEET

Model#: 56B34F5303 I WINDING#: ZB218 NONE 3  
 CONN. DIAGRAM: 102006-52 ASSEMBLY: F3  
 OUTLINE: A-100297-806

TYPICAL MOTOR PERFORMANCE DATA

| HP                     | KW          | SYNC. RPM         | F.L. RPM  | FRAME           | ENCLOSURE    | KVA CODE          | DESIGN |                   |           |              |
|------------------------|-------------|-------------------|-----------|-----------------|--------------|-------------------|--------|-------------------|-----------|--------------|
| 1 1/2                  | 1.12        | 3600              | 3450      | 56              | TEFC         | G                 | L      |                   |           |              |
| PH                     | Hz          | VOLTS             | FL AMPS   | START TYPE      | DUTY         | INSL              | S.F    | AMB°C             | ELEVATION |              |
| 1                      | 60          | 115/208-230       | 12/7.5-6  | ACROSS THE LINE | CONTINUOUS   | B3                | 1.15   | 40                | 3300      |              |
| FULL LOAD EFF: 77      |             | 3/4 LOAD EFF: 72  |           | 1/2 LOAD EFF: 0 |              | GTD. EFF          |        | ELEC. TYPE        |           | NO LOAD AMPS |
| FULL LOAD PF: 98       |             | 3/4 LOAD PF: 0    |           | 1/2 LOAD PF: 0  |              | 0                 |        | CAP START CAP RUN |           | 2.1 / 1.1    |
| F.L. TORQUE            |             | LOCKED ROTOR AMPS |           | L.R. TORQUE     |              | B.D. TORQUE       |        | F.L. RISE°C       |           |              |
| 2.25 LB-FT             |             | 83.6 / 41.8       |           | 4.69 LB-FT -    |              | 4.91 LB-FT -      |        | 55                |           |              |
| SOUND PRESSURE @ 3 FT. | SOUND POWER | ROTOR WK^2        | MAX. WK^2 | SAFE STALL TIME | STARTS /HOUR | APPROX. MOTOR WGT |        |                   |           |              |
| 0 dBA                  | 10 dBA      | 0 LB-FT^2         | 0 LB-FT^2 | 10 SEC.         | 0            | 0 LBS.            |        |                   |           |              |

\*\*\* SUPPLEMENTAL INFORMATION \*\*\*

| DE BRACKET TYPE | ODE BRACKET TYPE | MOUNT TYPE | ORIENTATION | SEVERE DUTY | HAZARDOUS LOCATION | DRIP COVER | SCREENS | PAINT         |
|-----------------|------------------|------------|-------------|-------------|--------------------|------------|---------|---------------|
| STANDARD        | STANDARD         | RIGID      | HORIZONTAL  | FALSE       | NONE               | FALSE      | NONE    | GRAY (POWDER) |

| BEARINGS |      | GREASE     | SHAFT TYPE  | SPECIAL DE | SPECIAL ODE | SHAFT MATERIAL           | FRAME MATERIAL |
|----------|------|------------|-------------|------------|-------------|--------------------------|----------------|
| DE       | OPE  | POLYREX EM | STANDARD 56 | NONE       | NONE        | 1144 STRESSPROOF (C-223) | ROLLED STEEL   |
| BALL     | BALL |            |             |            |             |                          |                |
| 6203     | 6203 |            |             |            |             |                          |                |

| THERMO-PROTECTORS |            |          |          | THERMISTORS | CONTROL | SPACE /n HEATERS |
|-------------------|------------|----------|----------|-------------|---------|------------------|
| THERMOSTATS       | PROTECTORS | WDG RTDs | BRG RTDs | NONE        | FALSE   | NONE VOLTS       |
| NONE              | MANUAL     | NONE     | NONE     |             |         |                  |

If Inverter equals NONE, contact factory for further information

\*  
N  
O  
T  
E  
S  
\*

|                           |
|---------------------------|
| INVERTER TORQUE: NONE     |
| INV. HP SPEED RANGE: NONE |
| ENCODER: NONE             |
| NONE NONE                 |
| NONE NONE PPR             |
| BRAKE: NONE NONE          |
| NONE P/N NONE             |
| NONE NONE                 |
| NONE FT-LB NONE V NONE Hz |

DATE: 06/27/2017 06:28:01 AM  
 FORM 3531 REV.3 02/07/99  
 \*\* Subject to change without notice.