

# PRODUCT INFORMATION PACKET

**marathon**<sup>®</sup>  
Motors

Model No: 056B34D5341  
Catalog No: J059  
2,3450,DP,56J,1/60/115/230  
Single Phase



Regal and Marathon are trademarks of Regal Beloit Corporation or one of its affiliated companies.  
©2018 Regal Beloit Corporation, All Rights Reserved. MC017097E

**REGAL**<sup>®</sup>



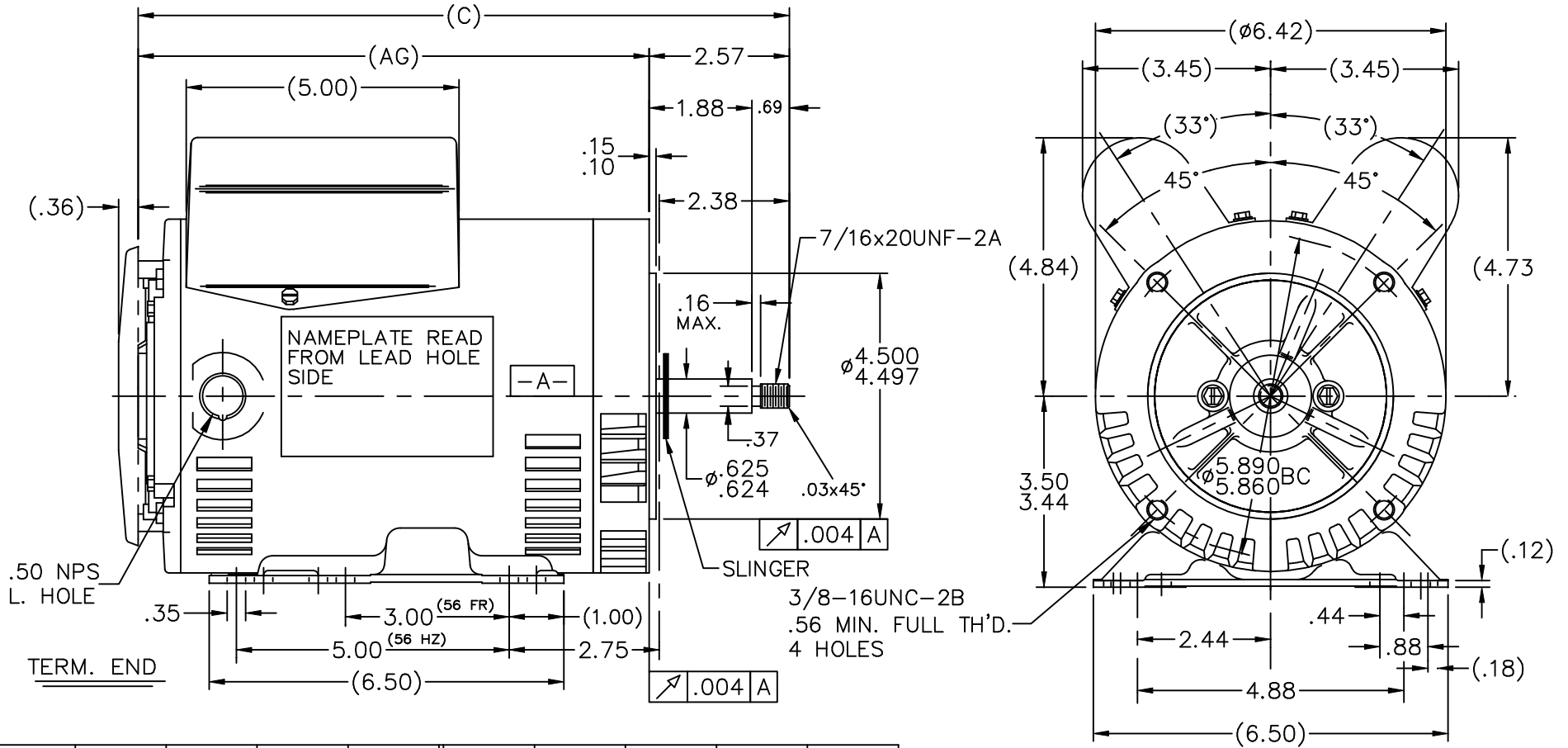
### Nameplate Specifications

Output HP	2 Hp	Output KW	1.5 kW
Frequency	60 Hz	Voltage	115/208-230 V
Current	18.2/9.8-9.1 A	Speed	3450 rpm
Service Factor	1.2	Phase	1
Efficiency	80 %	Duty	Continuous
Insulation Class	B	Design Code	NO DESIGN CODE
KVA Code	F	Frame	56J
Enclosure	Drip Proof	Overload Protector	Automatic
Ambient Temperature	40 °C	Drive End Bearing Size	6203
Opp Drive End Bearing Size	6203	UL	Recognized ( Not Protector)
CSA	Y	CE	Y
IP Code	22		

### Technical Specifications

Electrical Type	Capacitor Start Capacitor Run	Starting Method	Across The Line
Poles	2	Rotation	Fixed Clockwise
Mounting	Rigid base	Motor Orientation	Horizontal Or Shaft Down
Drive End Bearing	Ball	Opp Drive End Bearing	Ball
Frame Material	Rolled Steel	Shaft Type	J
Overall Length	11.94 in	Frame Length	7.56 in
Shaft Diameter	0.625 in	Shaft Extension	2.57 in
Assembly/Box Mounting	F1 Only		
Outline Drawing	A-100776-756	Connection Diagram	102006-17

This is an uncontrolled document once printed or downloaded and is subject to change without notice. Date Created: 06/29/2018

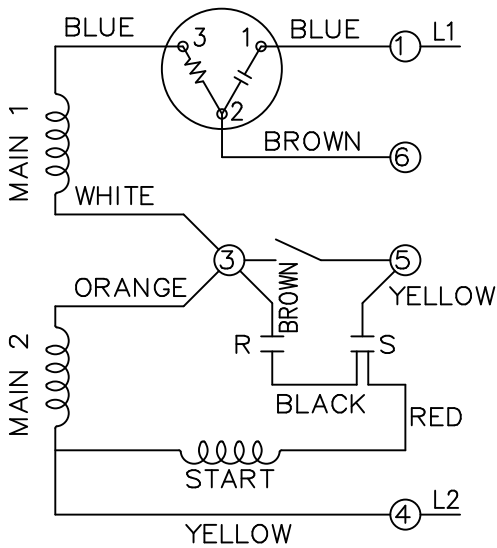


DASH	FR.	C	AG	DASH	FR.	C	AG
				806	56-80	12.44	9.87
				856	"-85	12.94	10.37
				906	"-90	13.44	10.87
756	"-75	11.94	9.37	956	"-95	13.94	11.37

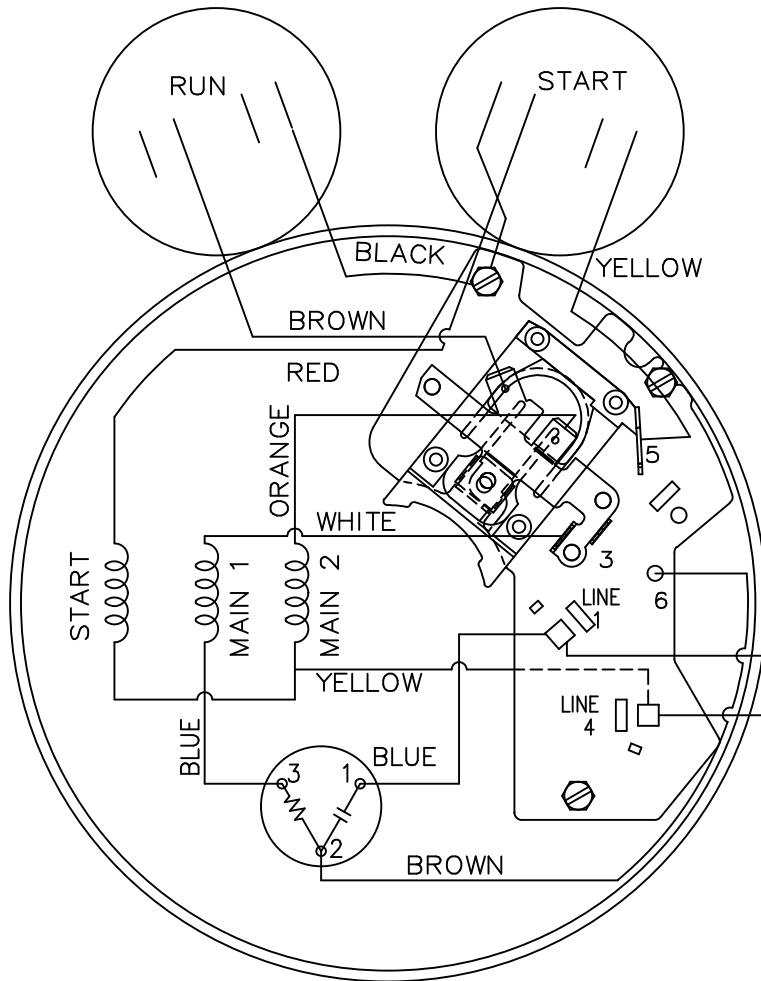
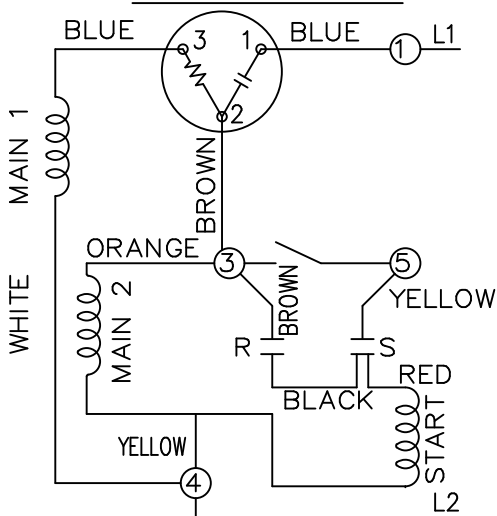
NO.	REVISION	BY & DATE	CHK	TOLERANCES UNLESS SPECIFIED	
				ANG	INCHES
4	UPDATED DRAWING	RJW 03-28-2007	DEC.	.X	±.1
3	REDRAWN IN AUTOCAD	TAT 07-13-2004	ML	.XX	±.03
2	ADDED SLINGER - DIMENSIONS "C" & "AG" WERE LOCATED @ LEFT EDGE OF D' COVER	CN 16315		.XXX	±.005
1	NEW DRAWING	4041663 DJK 07-12-1993		.XXXX	±.0005
					±7'30"

	DRAWN DJK 07-02-1993 CHK ML 07-06-1993 APPD MJ 07-07-1993
	SCALE 11=32 REF FMF PREV
TITLE OUTLINE 56 FR.-BB-DR.PR.-C' FACE-1φ MAT'L. FINISH	CAD FILE 100776 SIZE A DRAWING NO. 100776 PAGE OF REV. 4

HI VOLTAGE CW



LOW VOLTAGE CW



DUAL VOLTAGE CAPACITOR  
START, CAPACITOR RUN  
W/ OVERLOAD, CW FIXED ROT.

HI VOLTAGE

FOR LOW VOLTAGE  
REMOVE WHITE  
LEAD ON TERM. #3 & ATTACH  
TO TERM. #4. REMOVE BROWN  
LEAD ON TERM. #6 & ATTACH  
TO TERM. #3.

				TOLERANCES UNLESS SPECIFIED		MARATHON ELECTRIC	DRAWN BLR 04-24-1996			
				DEC.	INCHES		CHK ML 04-26-1996			
				.X	±.1	TITLE CONNECTION DIAGRAM	APPD GK 04-26-1996	SCALE 5=8		
2	UPDATED ROTATION NOTES CN 32345	DRS 07-24-2003	ML	.XXX	±.005		REF			
1	REDRAWN ON CADD	BLR 04-26-1996		.XXXX	±.0005		MAT'L.	FMF		
NO.	REVISION	BY & DATE	CHK	ANG	±7'30"	FINISH	PREV			
THIS DRAWING IN DESIGN AND DETAIL IS OUR PROPERTY AND MUST NOT BE USED EXCEPT IN CONNECTION WITH OUR WORK ALL RIGHTS OF DESIGN AND INVENTION ARE RESERVED THIS IS AN ELECTRONICALLY GENERATED DOCUMENT - DO NOT SCALE THIS PRINT				RFP		CAD FILE 102006-17	SIZE A	DRAWING NO. 102006-17	PAGE OF 2	REV. 2
				DIST	WP					

CERTIFICATION DATA SHEET

Model#: 56B34D5341 E WINDING#: ZB221 NONE 3  
 CONN. DIAGRAM: 102006-17 ASSEMBLY: F1 ONLY  
 OUTLINE: A-100776-756

TYPICAL MOTOR PERFORMANCE DATA

HP	KW	SYNC. RPM	F.L. RPM	FRAME	ENCLOSURE	KVA CODE	DESIGN
2	1.49	3600	3450	56J	DP	F	NO DESIGN CODE

PH	Hz	VOLTS	FL AMPS	START TYPE	DUTY	INSL	S.F	AMB°C	ELEVATION
1	60	115/208-230	18.2/9.8-9.1	ACROSS THE LINE	CONTINUOUS	B3	1.2	40	3300

FULL LOAD EFF: 80	3/4 LOAD EFF: 81	1/2 LOAD EFF: 77	GTD. EFF	ELEC. TYPE	NO LOAD AMPS
FULL LOAD PF: 87.5	3/4 LOAD PF: 82.5	1/2 LOAD PF: 74	0	CAP START CAP RUN	7.4 / 3.7

F.L. TORQUE	LOCKED ROTOR AMPS	L.R. TORQUE	B.D. TORQUE	F.L. RISE°C
2.99 LB-FT	118.8 / 59.4	5.18 LB-FT -	7.32 LB-FT -	55

SOUND PRESSURE @ 3 FT.	SOUND POWER	ROTOR WK^2	MAX. WK^2	SAFE STALL TIME	STARTS /HOUR	APPROX. MOTOR WGT
0 dBA	10 dBA	0 LB-FT^2	0 LB-FT^2	0 SEC.	0	0 LBS.

\*\*\* SUPPLEMENTAL INFORMATION \*\*\*

DE BRACKET TYPE	ODE BRACKET TYPE	MOUNT TYPE	ORIENTATION	SEVERE DUTY	HAZARDOUS LOCATION	DRIP COVER	SCREENS	PAINT
C-FACE	STANDARD	RIGID	HORIZONTAL OR SHAFT DOWN	FALSE	NONE	TRUE	NONE	GRAY (POWDER)

BEARINGS		GREASE	SHAFT TYPE	SPECIAL DE	SPECIAL ODE	SHAFT MATERIAL	FRAME MATERIAL
DE	OPE						
BALL	BALL	POLYREX EM	JET PUMP	NONE	NONE	416 STAINLESS (C-503)	ROLLED STEEL
6203	6203						

THERMO-PROTECTORS				THERMISTORS	CONTROL	SPACE /n HEATERS
THERMOSTATS	PROTECTORS	WDG RTDs	BRG RTDs			
NONE	AUTOMATIC	NONE	NONE	NONE	FALSE	NONE VOLTS

If Inverter equals NONE, contact factory for further information

\*  
N  
O  
T  
E  
S  
\*

INVERTER TORQUE: NONE
INV. HP SPEED RANGE: NONE
ENCODER: NONE
NONE NONE
NONE NONE PPR
BRAKE: NONE NONE
NONE P/N NONE
NONE NONE
NONE FT-LB NONE V NONE Hz

DATE: 06/27/2017 06:26:31 AM  
 FORM 3531 REV.3 02/07/99

\*\* Subject to change without notice.