

PRODUCT INFORMATION PACKET

marathon[®]
Motors

Model No: 056B34D5304
Catalog No: G976
2,3450,DP,56H,1/60/115/208-230
Pressure Washers



Regal and Marathon are trademarks of Regal Beloit Corporation or one of its affiliated companies.
©2018 Regal Beloit Corporation, All Rights Reserved. MC017097E

REGAL[®]



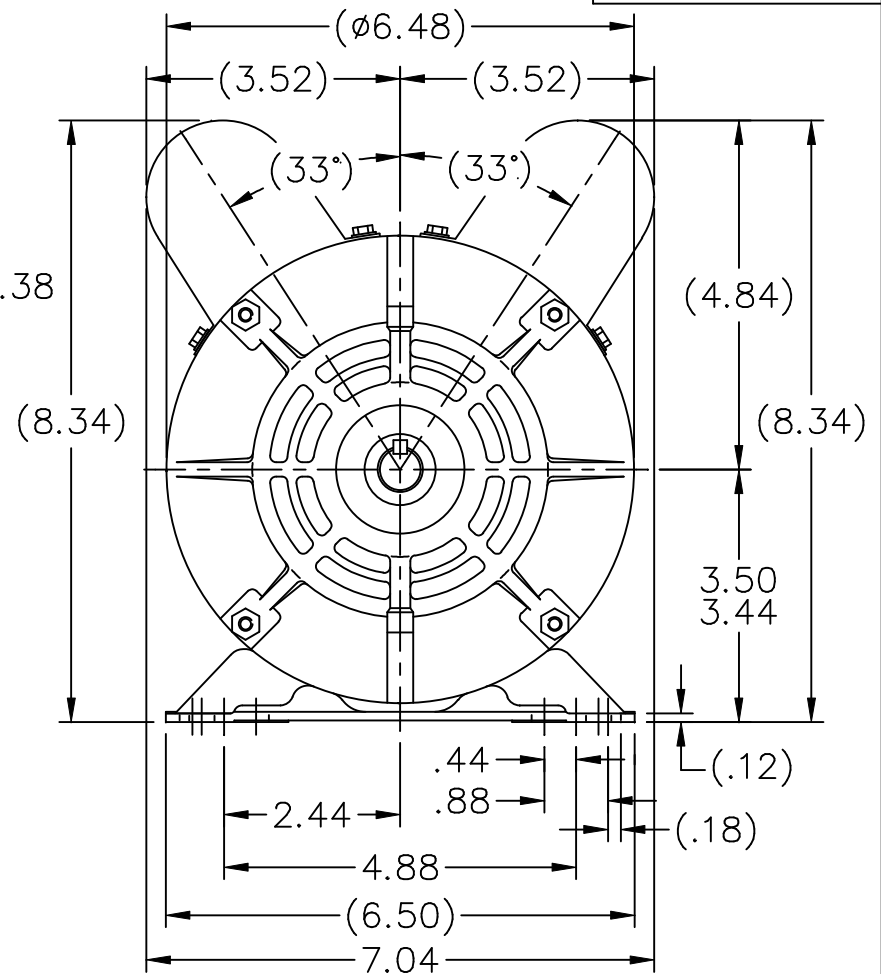
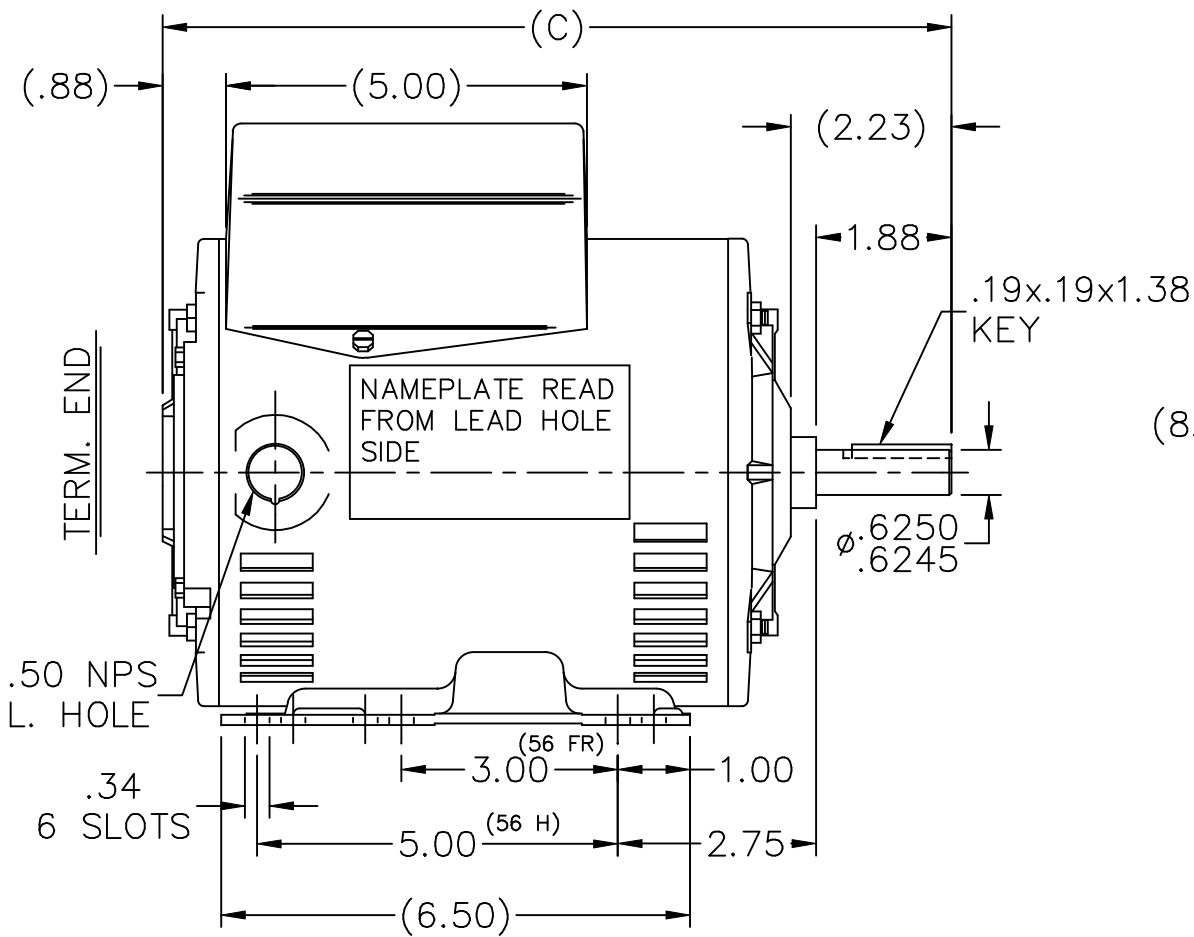
Nameplate Specifications

Output HP	2 Hp	Output KW	1.5 kW
Frequency	60 Hz	Voltage	115/208-230 V
Current	17.6/9.7-8.8 A	Speed	3450 rpm
Service Factor	1.15	Phase	1
Efficiency	78.8 %	Duty	Continuous
Insulation Class	B	Design Code	L
KVA Code	H	Frame	56H
Enclosure	Drip Proof	Overload Protector	Manual
Ambient Temperature	40 °C	Drive End Bearing Size	6205
Opp Drive End Bearing Size	6203	UL	Recognized (Not Protector)
CSA	Y	CE	Y
IP Code	22		

Technical Specifications

Electrical Type	Capacitor Start Capacitor Run	Starting Method	Across The Line
Poles	2	Rotation	Selective Counterclockwise
Mounting	Rigid base	Motor Orientation	Horizontal
Drive End Bearing	Ball	Opp Drive End Bearing	Ball
Frame Material	Rolled Steel	Shaft Type	T
Overall Length	11.44 in	Frame Length	7.56 in
Shaft Diameter	0.625 in	Shaft Extension	2.23 in
Assembly/Box Mounting	F1 Only		
Outline Drawing	A-100146-756	Connection Diagram	102006-2

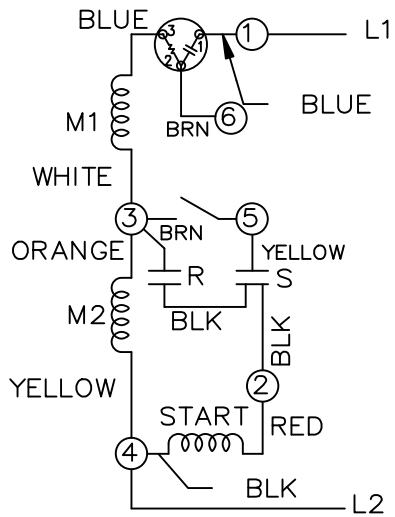
This is an uncontrolled document once printed or downloaded and is subject to change without notice. Date Created: 06/29/2018



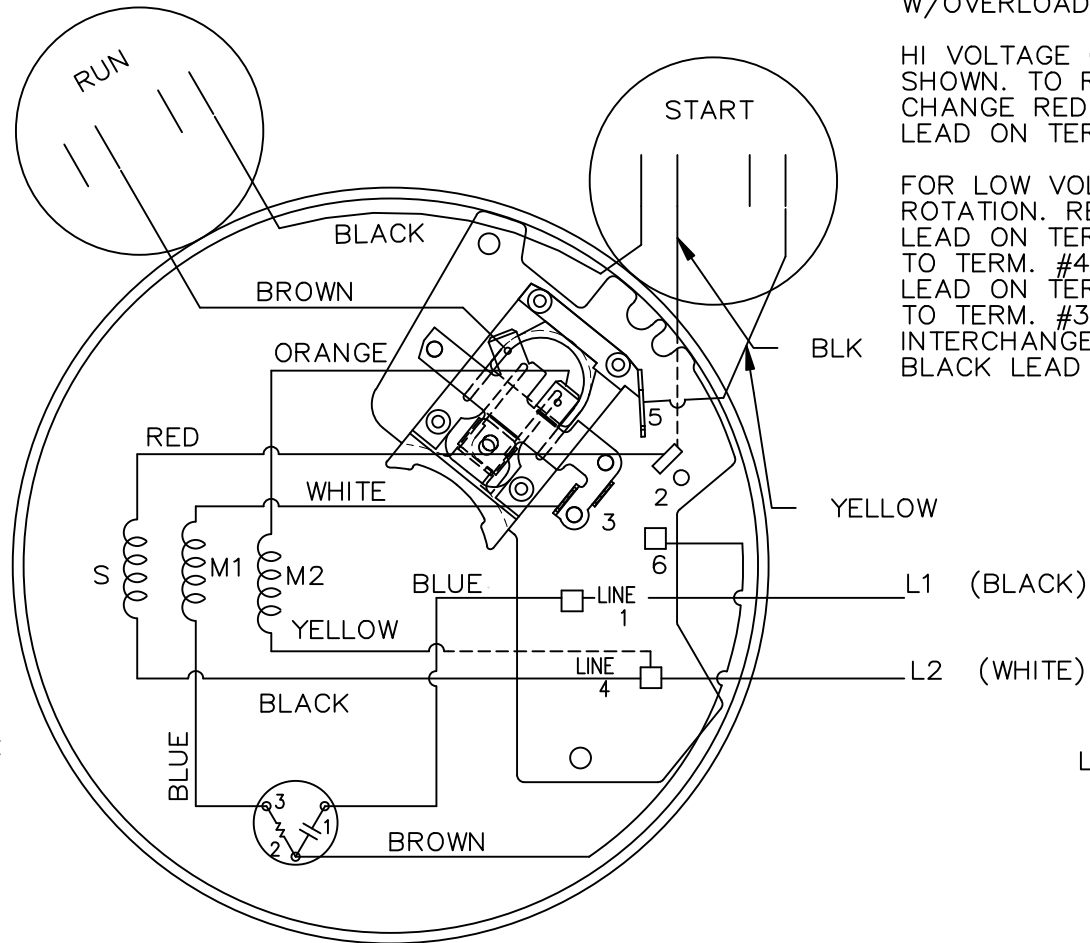
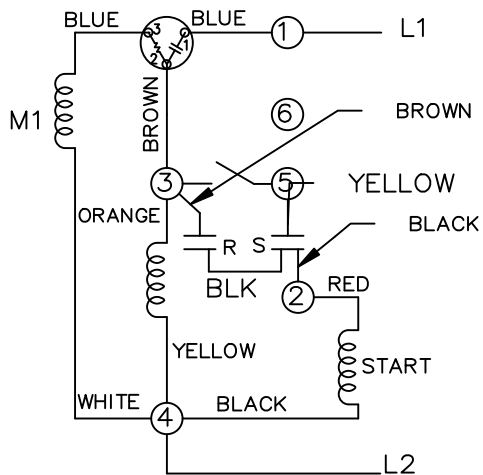
DASH	FR.	C	DASH	FR.	C
756	56-75	11.44	906	56-90	12.94
806	56-80	11.94			
856	56-85	12.44			

			TOLERANCES UNLESS SPECIFIED			DRAWN BLR 03-30-1998				
			DEC.	INCHES		CHK	ML	03-31-1998		
			.X	±.1	TITLE OUTLINE 56 FR.	APPD GK 03-31-1998				
			.XX	±.03		SCALE 3=8				
5	REDRAWN IN AUTOCAD	TAT 05-09-2005	ML	.XXX		±.005	REF			
4	REDRAWN ON CADD	BLR 03-31-1998		.XXXX	±.0005	FMF				
NO.	REVISION	BY & DATE	CHK	ANG	±7'30"	PREV				
THIS DRAWING IN DESIGN AND DETAIL IS OUR PROPERTY AND MUST NOT BE USED EXCEPT IN CONNECTION WITH OUR WORK ALL RIGHTS OF DESIGN AND INVENTION ARE RESERVED THIS IS AN ELECTRONICALLY GENERATED DOCUMENT - DO NOT SCALE THIS PRINT			RFP	CAD FILE 100146		SIZE	DRAWING NO.	PAGE	OF	REV.
			DIST	WP		A	100146			5

HIGH VOLTAGE C.C.W.



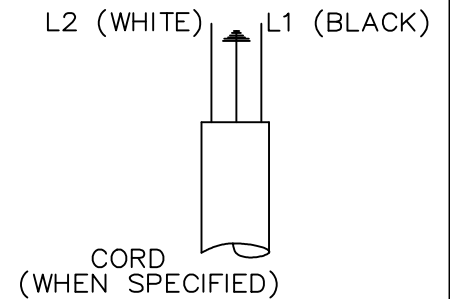
LOW VOLTAGE C.C.W.



DUAL VOLTAGE CAPACITOR
START, CAPACITOR RUN
W/OVERLOAD AND SELECT ROTATION

HI VOLTAGE C.C.W. ROTATION
SHOWN. TO REVERSE INTER-
CHANGE RED WITH BLACK
LEAD ON TERMS. 2 & 4.

FOR LOW VOLTAGE C.C.W.
ROTATION. REMOVE WHITE
LEAD ON TERM. #3 & ATTACH
TO TERM. #4. REMOVE BROWN
LEAD ON TERM. #6 ATTACH
TO TERM. #3. TO REVERSE
INTERCHANGE RED WITH
BLACK LEAD ON TERMS. 2 & 4.



		TOLERANCES UNLESS SPECIFIED		MARATHON ELECTRIC	DRAWN PGK 08-26-1996		
		DEC.	INCHES		CHK	ML	
		.X	±.1	TITLE CONNECTION DIAGRAM	APPD GK 09-05-1996		
		.XX	±.02		SCALE 5=8		
7	UPDATED PER IS11-3490	PN	8/31/2011		VC	.XXX	±.005
6	REDRAWN ON CADD	PGK	09-05-1996		.XXXX	±.0005	
NO.	REVISION	BY & DATE	CHK	ANG	±7'30"		
THIS DRAWING IN DESIGN AND DETAIL IS OUR PROPERTY AND MUST NOT BE USED EXCEPT IN CONNECTION WITH OUR WORK ALL RIGHTS OF DESIGN AND INVENTION ARE RESERVED THIS IS AN ELECTRONICALLY GENERATED DOCUMENT - DO NOT SCALE THIS PRINT			RFP	CAD FILE 102006_3		SIZE	DRAWING NO. PAGE OF REV.
			DIST	WP	A	102006-2	7

