

PRODUCT INFORMATION PACKET

marathon[®]
Motors

Model No: 056B34D2033
Catalog No: J058
1 1/2,3450,DP,56J,1/60/115/208-230
Single Phase



Regal and Marathon are trademarks of Regal Beloit Corporation or one of its affiliated companies.
©2018 Regal Beloit Corporation, All Rights Reserved. MC017097E

REGAL[®]



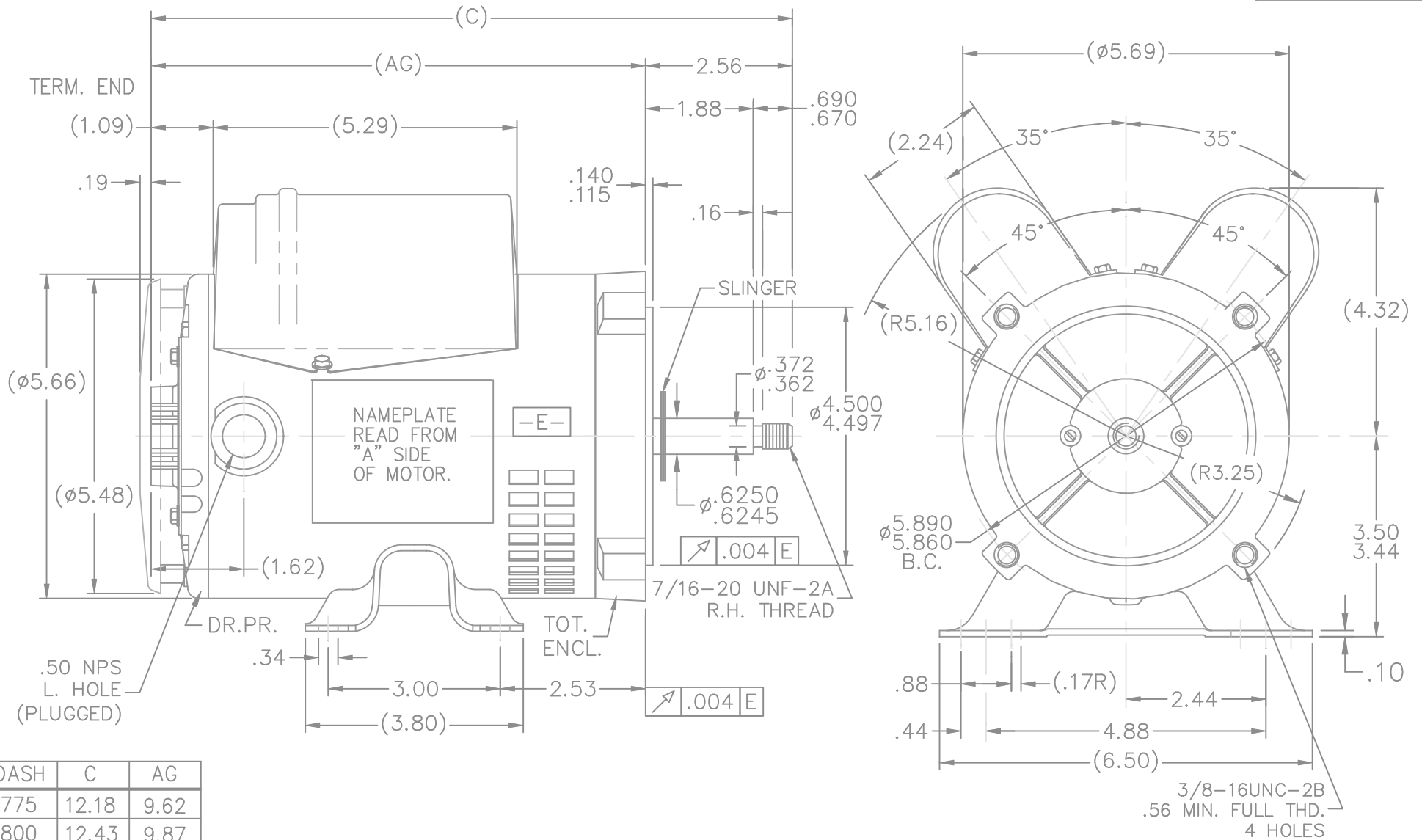
Nameplate Specifications

Output HP	1.50 Hp	Output KW	1.1 kW
Frequency	60 Hz	Voltage	115/208-230 V
Current	13.4/7.4-6.7 A	Speed	3450 rpm
Service Factor	1.3	Phase	1
Efficiency	78.7 %	Duty	Continuous
Insulation Class	B	Design Code	NO DESIGN CODE
KVA Code	H	Frame	56J
Enclosure	Drip Proof	Overload Protector	Automatic
Ambient Temperature	40 °C	Drive End Bearing Size	6203
Opp Drive End Bearing Size	6203	UL	Recognized (Not Protector)
CSA	Y	CE	N
IP Code	22		

Technical Specifications

Electrical Type	Capacitor Start Capacitor Run	Starting Method	Across The Line
Poles	2	Rotation	Fixed Clockwise
Mounting	Rigid base	Motor Orientation	Horizontal Or Shaft Down
Drive End Bearing	Ball	Opp Drive End Bearing	Ball
Frame Material	Rolled Steel	Shaft Type	J
Overall Length	12.43 in	Frame Length	8.00 in
Shaft Diameter	0.625 in	Shaft Extension	2.56 in
Assembly/Box Mounting	F1 Only		
Outline Drawing	A-SS75915-800	Connection Diagram	A-EE9002L

This is an uncontrolled document once printed or downloaded and is subject to change without notice. Date Created: 06/29/2018



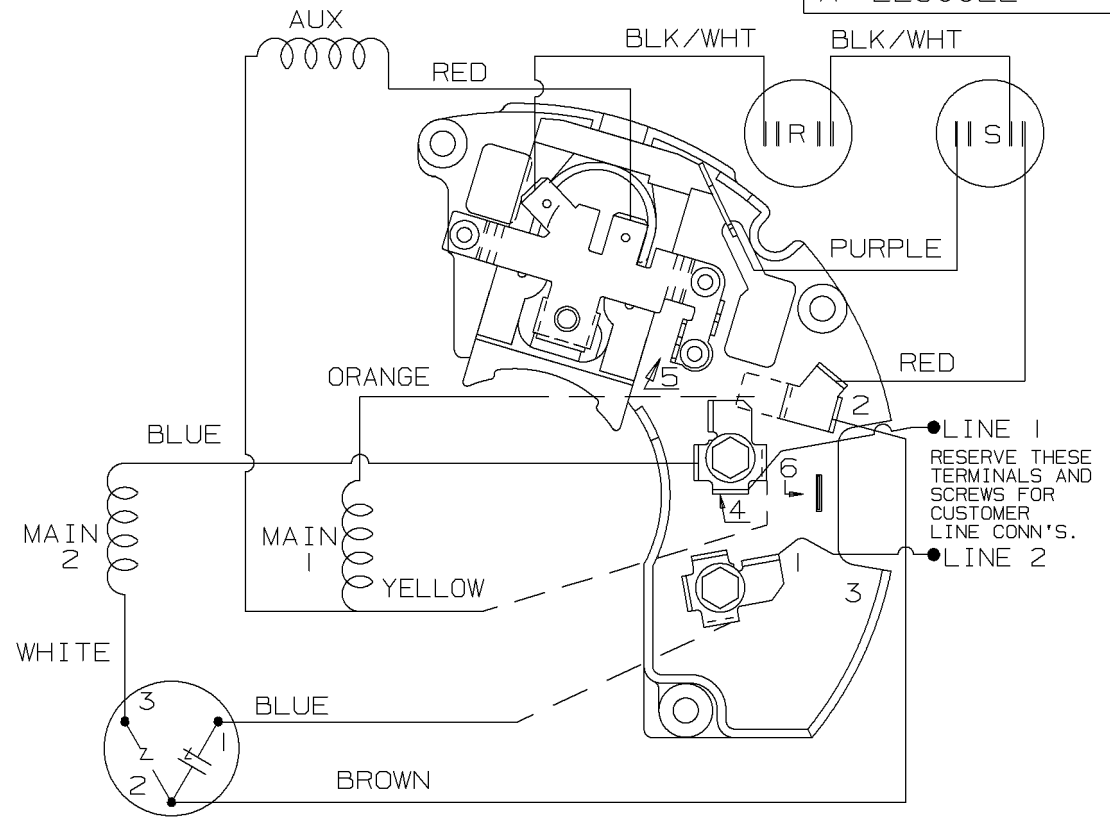
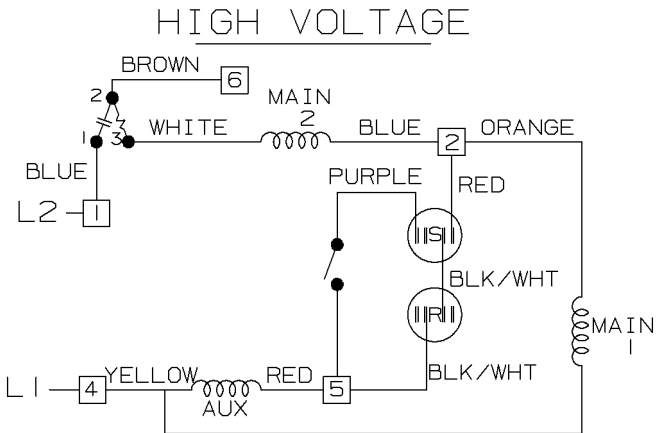
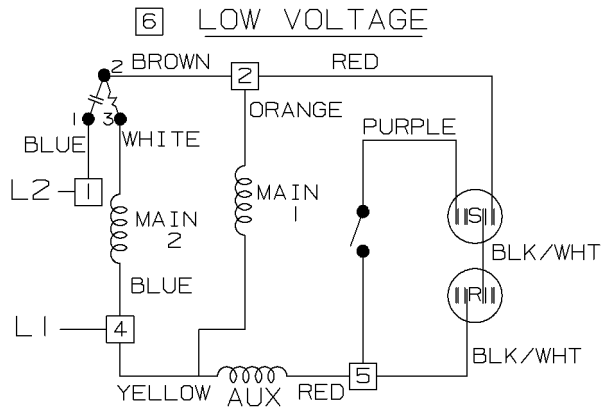
DASH	C	AG
775	12.18	9.62
800	12.43	9.87

			TOLERANCES UNLESS SPECIFIED		MARATHON ELECTRIC	DRAWN DD 06-30-1993	
			DEC.	INCHES		CHK ML 07-01-1993	APPD GK 07-01-1993
5	UPDATED DRAWING		TJW	04/20/2007	TITLE OUTLINE	SCALE 13=32	
4	REDRAWN INN AUTOCAD		TAT	07-13-2004		REF	
3	(4.32) WAS (4.38)/(R3.25) WAS (R3.75) CN 29200-613		TJB	07-07-2000		FMF	
2	PHANTOM DRIP COVER - ADDED SLINGER CN 16315		KL	09-28-1993		PREV	
1	NEW DRAWING 4041661		DD	07-12-1993			
NO.	REVISION	BY & DATE	CHK	ANG	MAT'L.	FINISH	
			RFP				
			DIST	WP	CAD FILE ss75915	SIZE A	DRAWING NO. SS75915
							PAGE OF 5
							REV. 5

THIS DRAWING IN DESIGN AND DETAIL IS OUR PROPERTY AND MUST NOT BE USED EXCEPT IN CONNECTION WITH OUR WORK ALL RIGHTS OF DESIGN AND INVENTION ARE RESERVED THIS IS AN ELECTRONICALLY GENERATED DOCUMENT - DO NOT SCALE THIS PRINT

10/2/2008 1:12:37 PM

A- EE9002L



VIEWING TERM END

LOW VOLTAGE CW ROTATION SHOWN.

FOR HIGH VOLTAGE
CONNECT BROWN TERM 2 TO TERM 6.
CONNECT BLUE TERM 4 TO TERM 2.

DUAL VOLTAGE
CAP START/CAP RUN
NOT REVERSIBLE WITH
OVERLOAD PROTECTION

DASH LINES INDICATE LEADS CONNECTED
TO MOTOR SIDE OF SWITCH.

FOR CORD CONNECTIONS::
CONNECT BLACK LINE TO TERM.1
CONNECT WHITE LINE TO TERM.4
CONNECT GREEN TO GR. SCREW IN BKT.

5	01-28-1991	REVISED LINE 2 LOCATION CN 6427	RM	✓ MAX. SURFACE ROUGHNESS UNLESS NOTED OTHERWISE	UNLESS OTHERWISE SPECIFIED DIMENSIONS ARE IN INCHES TOL. ON XX± XXX±.005 XXXX±.0005 ANGLES±			
4	06-01-1990	ADDED INSTRUCTIONS FOR CORD CONN.	TOM	MATL SPEC				DRAWN BY TOM 05-22-1989
3	01-31-1990	INTERCHANGED BLUE WITH WHITE ON TERM 2.	TOM	FINISH				CHKD BY DRN 5-23-1989
REV	DATE	CHANGE	NAME	REFERENCE DRW.	WAUSAU, WISCONSIN 54401			APPD BY GK 04-08-1994
				PART NAME CONNECTION DIAGRAM 48 FR. DUAL VOLTAGE NOT REVERSIBLE	DRWG NO A- EE9002L			

SHOP BOOK

PURCHASED

DISTRIBUTION - WA - LB - WP - LM - BR

CADD FILE NO.

EE9002L

CERTIFICATION DATA SHEET

Model#: 56B34D2033 F **WINDING#:** BE48237 NONE 3
CONN. DIAGRAM: A-EE9002L **ASSEMBLY:** F1 ONLY
OUTLINE: A-SS75915-800

TYPICAL MOTOR PERFORMANCE DATA

HP	KW	SYNC. RPM	F.L. RPM	FRAME	ENCLOSURE	KVA CODE	DESIGN		
1 1/2	1.12	3600	3450	56J	DP	H	NO DESIGN CODE		
PH	Hz	VOLTS	FL AMPS	START TYPE	DUTY	INSL	S.F	AMB°C	ELEVATION
1	60	115/208-230	13.4/7.4-6.7	ACROSS THE LINE	CONTINUOUS	B3	1.3	40	3300
FULL LOAD EFF: 78.7		3/4 LOAD EFF: 77	1/2 LOAD EFF: 72.1	GTD. EFF		ELEC. TYPE		NO LOAD AMPS	
FULL LOAD PF: 95.8		3/4 LOAD PF: 95	1/2 LOAD PF: 92.4	0		CAP START CAP RUN		3.2 / 1.6	
F.L. TORQUE		LOCKED ROTOR AMPS		L.R. TORQUE		B.D. TORQUE		F.L. RISE°C	
2.25 LB-FT		83.6 / 41.8		3.63 LB-FT -		5.24 LB-FT -		55	
SOUND PRESSURE @ 3 FT.	SOUND POWER	ROTOR WK^2	MAX. WK^2	SAFE STALL TIME	STARTS /HOUR	APPROX. MOTOR WGT			
- dBA	- dBA	- LB-FT^2	- LB-FT^2	10 SEC.	-	-		- LBS.	

***** SUPPLEMENTAL INFORMATION *****

DE BRACKET TYPE	ODE BRACKET TYPE	MOUNT TYPE	ORIENTATION	SEVERE DUTY	HAZARDOUS LOCATION	DRIP COVER	SCREENS	PAINT
C-FACE	STANDARD	RIGID	HORIZONTAL OR SHAFT DOWN	FALSE	NONE	TRUE	NONE	GRAY (POWDER)

BEARINGS		GREASE	SHAFT TYPE	SPECIAL DE	SPECIAL ODE	SHAFT MATERIAL	FRAME MATERIAL
DE	OPE						
BALL	BALL	POLYREX EM	JET PUMP	NONE	NONE	416 STAINLESS (C-503)	ROLLED STEEL
6203	6203						

THERMO-PROTECTORS				THERMISTORS	CONTROL	SPACE /n HEATERS
THERMOSTATS	PROTECTORS	WDG RTDs	BRG RTDs			
NONE	AUTOMATIC	NONE	NONE	NONE	FALSE	NONE VOLTS

If Inverter equals NONE, contact factory for further information

INVERTER TORQUE: NONE	
INV. HP SPEED RANGE: NONE	
ENCODER: NONE	
NONE NONE	
NONE NONE PPR	
BRAKE: NONE NONE	
NONE P/N NONE	
NONE NONE	
NONE FT-LB	NONE V NONE Hz

*
N
O
T
E
S
*

DATE: 06/27/2017 06:21:09 AM
 FORM 3531 REV.3 02/07/99

** Subject to change without notice.