

PRODUCT INFORMATION PACKET

marathon[®]
Motors

Model No: 056B34D2028
Catalog No: O231
1 1/2,3450,DP,56C,1/60/115/208-230
Single Phase



Regal and Marathon are trademarks of Regal Beloit Corporation or one of its affiliated companies.
©2018 Regal Beloit Corporation, All Rights Reserved. MC017097E

REGAL[®]



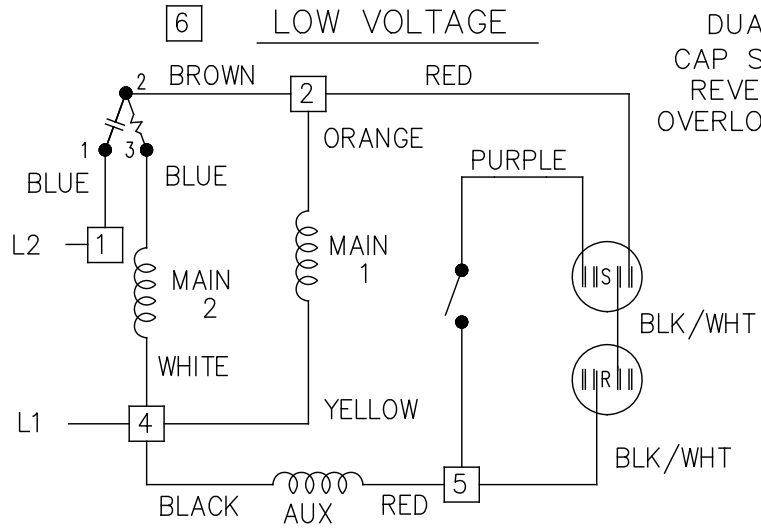
Nameplate Specifications

Output HP	1.50 Hp	Output KW	1.1 kW
Frequency	60 Hz	Voltage	115/208-230 V
Current	13.0/7.4-6.5 A	Speed	3450 rpm
Service Factor	1.3	Phase	1
Efficiency	78.7 %	Duty	Continuous
Insulation Class	B	Design Code	NO DESIGN CODE
KVA Code	H	Frame	56C
Enclosure	Drip Proof	Overload Protector	Manual
Ambient Temperature	40 °C	Drive End Bearing Size	6203
Opp Drive End Bearing Size	6203	UL	Recognized
CSA	Y	CE	Y
IP Code	22		

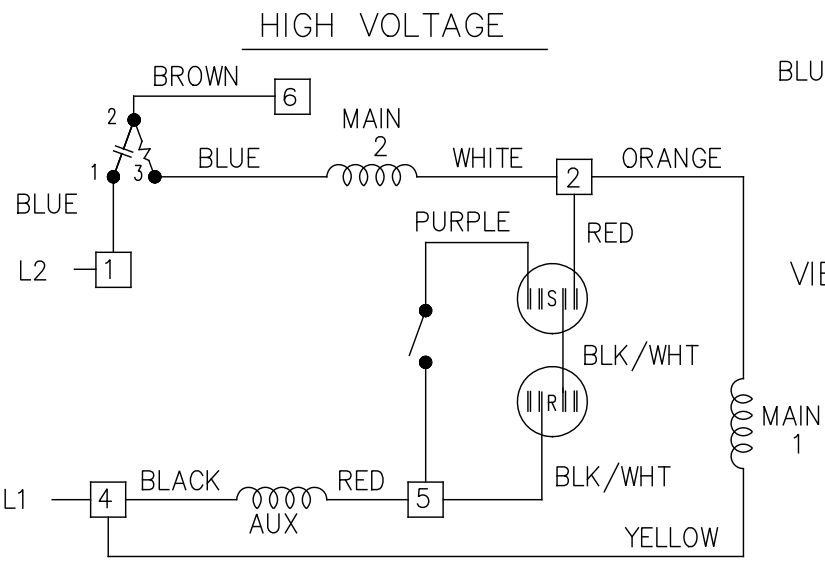
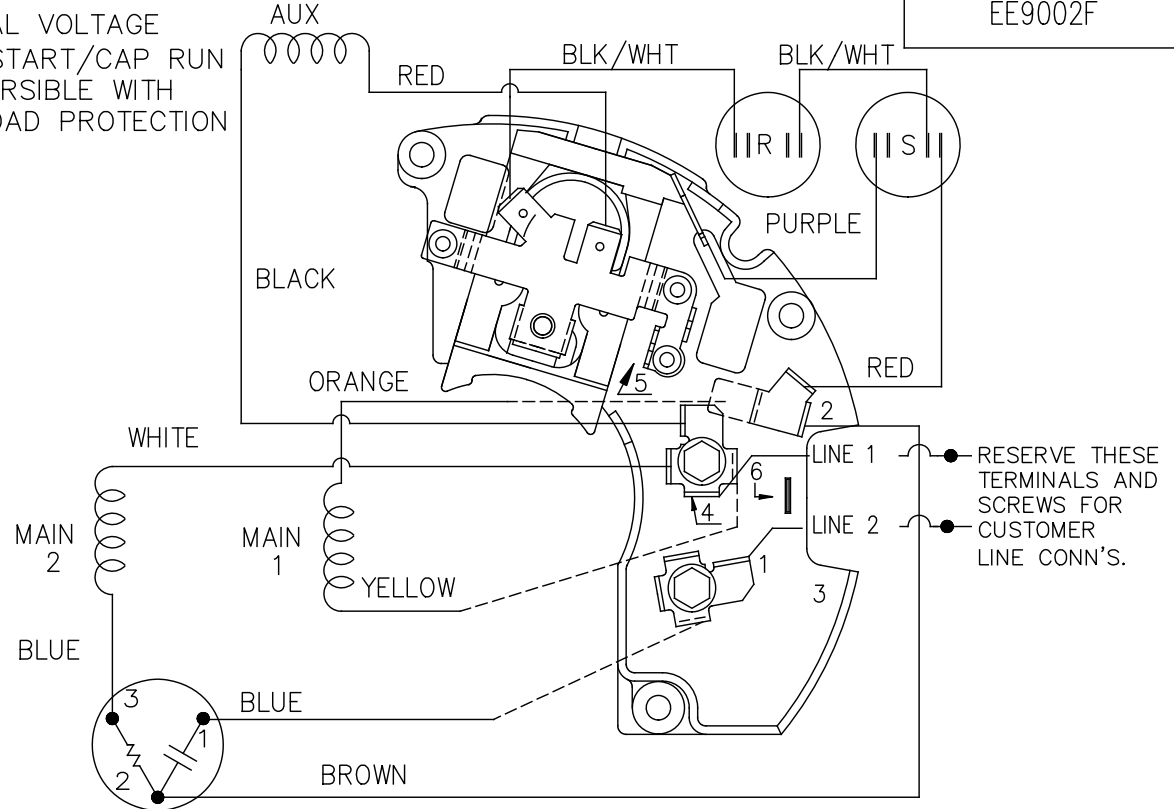
Technical Specifications

Electrical Type	Capacitor Start Capacitor Run	Starting Method	Across The Line
Poles	2	Rotation	Selective Counterclockwise
Mounting	Round	Motor Orientation	Horizontal
Drive End Bearing	Ball	Opp Drive End Bearing	Ball
Frame Material	Rolled Steel	Shaft Type	T
Overall Length	11.97 in	Frame Length	8.00 in
Shaft Diameter	0.625 in	Shaft Extension	2.09 in
Assembly/Box Mounting	F1 Only		
Outline Drawing	A-SS75503-800	Connection Diagram	A-EE9002F

This is an uncontrolled document once printed or downloaded and is subject to change without notice. Date Created: 07/02/2018



DUAL VOLTAGE
CAP START/CAP RUN
REVERSIBLE WITH
OVERLOAD PROTECTION




VIEWING TERM END

LOW VOLTAGE CCW ROTATION SHOWN.

FOR HIGH VOLTAGE
CONNECT BROWN TERM 2 TO TERM 6.
CONNECT WHITE TERM 4 TO TERM 2.

TO REVERSE ROTATION EITHER
VOLTAGE INTERCHANGE RED
LEAD WITH BLACK LEAD.

DASH LINES INDICATE LEADS CONNECTED
TO MOTOR SIDE OF SWITCH.

5	REVISED LINE 2 LOCATION	RM 01-28-1991	TOLERANCES UNLESS SPECIFIED		 Regal Beloit America, Inc.	DRAWN ML 02-11-1988
4	UPDATED SCHEMATIC PER CN 6014	DA 08-01-1990	DEC.	INCHES		CHK FG 02-11-1988
3	RED LEAD FROM AUX WAS ON ANGLE TERM.	DA 07-02-1990	.X	± -		APPD DNR 03-11-1988
	PURPLE LEAD WAS RED CN 6014		.XX	± -		SCALE 1=1
2	ADDED CUSTOMER CONNECTION NOTE. CN 6011	BW 08-03-1989	.XXX	± -		REF
1	NEW DRAWING	ML 08-19-1988	.XXXX	± -	MAT'L.	FMF
NO.	REVISION	BY & DATE	CHK	ANG	FINISH	PREV

THIS DRAWING IN DESIGN AND DETAIL IS OUR PROPERTY AND MUST NOT BE USED EXCEPT IN CONNECTION WITH OUR WORK ALL RIGHTS OF DESIGN AND INVENTION ARE RESERVED THIS IS AN ELECTRONICALLY GENERATED DOCUMENT - DO NOT SCALE THIS PRINT

RFP	CAD FILE EE9002F	SIZE A	DRAWING NO. EE9002F	PAGE OF	REV. 5
DIST WP					

