

PRODUCT INFORMATION PACKET

marathon[®]
Motors

Model No: 056B17F5328
Catalog No: T018
1-1/2,1725,TEFC,56H,1/60/115/208-230
Power Tools



Regal and Marathon are trademarks of Regal Beloit Corporation or one of its affiliated companies.

©2018 Regal Beloit Corporation, All Rights Reserved. MC017097E

REGAL[®]



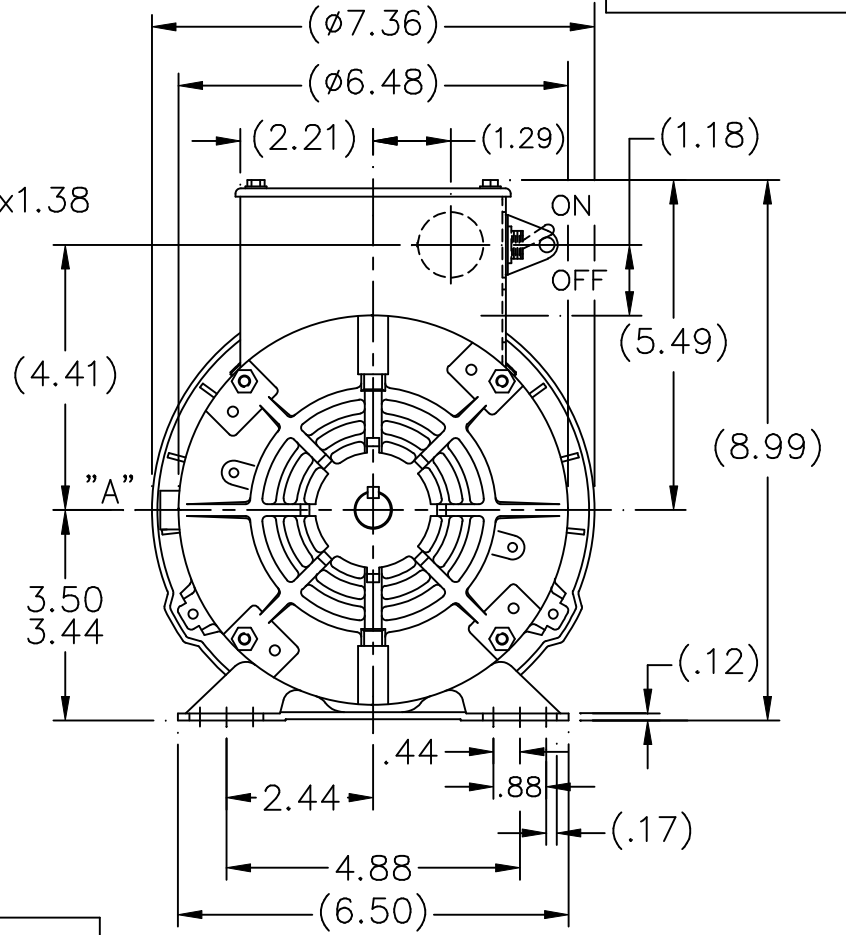
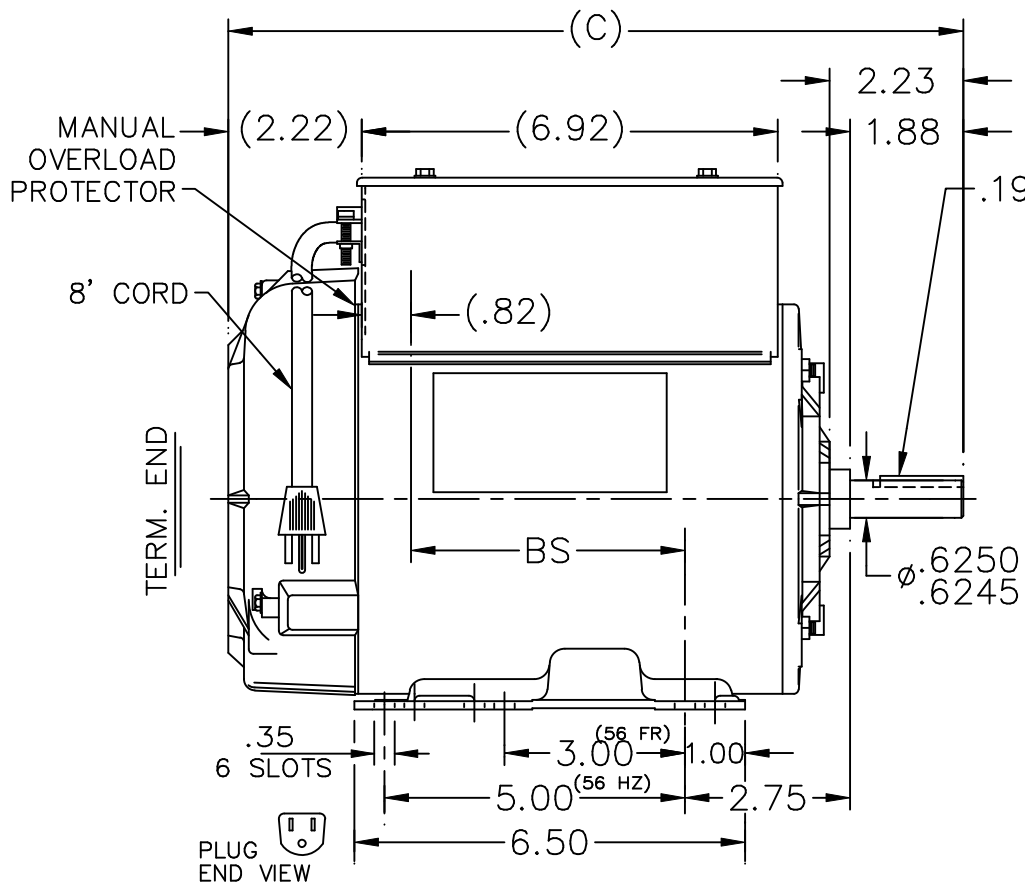
Nameplate Specifications

Output HP	1.50 Hp	Output KW	1.1 kW
Frequency	60 Hz	Voltage	115/208-230 V
Current	13.6/7.5-6.8 A	Speed	1725 rpm
Service Factor	1.15	Phase	1
Efficiency	81.5 %	Duty	Continuous
Insulation Class	B	Design Code	L
KVA Code	K	Frame	56H
Enclosure	Totally Enclosed Fan Cooled	Overload Protector	Manual
Ambient Temperature	40 °C	Drive End Bearing Size	6205
Opp Drive End Bearing Size	6205	UL	Recognized (Not Protector)
CSA	Y	CE	N
IP Code	43		

Technical Specifications

Electrical Type	Capacitor Start Capacitor Run	Starting Method	Across The Line
Poles	4	Rotation	Selective Counterclockwise
Mounting	Rigid base	Motor Orientation	Horizontal
Drive End Bearing	Ball	Opp Drive End Bearing	Ball
Frame Material	Rolled Steel	Shaft Type	Single Special Extension
Overall Length	13.73 in	Shaft Diameter	0.625 in
Shaft Extension	1.88 in	Assembly/Box Mounting	F3
Outline Drawing	A-104267-856	Connection Diagram	102006-60

This is an uncontrolled document once printed or downloaded and is subject to change without notice. Date Created: 07/02/2018



NOTE:
NAMEPLATE TO BE READ
FROM LOCATION "A"

DASH	FR.	C	BS		DASH	FR.	C	BS	
					806	56-80	13.23	5.55	
656	56-65	11.73	4.05		856	56-85	13.73	6.05	
706	"-70	12.23	4.55						
756	"-75	12.73	5.05						

NO.	REVISION	BY & DATE	CHK	TOLERANCES UNLESS SPECIFIED	
				DEC.	INCHES
4	REMOVED ONE 1.09ø KNOCKOUT & ONE .88ø KNOCKOUT. CN24300-382	NJS 03-01-2001	.X	±.1	
3	REVISED "C" & "BS" DIMS. REDUCED BY: .09 CN #, WAS CN24300-138 CN24300-235	MSG 12-04-2000	.XX	±.03	
2	SHAFT EXT. WAS (2.32) CN24300-235	MJD 08-04-1998	.XXXX	±.0005	
			ANG	±7'30"	



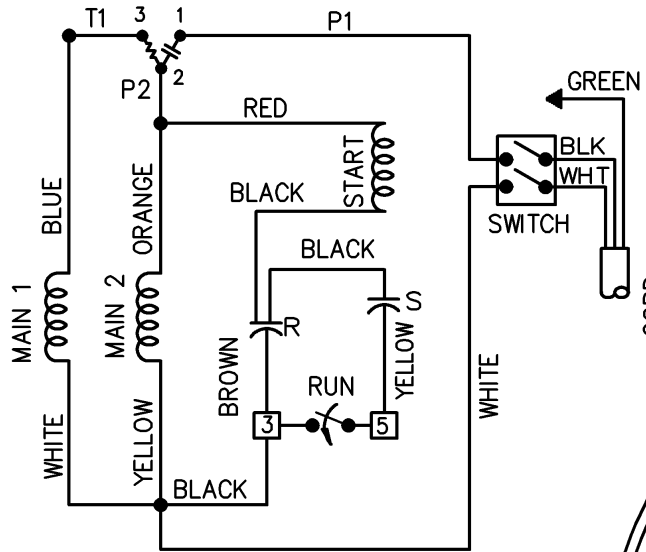
TITLE OUTLINE
56 FRAME - BB - TEFC - 1ø

MAT'L.
FINISH

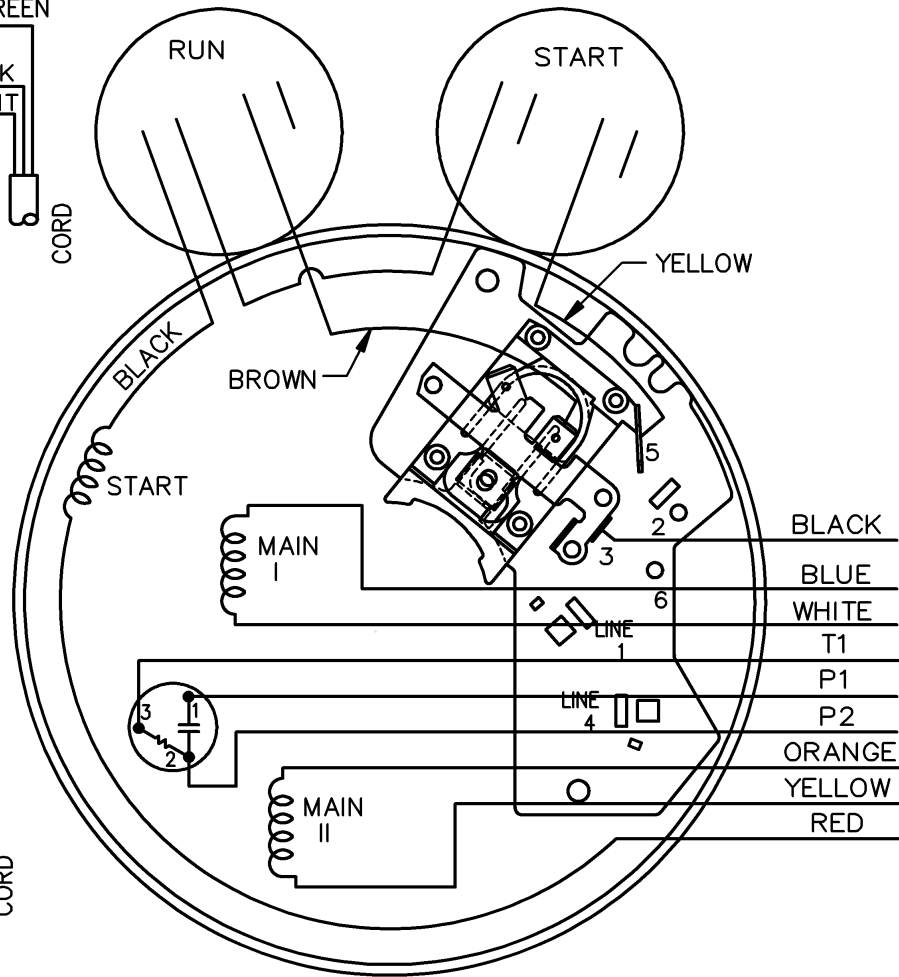
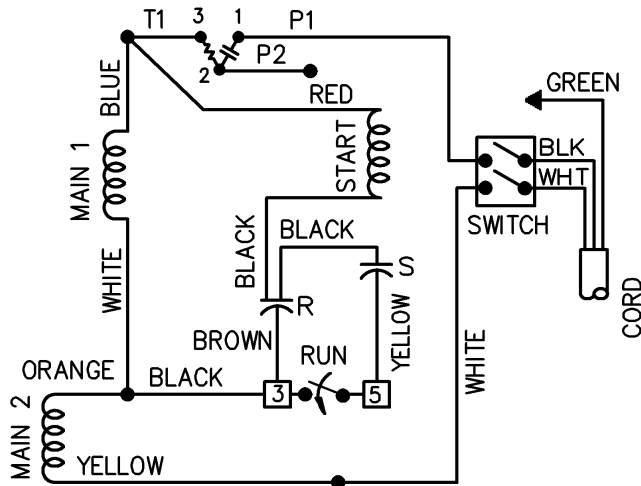
DRAWN PGK 03-26-1997
CHK MRB 03-27-1997
APPD ET 03-31-1997
SCALE 5=16
REF
FMF
PREV

THIS DRAWING IN DESIGN AND DETAIL IS OUR PROPERTY AND MUST NOT BE USED EXCEPT IN CONNECTION WITH OUR WORK ALL RIGHTS OF DESIGN AND INVENTION ARE RESERVED THIS IS AN ELECTRONICALLY GENERATED DOCUMENT - DO NOT SCALE THIS PRINT	RFP	CAD FILE 104267	SIZE A	DRAWING NO. 104267	PAGE OF	REV. 4
	DIST WP					

LOW VOLTAGE C.C.W.



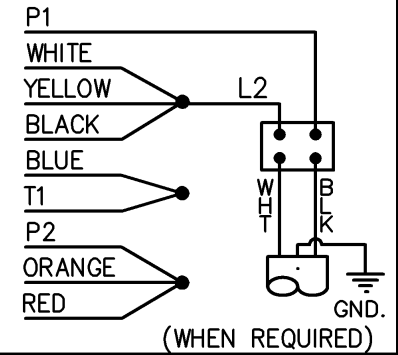
HIGH VOLTAGE C.C.W.



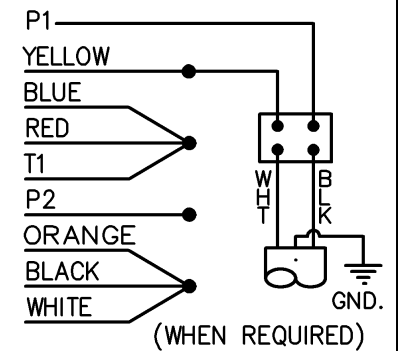
102006-60

DUAL VOLTAGE
CAP START-CAP RUN
OVERLOAD
SELECT ROTATION

LOW VOLT. CCW ROT.



HIGH VOLT. CCW ROT.



FOR CW ROT. EITHER
VOLTAGE INTERCHANGE
RED WITH BLACK LEAD.

				TOLERANCES UNLESS SPECIFIED			DRAWN DD 04-20-1994		
				DEC.	INCHES		CHK ML 04-21-1994	APPD MB 04-26-1994	
03	ADDED (WHEN REQUIRED TO CORD)	MU29193	CAV 02-25-2000	.XX	±.02	TITLE CONNECTION DIAGRAM	SCALE 5=8		
02	CAP LEAD COLORS REV'D	CN 16210	MRB 11-16-1994	.XXX	±.005		REF		
01	NEW DRAWING	4138426	DD 05-02-1994	.XXXX	±.0005		FMF		
NO.	REVISION	BY & DATE	CHK	ANG	±7'30"	FINISH	PREV		
THIS DRAWING IN DESIGN AND DETAIL IS OUR PROPERTY AND MUST NOT BE USED EXCEPT IN CONNECTION WITH OUR WORK ALL RIGHTS OF DESIGN AND INVENTION ARE RESERVED THIS IS AN ELECTRONICALLY GENERATED DOCUMENT - DO NOT SCALE THIS PRINT				RFP	CAD FILE 10200660		SIZE A	DRAWING NO. 102006-60	PAGE OF 03
				DIST	WP				

