

# PRODUCT INFORMATION PACKET

**marathon**<sup>®</sup>  
Motors

Model No: 056B17D5703  
Catalog No: B335  
1,1725/1140,DP,56,1/60/115  
Fan and Blower



Regal and Marathon are trademarks of Regal Beloit Corporation or one of its affiliated companies.

©2018 Regal Beloit Corporation, All Rights Reserved. MC017097E

**REGAL**<sup>®</sup>



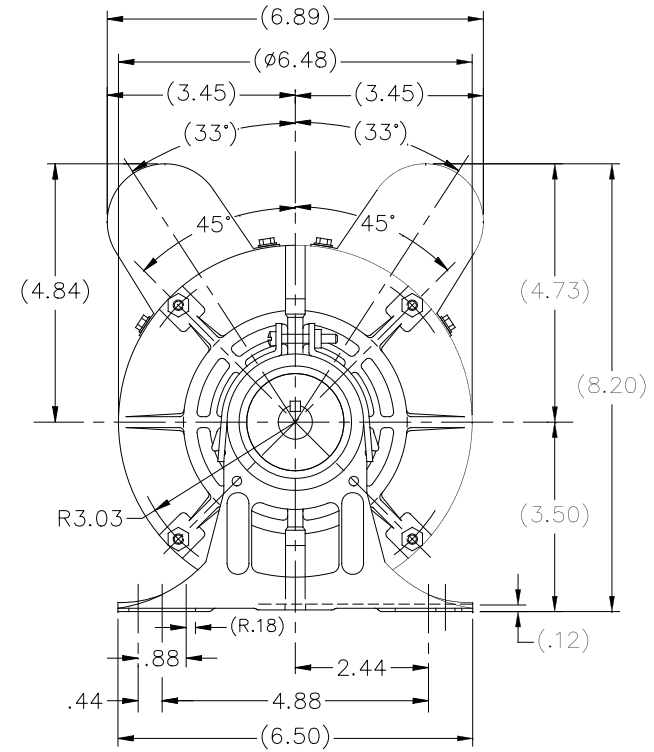
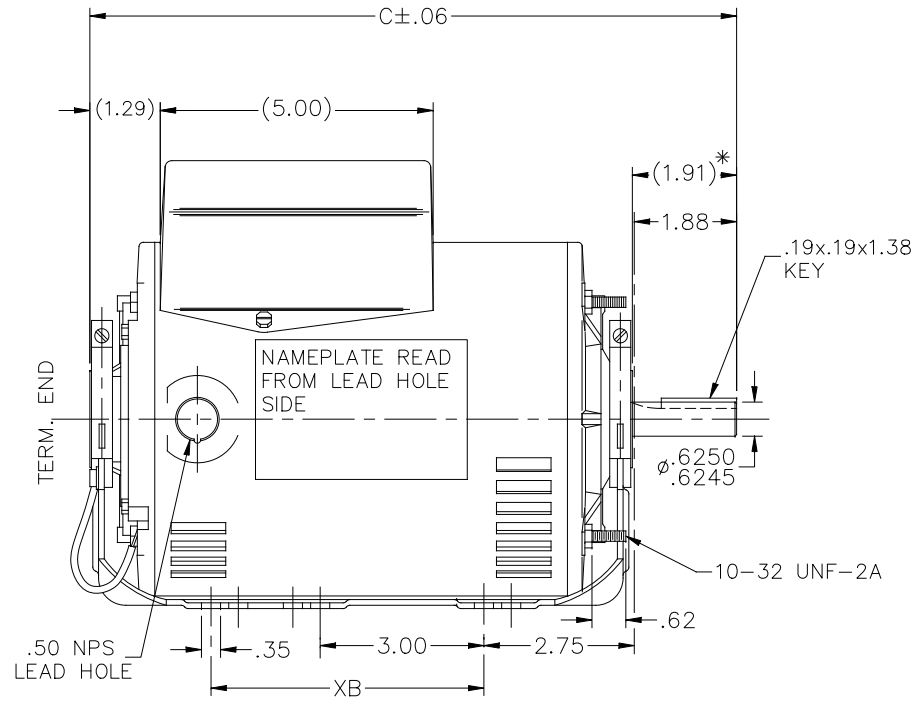
### Nameplate Specifications

Output HP	<b>1,0.33 Hp</b>	Output KW	<b>0.75 kW</b>
Frequency	<b>60 Hz</b>	Voltage	<b>115 V</b>
Current	<b>11.5,7 A</b>	Speed	<b>1725,1140 rpm</b>
Service Factor	<b>1.15</b>	Phase	<b>1</b>
Efficiency	<b>74 %</b>	Duty	<b>Continuous</b>
Insulation Class	<b>B</b>	Design Code	<b>2VT</b>
KVA Code	<b>H</b>	Frame	<b>56</b>
Enclosure	<b>Drip Proof</b>	Overload Protector	<b>Automatic</b>
Ambient Temperature	<b>40 °C</b>	Drive End Bearing Size	<b>6203</b>
Opp Drive End Bearing Size	<b>6203</b>	UL	<b>Recognized</b>
CSA	<b>Y</b>	CE	<b>Y</b>
IP Code	<b>22</b>		

### Technical Specifications

Electrical Type	<b>Capacitor Start Capacitor Run</b>	Starting Method	<b>Across The Line</b>
Poles	<b>4//6</b>	Rotation	<b>Selective Counterclockwise</b>
Mounting	<b>Resilient Base</b>	Motor Orientation	<b>Horizontal</b>
Drive End Bearing	<b>Ball</b>	Opp Drive End Bearing	<b>Ball</b>
Frame Material	<b>Rolled Steel</b>	Shaft Type	<b>T</b>
Overall Length	<b>12.85 in</b>	Frame Length	<b>8.56 in</b>
Shaft Diameter	<b>0.625 in</b>	Shaft Extension	<b>1.91 in</b>
Assembly/Box Mounting	<b>F1 Only</b>		
Outline Drawing	<b>A-100344-856</b>	Connection Diagram	<b>102014-50</b>

**This is an uncontrolled document once printed or downloaded and is subject to change without notice. Date Created: 07/02/2018**

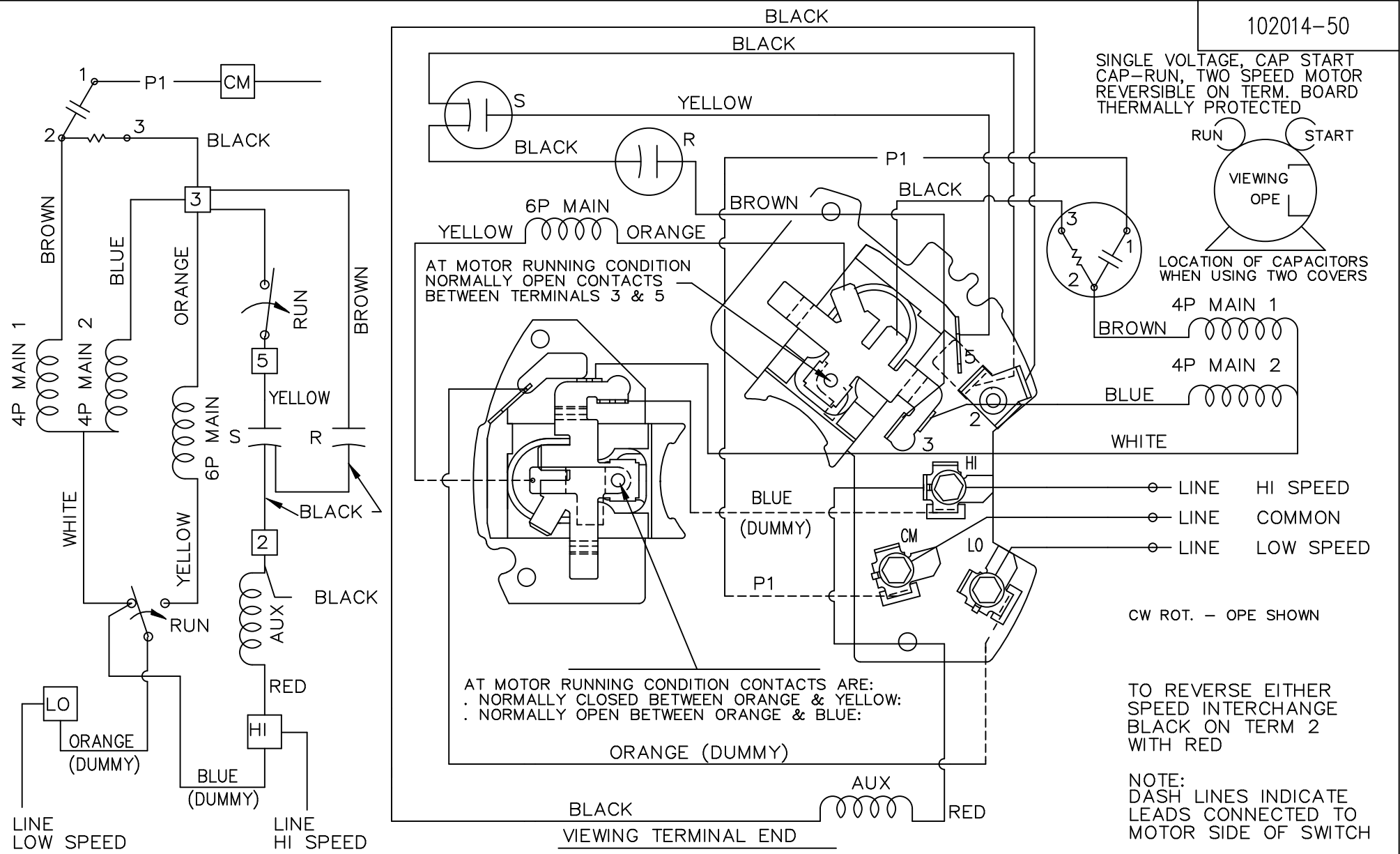


\* DIMENSION IS FROM RESILIENT RING END CAP TO END OF SHAFT

DASH	FRAME	C	XB	DASH	FRAME	C	XB
				856	"-85	12.85	5.00
706	56-70	11.35	0	906	"-90	13.35	5.00
756	"-75	11.85	5.00	956	"-95	13.85	5.00

NO.	REVISION	BY & DATE	CHK	ANG	TOLERANCES UNLESS SPECIFIED		MARATHON ELECTRIC	DRAWN GK 07-18-1989			
					DEC.	INCHES					
6	NOTES ARE DELETED PER ECO-0108883	KK 9-6-16						CHK GP 07-18-1989			
5	REDRAWN IN AUTOCAD	TAT 09-01-2004	ML	X	±.1			APPD ML 07-18-1989			
4	ADDED NOTE	CN 24378	PGK	06-11-1997	.XX	±.03	TITLE OUTLINE	SCALE 11=32			
3	REMOVED 2 VENTS TERM END	CN 14111	ML	04-02-1992	.XXX	±.005	56 FR. - BB - DR.PR. - RESIL. BASE	REF			
2	STUD BOLT EXT. WAS .66/.54	CN 11830	GK	01-23-1990	.XXXX	±.0005	MAT'L.	FMF			
			CHK	ANG	±7'30"		FINISH	PREV			
THIS DRAWING IN DESIGN AND DETAIL IS OUR PROPERTY AND MUST NOT BE USED EXCEPT IN CONNECTION WITH OUR WORK ALL RIGHTS OF DESIGN AND INVENTION ARE RESERVED THIS IS AN ELECTRONICALLY GENERATED DOCUMENT - DO NOT SCALE THIS PRINT					RFP		CAD FILE 100344	SIZE A	DRAWING NO. 100344	PAGE OF	REV. 6
					DIST WP						

SINGLE VOLTAGE, CAP START  
CAP-RUN, TWO SPEED MOTOR  
REVERSIBLE ON TERM. BOARD  
THERMALLY PROTECTED



NO.	REVISION	BY & DATE	CHK	TOLERANCES UNLESS SPECIFIED		MARATHON ELECTRIC	DRAWN ML 02-24-1989 CHK GK 02-24-1989 APPD FG 02-24-1989
				DEC.	INCHES		
4	CAPACITOR LOCATION SHOW CN 11856	GK 01-26-1990		.X	±.1	TITLE CONNECTION DIAGRAM 56-140 FR. TWO SPEED	SCALE
3	ROTATION NOTE REVISED CN 11093	GK 06-29-1989		.XX	±.02		REF
2	TERM @ LO WAS 74257-1 CN 10880	GK 05-10-1989		.XXX	±.005		FMF
1	NEW DRAWING	ML 02-24-1989		.XXXX	±.0005		PREV
					±7'30"		
THIS DRAWING IN DESIGN AND DETAIL IS OUR PROPERTY AND MUST NOT BE USED EXCEPT IN CONNECTION WITH OUR WORK ALL RIGHTS OF DESIGN AND INVENTION ARE RESERVED THIS IS AN ELECTRONICALLY GENERATED DOCUMENT - DO NOT SCALE THIS PRINT				RFP	CAD FILE 102014-50		SIZE A
				DIST WP			DRAWING NO. 102014-50
							PAGE OF 4
							REV. 4

