

PRODUCT INFORMATION PACKET

marathon[®]
Motors

Model No: 056B17D5701
Catalog No: B332
3/4,17/11,DP,56,1/60/115
Self Cooled



Regal and Marathon are trademarks of Regal Beloit Corporation or one of its affiliated companies.

©2019 Regal Beloit Corporation, All Rights Reserved. MC017097E

REGAL



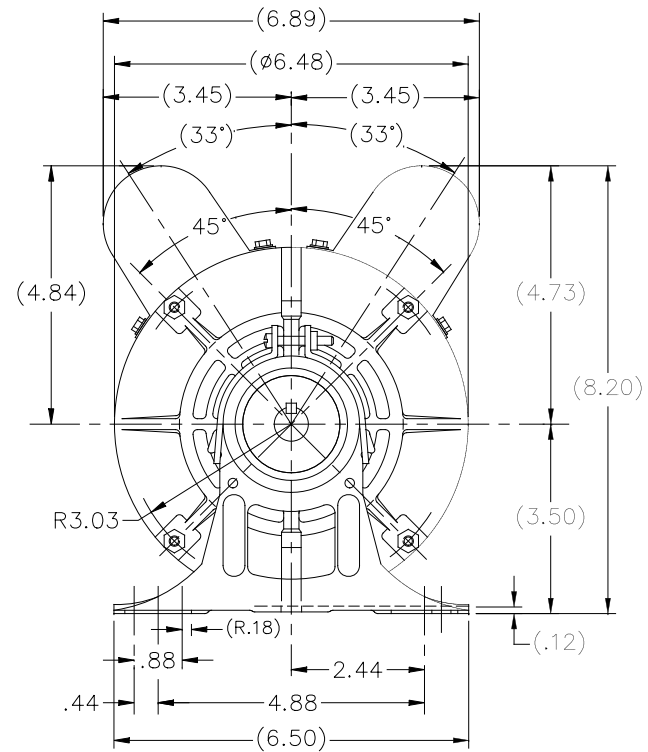
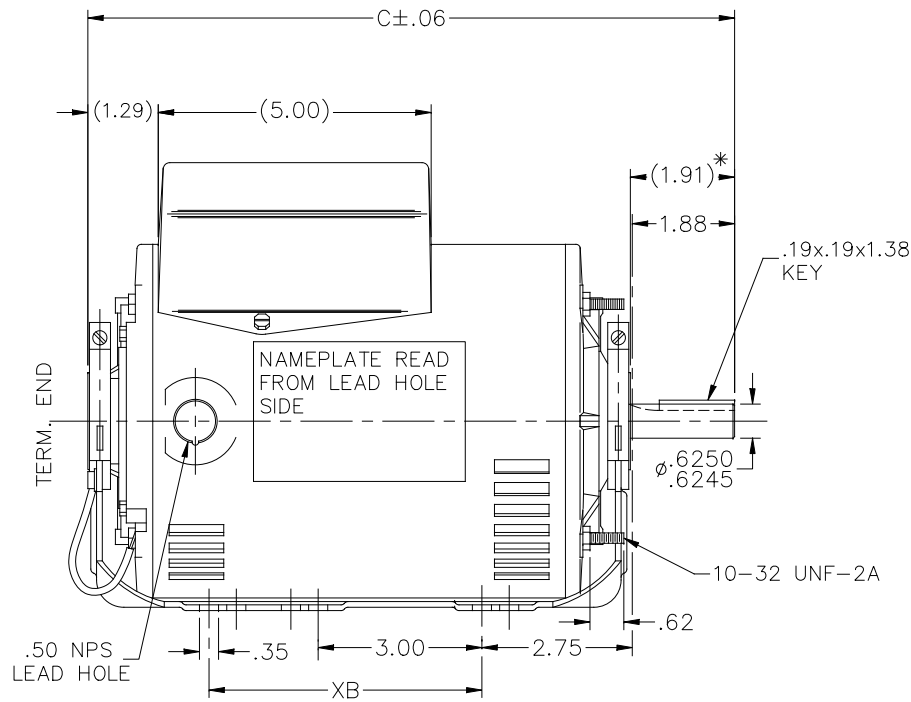
Nameplate Specifications

Output HP	0.75,0.25 Hp	Output KW	0.56 kW
Frequency	60 Hz	Voltage	115 V
Current	8.9,6.1 A	Speed	1725,1140 rpm
Service Factor	1.25	Phase	1
Efficiency	76.1 %	Duty	Continuous
Insulation Class	B	Design Code	2VT
KVA Code	M	Frame	56
Enclosure	Drip Proof	Overload Protector	Automatic
Ambient Temperature	40 °C	Drive End Bearing Size	6203
Opp Drive End Bearing Size	6203	UL	Recognized
CSA	Y	CE	Y
IP Code	12		

Technical Specifications

Electrical Type	Capacitor Start Capacitor Run	Starting Method	Across The Line
Poles	4//6	Rotation	Selective Counterclockwise
Mounting	Resilient Base	Motor Orientation	Horizontal
Drive End Bearing	Ball	Opp Drive End Bearing	Ball
Frame Material	Rolled Steel	Shaft Type	T
Overall Length	12.85 in	Shaft Diameter	0.625 in
Shaft Extension	1.88 in	Assembly/Box Mounting	F1 Only
Outline Drawing	A-100344-856	Connection Diagram	102014-54

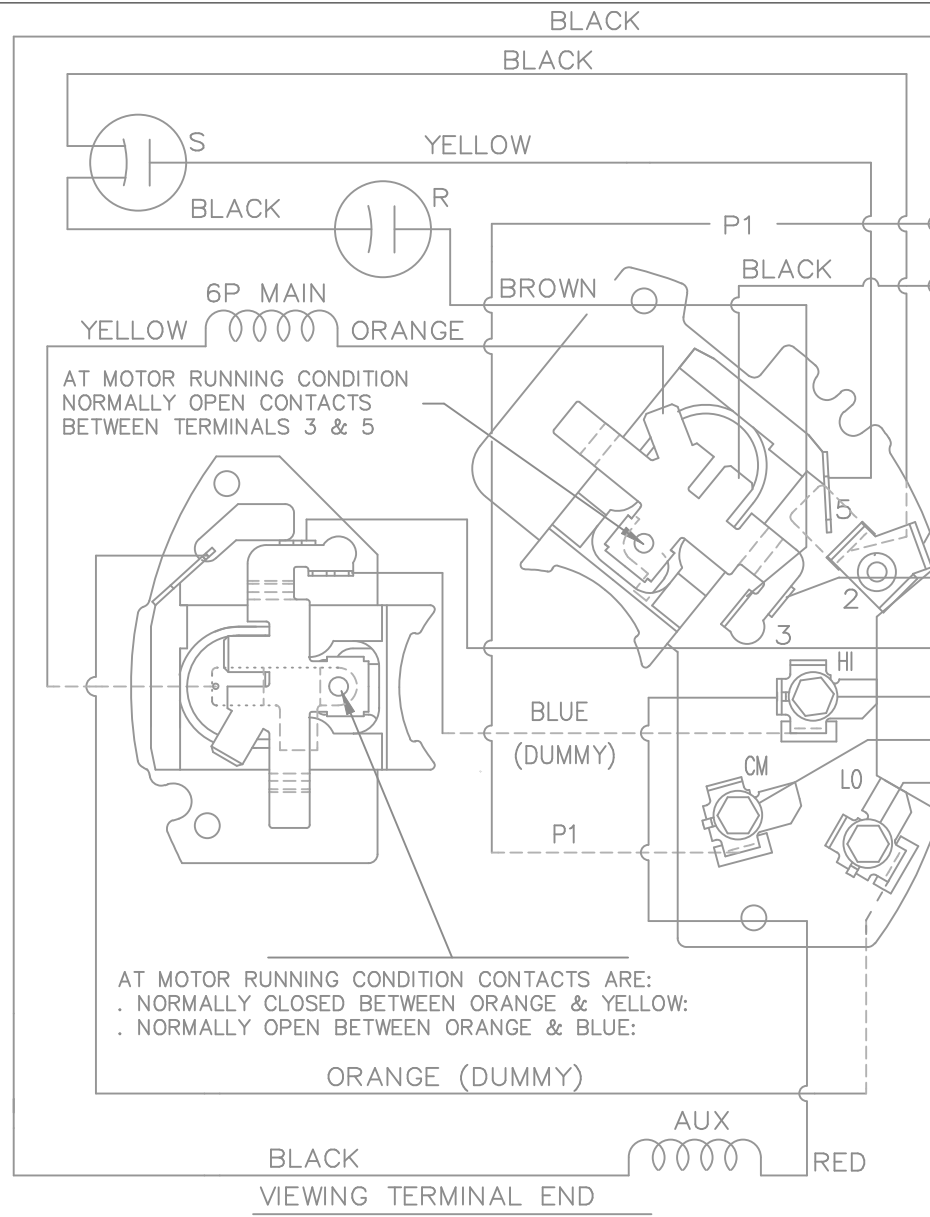
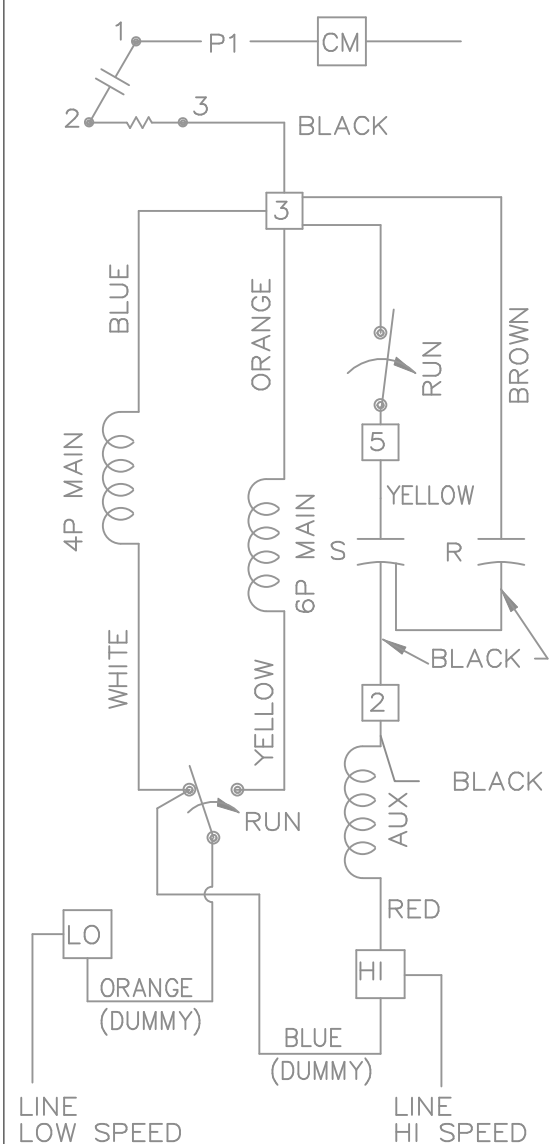
This is an uncontrolled document once printed or downloaded and is subject to change without notice. Date Created: 02/12/2019



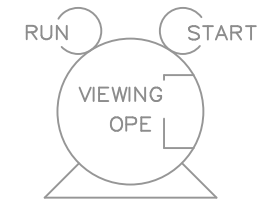
* DIMENSION IS FROM RESILIENT RING END CAP TO END OF SHAFT

DASH	FRAME	C	XB	DASH	FRAME	C	XB
				856	"-85	12.85	5.00
706	56-70	11.35	0	906	"-90	13.35	5.00
756	"-75	11.85	5.00	956	"-95	13.85	5.00

NO.	REVISION	BY & DATE	CHK	ANG	TOLERANCES UNLESS SPECIFIED		MARATHON ELECTRIC	DRAWN GK 07-18-1989
					DEC.	INCHES		
6	NOTES ARE DELETED PER ECO-0108883	KK 9-6-16					TITLE OUTLINE 56 FR. - BB - DR.PR. - RESIL. BASE	CHK GP 07-18-1989
5	REDRAWN IN AUTOCAD	TAT 09-01-2004	ML	X	±.1			APPD ML 07-18-1989
4	ADDED NOTE	CN 24378	PGK	06-11-1997	.XX	±.03	MAT'L.	SCALE 11=32
3	REMOVED 2 VENTS TERM END	CN 14111	ML	04-02-1992	.XXX	±.005		REF
2	STUD BOLT EXT. WAS .66/.54	CN 11830	GK	01-23-1990	.KXX	±.0005		FMF
					CHK	ANG	±7'30"	PREV
THIS DRAWING IN DESIGN AND DETAIL IS OUR PROPERTY AND MUST NOT BE USED EXCEPT IN CONNECTION WITH OUR WORK ALL RIGHTS OF DESIGN AND INVENTION ARE RESERVED THIS IS AN ELECTRONICALLY GENERATED DOCUMENT - DO NOT SCALE THIS PRINT					RFP	CAD FILE 100344		SIZE A
					DIST WP			DRAWING NO. 100344
							PAGE OF 6	
							REV. 6	



SINGLE VOLTAGE
CAP START-CAP RUN
TWO SPEED MOTOR
REVERSIBLE
ON TERM. BOARD
THERMALLY PROTECTED



LOCATION OF CAPACITORS
WHEN USING TWO COVERS



- LINE HI SPEED
- LINE COMMON
- LINE LOW SPEED

CW ROT. OPE SHOWN

TO REVERSE EITHER
SPEED INTERCHANGE
BLACK ON TERM 2
WITH RED

NOTE:
DASH LINES INDICATE
LEADS CONNECTED TO
MOTOR SIDE OF SWITCH

				TOLERANCES UNLESS SPECIFIED		MARATHON ELECTRIC	DRAWN DD 03-16-1994					
				DEC.	INCHES		CHK	ML	06-17-1994			
				.X	± -	TITLE CONNECTION DIAGRAM 56-140 FR. TWO SPEED	APPD	SAT	03-22-1994	SCALE	1=1	
				.XX	± -		REF					
				.XXX	± -		MAT'L.	FMF				
				.XXXX	± -		FINISH	PREV				
1	NEW DRAWING	4135241	DD 03-25-1994									
NO.	REVISION		BY & DATE	CHK	ANG							
THIS DRAWING IN DESIGN AND DETAIL IS OUR PROPERTY AND MUST NOT BE USED EXCEPT IN CONNECTION WITH OUR WORK ALL RIGHTS OF DESIGN AND INVENTION ARE RESERVED THIS IS AN ELECTRONICALLY GENERATED DOCUMENT - DO NOT SCALE THIS PRINT				RFP		CAD FILE 102014-54	SIZE	DRAWING NO.	PAGE	OF	REV.	
				DIST	WP		A	102014-54			1	

CERTIFICATION DATA SHEET

Model#: 56B17D5701 F WINDING#: ZB(4-6)2 NONE 1
 CONN. DIAGRAM: 102014-54 ASSEMBLY: F1 ONLY
 OUTLINE: A-100344-856

TYPICAL MOTOR PERFORMANCE DATA

HP	KW	SYNC. RPM	F.L. RPM	FRAME	ENCLOSURE	KVA CODE	DESIGN
3/4&1/4	-	1200	1725&1140	56	DP	H	2VT

PH	Hz	VOLTS	FL AMPS	START TYPE	DUTY	INSL	S.F	AMB°C	ELEVATION
1	60/60	115	8.9&6.1	ACROSS THE LINE	CONTINUOUS	B3	1.25/1.25	40	3300

FULL LOAD EFF: -	3/4 LOAD EFF: -	1/2 LOAD EFF: -	GTD. EFF	ELEC. TYPE	NO LOAD AMPS
FULL LOAD PF: -	3/4 LOAD PF: -	1/2 LOAD PF: -	-	CAP START CAP RUN	4.9

F.L. TORQUE	LOCKED ROTOR AMPS	L.R. TORQUE	B.D. TORQUE	F.L. RISE°C
18.1 LB-FT	39.4	50.9 LB-FT -	36.3 LB-FT -	-

SOUND PRESSURE @ 3 FT.	SOUND POWER	ROTOR WK^2	MAX. WK^2	SAFE STALL TIME	STARTS /HOUR	APPROX. MOTOR WGT
- dBA	- dBA	- LB-FT^2	- LB-FT^2	- SEC.	-	- LBS.

*** SUPPLEMENTAL INFORMATION ***

DE BRACKET TYPE	ODE BRACKET TYPE	MOUNT TYPE	ORIENTATION	SEVERE DUTY	HAZARDOUS LOCATION	DRIP COVER	SCREENS	PAINT
STANDARD	STANDARD	RESILIENT BASE	HORIZONTAL	FALSE	NONE	FALSE	NONE	GRAY (POWDER)

BEARINGS		GREASE	SHAFT TYPE	SPECIAL DE	SPECIAL ODE	SHAFT MATERIAL	FRAME MATERIAL
DE	OPE	POLYREX EM	T	NONE	NONE	1144 STRESSPROOF (C-223)	ROLLED STEEL
BALL	BALL						
6203	6203						

THERMO-PROTECTORS				THERMISTORS	CONTROL	SPACE /n HEATERS
THERMOSTATS	PROTECTORS	WDG RTDs	BRG RTDs	NONE	FALSE	NONE VOLTS
NONE	AUTOMATIC	NONE	NONE			

If Inverter equals NONE, contact factory for further information

*
N
O
T
E
S
*

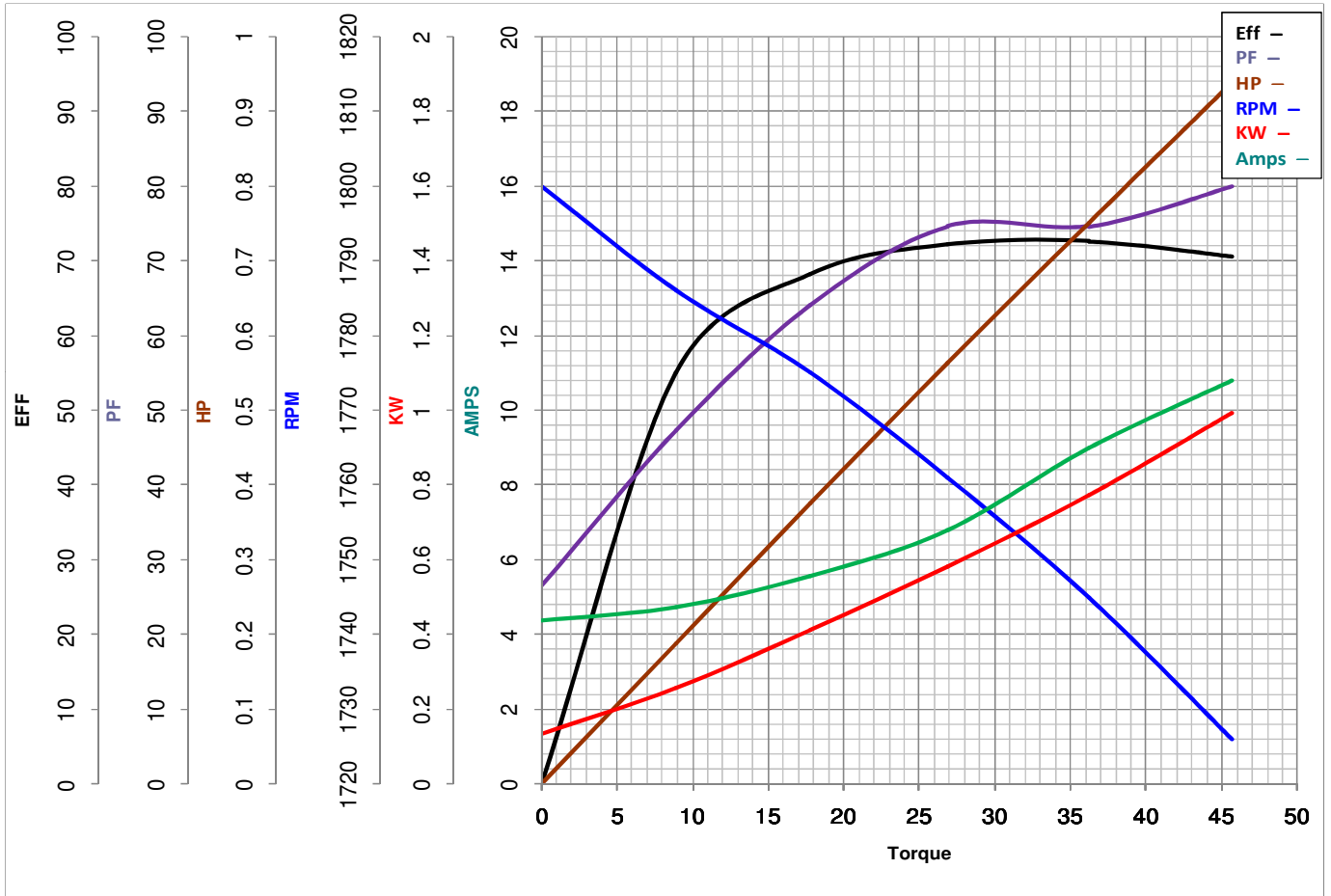
INVERTER TORQUE: NONE
INV. HP SPEED RANGE: NONE
ENCODER: NONE
NONE NONE
NONE NONE PPR
BRAKE: NONE NONE
NONE P/N NONE
NONE NONE
NONE FT-LB NONE V NONE Hz

DATE: 06/27/2017 05:41:04 AM
 FORM 3531 REV.3 02/07/99
 ** Subject to change without notice.



MARATHON ELECTRIC CORPORATION
TYPICAL PERFORMANCE CURVE for AC MOTOR

Customer _____ Curve at 115 Volts HP 0.75&0.25 PHASE 1
60 HZ
 Model No 56B17D5701 0.75 HP VOLTS 115&115
 Catalog No B332 HZ 60&60 RPM 1725&1140



				Torque in OZ-FT	
FL TORQUE	<u>36.2</u>	OZ-FT	FL AMPS	<u>8.9</u>	
BD TORQUE	<u>73.5</u>	OZ-FT	PU TORQUE	<u>34.2</u>	OZ-FT
LR TORQUE	<u>52.1</u>	OZ-FT	LR AMPS	<u>39.6</u>	
WINDING	ZB(4-6)2-1		Date	1/11/2019	