

PRODUCT INFORMATION PACKET

marathon®
Motors

Model No: 056B17D56
Catalog No: K016
3/4,1800,DP,56,1/60/115/208-230
Pressure Washers



Regal and Marathon are trademarks of Regal Beloit Corporation or one of its affiliated companies.
©2018 Regal Beloit Corporation, All Rights Reserved. MC017097E

REGAL

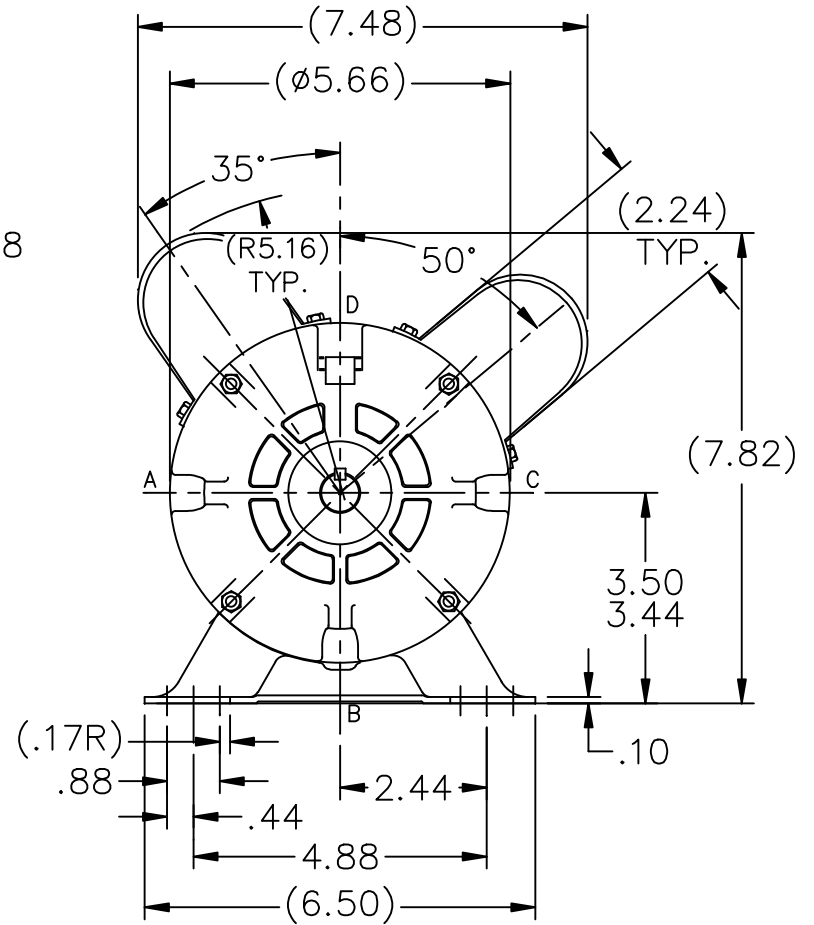
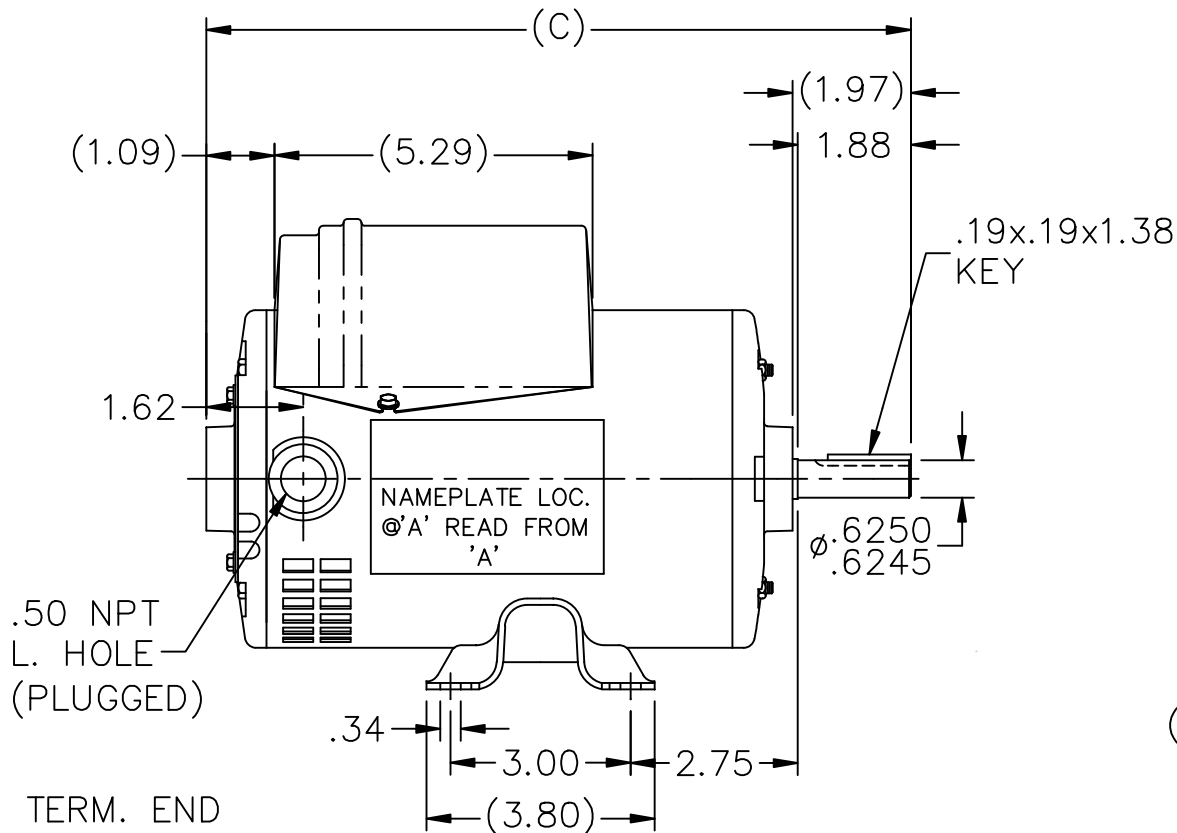
Nameplate Specifications

Output HP	0.75 Hp	Output KW	0.56 kW
Frequency	60 Hz	Voltage	115/208-230 V
Current	11.0/5.5 A	Speed	1725 rpm
Service Factor	1.25	Phase	1
Efficiency	72 %	Duty	Continuous
Insulation Class	B	Design Code	NO DESIGN CODE
KVA Code	K	Frame	56
Enclosure	Drip Proof	Overload Protector	Manual
Ambient Temperature	40 °C	Drive End Bearing Size	6203
Opp Drive End Bearing Size	6203	UL	Recognized
CSA	Y	CE	Y
IP Code	22		

Technical Specifications

Electrical Type	Capacitor Start Capacitor Run	Starting Method	Across The Line
Poles	4	Rotation	Selective Counterclockwise
Mounting	Rigid Base	Motor Orientation	Horizontal
Drive End Bearing	Ball	Opp Drive End Bearing	Ball
Frame Material	Rolled Steel	Shaft Type	T
Overall Length	11.47 in	Frame Length	7.50 in
Shaft Diameter	0.625 in	Shaft Extension	1.97 in
Assembly/Box Mounting	F1 Only		
Outline Drawing	A-SS73711-750	Connection Diagram	A-EE9002F

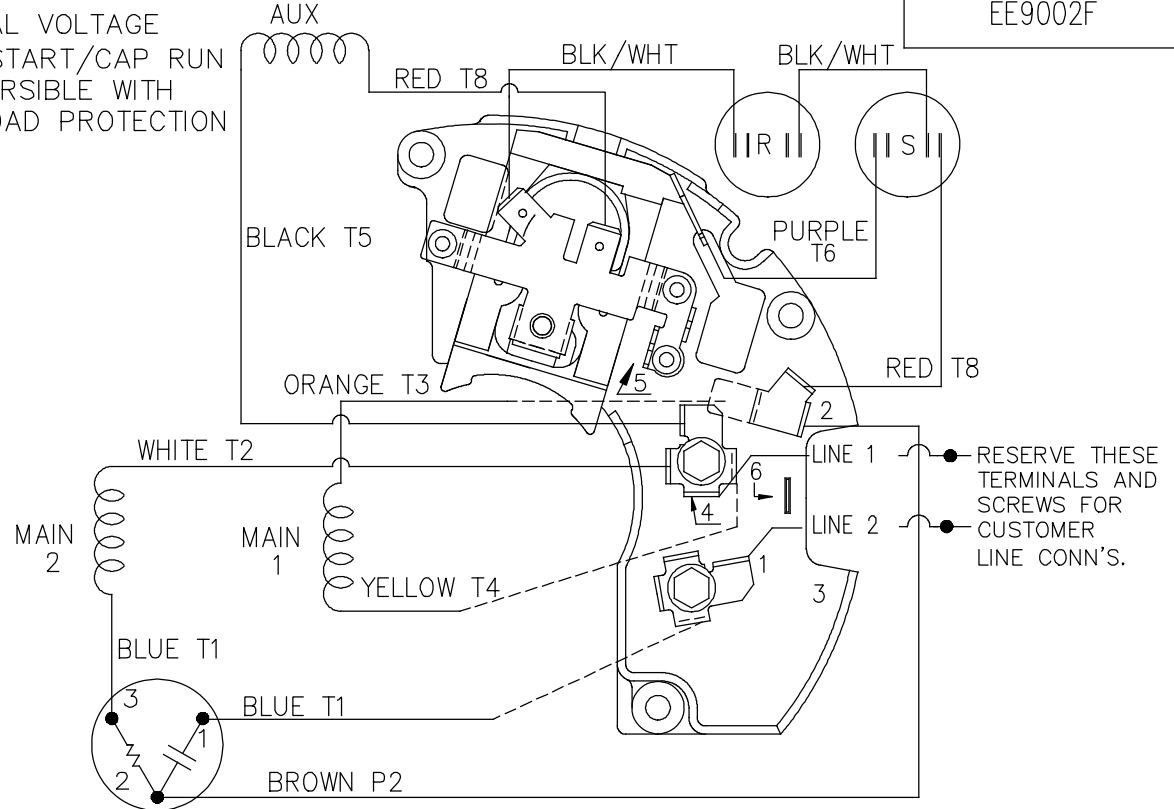
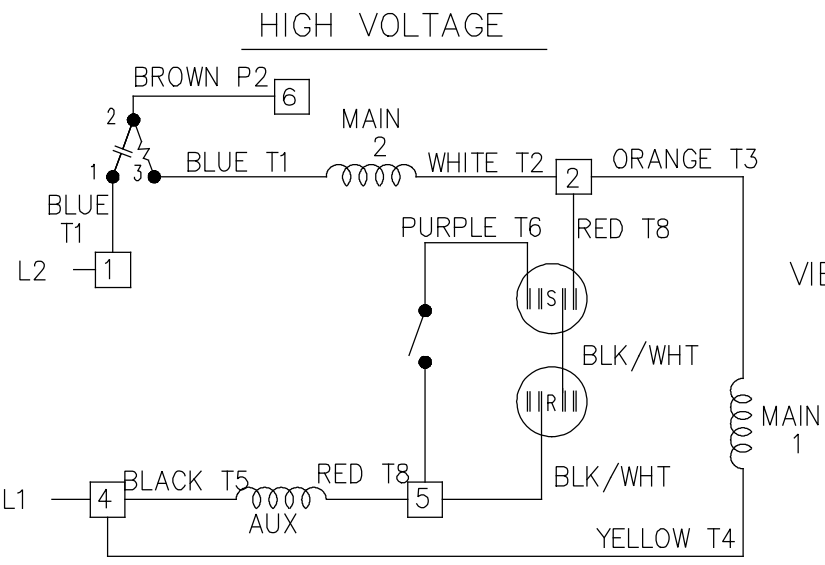
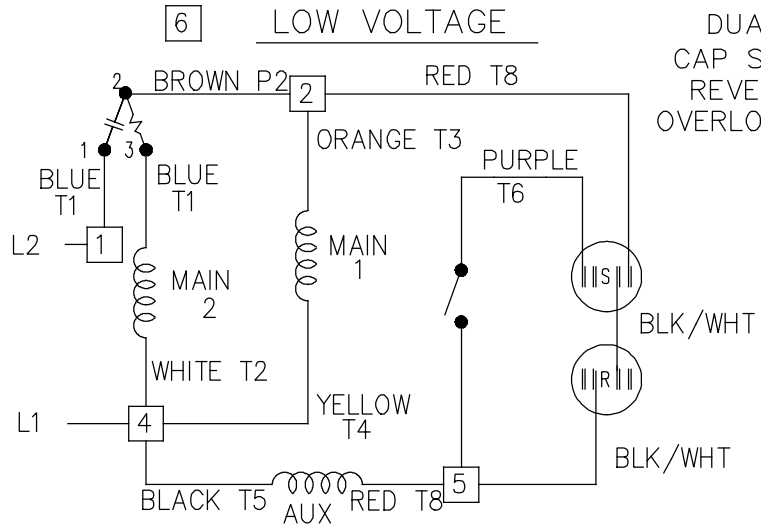
This is an uncontrolled document once printed or downloaded and is subject to change without notice. Date Created: 10/08/2018



DASH	C
700	10.97
725	11.22
750	11.47

			TOLERANCES UNLESS SPECIFIED			DRAWN SMC 03-07-1991				
			DEC.	INCHES		CHK	ML	03-08-1991		
7	CHG NP LOC 'READ FROM' NOTE ISAAC 10-5176	TF 12-09-2010	.X	±.1	TITLE OUTLINE 48 FR. - 1ø	APPD	GK	03-08-1991		
6	HEIGHT DIM IS CHANGED TO BIGGER CAP COVER SIDE.	HKY 09-13-2010	.XX	±.03		SCALE	5=16			
5	REDRAWN IN AUTOCAD	TAT 05-19-2005	ML	.XXX ±.005		REF				
4	REDRAWN ON CADD	SMC 03-07-1991		.XXXX ±.0005		MAT'L.			FMF	
NO.	REVISION	BY & DATE	CHK	ANG ±7'30"		FINISH			PREV	
THIS DRAWING IN DESIGN AND DETAIL IS OUR PROPERTY AND MUST NOT BE USED EXCEPT IN CONNECTION WITH OUR WORK ALL RIGHTS OF DESIGN AND INVENTION ARE RESERVED THIS IS AN ELECTRONICALLY GENERATED DOCUMENT - DO NOT SCALE THIS PRINT			RFP	CAD FILE ss73711		SIZE	DRAWING NO.	PAGE	OF	REV.
			DIST	WP	A		SS73711			7

12/9/2010 11:12:57 AM




VIEWING TERM END

LOW VOLTAGE CCW ROTATION SHOWN.

FOR HIGH VOLTAGE
CONNECT BROWN TERM 2 TO TERM 6.
CONNECT WHITE TERM 4 TO TERM 2.

TO REVERSE ROTATION EITHER
VOLTAGE INTERCHANGE RED
LEAD WITH BLACK LEAD.

DASH LINES INDICATE LEADS CONNECTED
TO MOTOR SIDE OF SWITCH.

6	ADDED T MARKINGS	DS 07/19/2018	VC	TOLERANCES UNLESS SPECIFIED		 Regal Beloit America, Inc.	DRAWN ML 02-11-1988		
5	REVISED LINE 2 LOCATION	RM 01-28-1991		DEC.	INCHES		CHK FG 02-11-1988		
4	UPDATED SCHEMATIC PER CN 6014	DA 08-01-1990		.X	± -	APPD DNR 03-11-1988			
3	RED LEAD FROM AUX WAS ON ANGLE TERM.	DA 07-02-1990		.XX	± -	TITLE CONNECTION DIAGRAM	SCALE 1=1		
	PURPLE LEAD WAS RED CN 6014			.XXX	± -	48 FR. DUAL VOLTAGE REVERSIBLE	REF		
2	ADDED CUSTOMER CONNECTION NOTE. CN 6011	BW 08-03-1989		.XXXX	± -	MAT'L.	FMF		
NO.	REVISION	BY & DATE	CHK	ANG	± -	FINISH	PREV		
THIS DRAWING IN DESIGN AND DETAIL IS OUR PROPERTY AND MUST NOT BE USED EXCEPT IN CONNECTION WITH OUR WORK ALL RIGHTS OF DESIGN AND INVENTION ARE RESERVED THIS IS AN ELECTRONICALLY GENERATED DOCUMENT - DO NOT SCALE THIS PRINT			RFP	CAD FILE EE9002F		SIZE A	DRAWING NO. EE9002F	PAGE OF	REV. 6
			DIST WP						

CERTIFICATION DATA SHEET

Model#: 56B17D56 J **WINDING#:** BE48410 NONE 3
CONN. DIAGRAM: A-EE9002F **ASSEMBLY:** F1 ONLY
OUTLINE: A-SS73711-750

TYPICAL MOTOR PERFORMANCE DATA

HP	KW	SYNC. RPM	F.L. RPM	FRAME	ENCLOSURE	KVA CODE	DESIGN
3/4	.56	1800	1725	56	DP	K	NO DESIGN CODE

PH	Hz	VOLTS	FL AMPS	START TYPE	DUTY	INSL	S.F	AMB°C	ELEVATION
1	60	115/208-230	11/5.5	ACROSS THE LINE	CONTINUOUS	B3	1.25	40	3300

FULL LOAD EFF: 72.0	3/4 LOAD EFF: 68.3	1/2 LOAD EFF: 62.2	GTD. EFF	ELEC. TYPE	NO LOAD AMPS
FULL LOAD PF: -	3/4 LOAD PF: 56.9	1/2 LOAD PF: 44.3	0	CAP START CAP RUN	7 / 3.5

F.L. TORQUE	LOCKED ROTOR AMPS	L.R. TORQUE	B.D. TORQUE	F.L. RISE°C
36 LB-FT	57 / 28.5	118 LB-FT 328	88 LB-FT 244	-

SOUND PRESSURE @ 3 FT.	SOUND POWER	ROTOR WK^2	MAX. WK^2	SAFE STALL TIME	STARTS /HOUR	APPROX. MOTOR WGT
- dBA	- dBA	0 LB-FT^2	- LB-FT^2	- SEC.	-	0 LBS.

***** SUPPLEMENTAL INFORMATION *****

DE BRACKET TYPE	ODE BRACKET TYPE	MOUNT TYPE	ORIENTATION	SEVERE DUTY	HAZARDOUS LOCATION	DRIP COVER	SCREENS	PAINT
STANDARD	STANDARD	RIGID	HORIZONTAL	FALSE	NONE	FALSE	NONE	GRAY (POWDER)

BEARINGS		GREASE	SHAFT TYPE	SPECIAL DE	SPECIAL ODE	SHAFT MATERIAL	FRAME MATERIAL
DE	OPE	MULTEMP SRL	T	NONE	NONE	1144 STRESSPROOF (C-223)	ROLLED STEEL
BALL	BALL						
6203	6203						

THERMO-PROTECTORS				THERMISTORS	CONTROL	SPACE /n HEATERS
THERMOSTATS	PROTECTORS	WDG RTDs	BRG RTDs			
NONE	MANUAL	NONE	NONE	NONE	FALSE	NONE VOLTS

If Inverter equals NONE, contact factory for further information

INVERTER TORQUE: NONE
INV. HP SPEED RANGE: NONE
ENCODER: NONE
NONE NONE
NONE NONE PPR
BRAKE: NONE NONE
NONE P/N NONE
NONE NONE
NONE FT-LB NONE V NONE Hz

*
N
O
T
E
S
*

DATE: 06/21/2017 09:17:27 AM
 FORM 3531 REV.3 02/07/99
 ** Subject to change without notice.