

PRODUCT INFORMATION PACKET

marathon[®]
Motors

Model No: 056B17D5328
Catalog No: G290
1 1/2, 1725, DP, 56HC, 1/60/115/208-230
Pressure Washers



Regal and Marathon are trademarks of Regal Beloit Corporation or one of its affiliated companies.

©2018 Regal Beloit Corporation, All Rights Reserved. MC017097E

REGAL



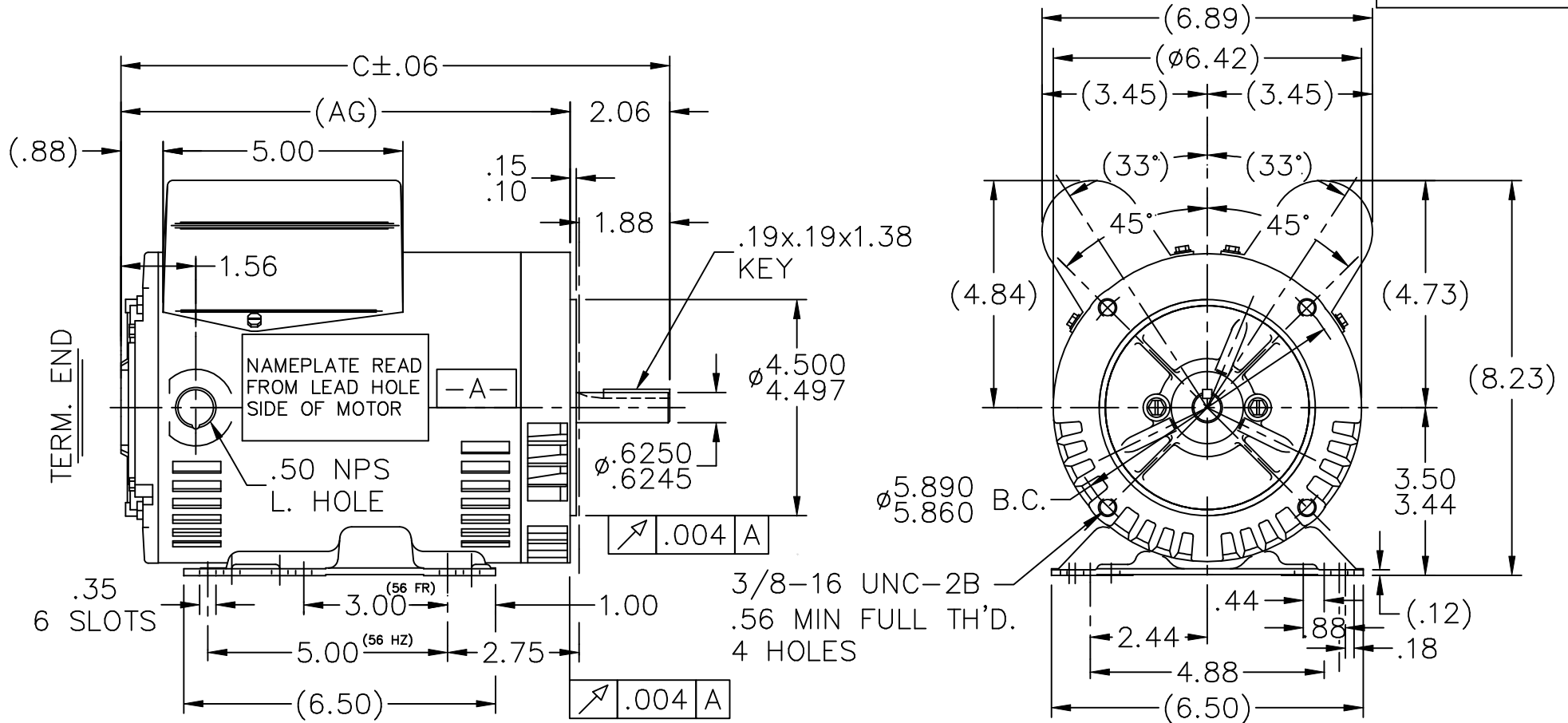
Nameplate Specifications

Output HP	1.50 Hp	Output KW	1.1 kW
Frequency	60 Hz	Voltage	115/208-230 V
Current	13.2/7.2-6.6 A	Speed	1725 rpm
Service Factor	1.15	Phase	1
Efficiency	81.5 %	Duty	Continuous
Insulation Class	B	Design Code	NO DESIGN CODE
KVA Code	J	Frame	56HC
Enclosure	Drip Proof	Overload Protector	Manual
Ambient Temperature	40 °C	Drive End Bearing Size	6203
Opp Drive End Bearing Size	6203	UL	Recognized
CSA	Y	CE	N
IP Code	22		

Technical Specifications

Electrical Type	Capacitor Start Capacitor Run	Starting Method	Across The Line
Poles	4	Rotation	Selective Counterclockwise
Mounting	Rigid base	Motor Orientation	Horizontal
Drive End Bearing	Ball	Opp Drive End Bearing	Ball
Frame Material	Rolled Steel	Shaft Type	NEMA 56
Overall Length	11.94 in	Frame Length	8.06 in
Shaft Diameter	0.625 in	Shaft Extension	2.06 in
Assembly/Box Mounting	F1 Only		
Outline Drawing	A-100168-806	Connection Diagram	102006-2

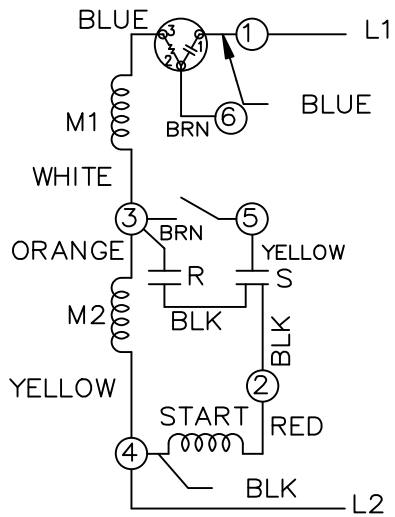
This is an uncontrolled document once printed or downloaded and is subject to change without notice. Date Created: 06/29/2018



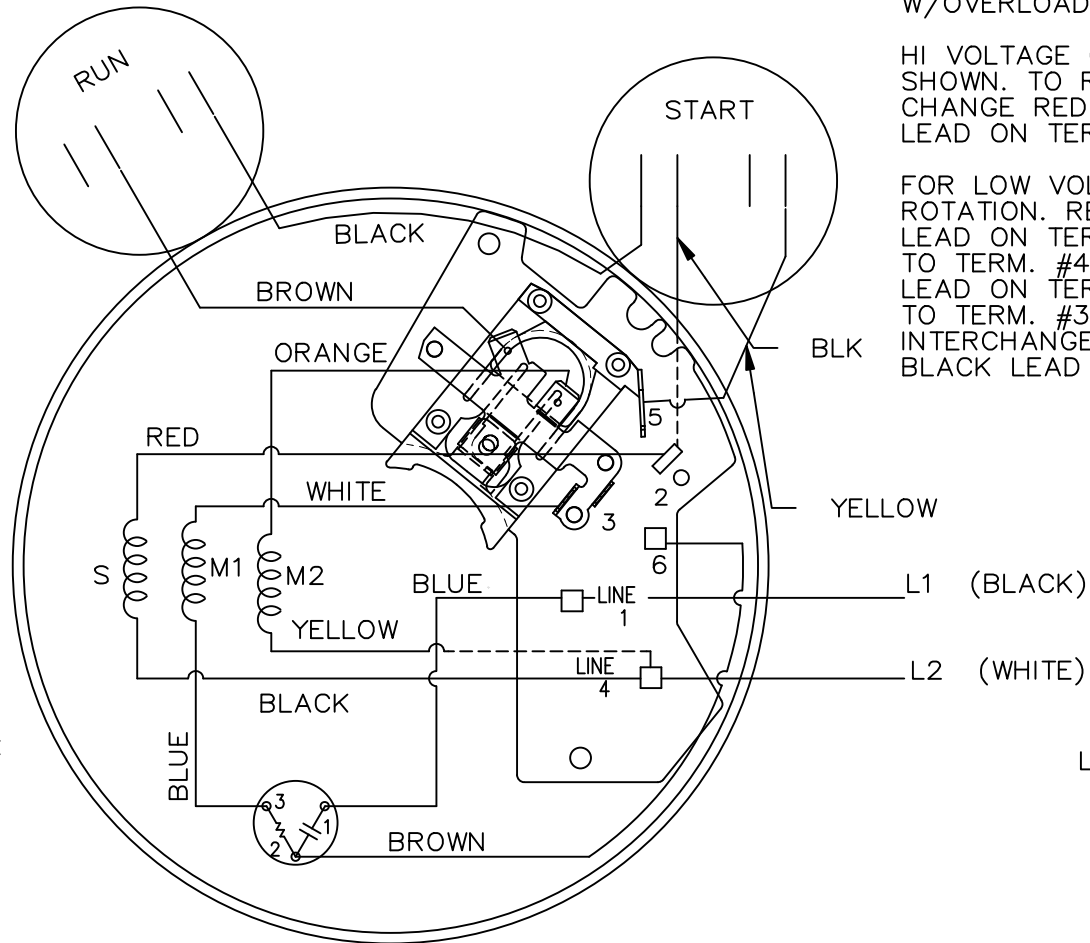
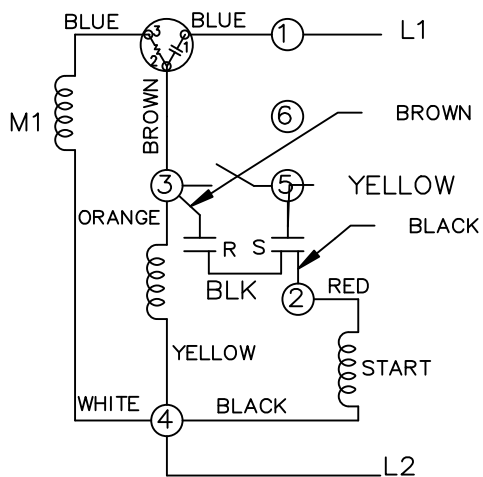
DASH	FR.	C	AG	DASH	FR.	C	AG
				806	56-80	11.94	9.87
656	56-65	10.44	8.37	856	"-85	12.44	10.37
706	"-70	10.94	8.87	906	"-90	12.94	10.87
756	"-75	11.44	9.37				

				TOLERANCES UNLESS SPECIFIED			DRAWN RM 05-10-1991					
				DEC.	INCHES		CHK ML 05-13-1991					
				.X	±.1		APPD GK 05-13-1991					
6	UPDATED DRAWING			RJW 03-28-2007	.XX	±.03	TITLE OUTLINE 56 FR. - BB - DR.PR. - C' FACE - 1ø				SCALE 5=16	
5	REDRAWN IN AUTOCAD			TAT 06-13-2005	ML	.XXX					±.005	REF
4	REDRAWN ON CAD			RM 05-10-1991		.XXXX	±.0005	MAT'L.	FMF			
NO.	REVISION			BY & DATE	CHK	ANG	±7'30"	FINISH	PREV			
THIS DRAWING IN DESIGN AND DETAIL IS OUR PROPERTY AND MUST NOT BE USED EXCEPT IN CONNECTION WITH OUR WORK ALL RIGHTS OF DESIGN AND INVENTION ARE RESERVED THIS IS AN ELECTRONICALLY GENERATED DOCUMENT - DO NOT SCALE THIS PRINT					RFP	CAD FILE 100168			SIZE A	DRAWING NO. 100168	PAGE OF	REV. 6
					DIST WP							

HIGH VOLTAGE C.C.W.



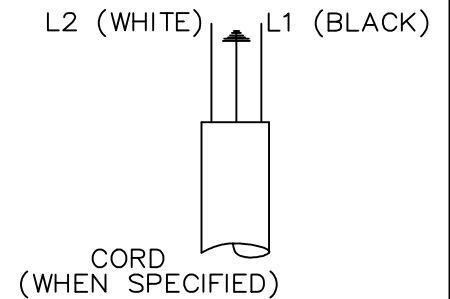
LOW VOLTAGE C.C.W.



DUAL VOLTAGE CAPACITOR
START, CAPACITOR RUN
W/OVERLOAD AND SELECT ROTATION

HI VOLTAGE C.C.W. ROTATION
SHOWN. TO REVERSE INTER-
CHANGE RED WITH BLACK
LEAD ON TERMS. 2 & 4.

FOR LOW VOLTAGE C.C.W.
ROTATION. REMOVE WHITE
LEAD ON TERM. #3 & ATTACH
TO TERM. #4. REMOVE BROWN
LEAD ON TERM. #6 ATTACH
TO TERM. #3. TO REVERSE
INTERCHANGE RED WITH
BLACK LEAD ON TERMS. 2 & 4.



		TOLERANCES UNLESS SPECIFIED		MARATHON ELECTRIC	DRAWN PGK 08-26-1996		
		DEC.	INCHES		CHK	ML	09-05-1996
		.X	±.1	TITLE CONNECTION DIAGRAM	APPD	GK 09-05-1996	
		.XX	±.02		SCALE	5=8	
7	UPDATED PER IS11-3490	PN	8/31/2011		VC	.XXX	±.005
6	REDRAWN ON CADD	PGK	09-05-1996		.XXXX	±.0005	
NO.	REVISION	BY & DATE	CHK	ANG	±7'30"	FINISH	PREV
THIS DRAWING IN DESIGN AND DETAIL IS OUR PROPERTY AND MUST NOT BE USED EXCEPT IN CONNECTION WITH OUR WORK ALL RIGHTS OF DESIGN AND INVENTION ARE RESERVED THIS IS AN ELECTRONICALLY GENERATED DOCUMENT - DO NOT SCALE THIS PRINT			RFP	CAD FILE 102006_3		SIZE	DRAWING NO. PAGE OF REV.
			DIST	WP	A	102006-2	7

CERTIFICATION DATA SHEET

Model#: 56B17D5328 B **WINDING#:** ZB436 NONE 3
CONN. DIAGRAM: 102006-2 **ASSEMBLY:** F1 ONLY
OUTLINE: A-100168-806

TYPICAL MOTOR PERFORMANCE DATA

HP	KW	SYNC. RPM	F.L. RPM	FRAME	ENCLOSURE	KVA CODE	DESIGN
1 1/2	1.12	1800	1725	56HC	DP	J	NO DESIGN CODE

PH	Hz	VOLTS	FL AMPS	START TYPE	DUTY	INSL	S.F	AMB°C	ELEVATION
1	60	115/208-230	13.2/7.2-6.6	ACROSS THE LINE	CONTINUOUS	B3	1.15	40	3300

FULL LOAD EFF: 81.5	3/4 LOAD EFF: 78	1/2 LOAD EFF: 72	GTD. EFF	ELEC. TYPE	NO LOAD AMPS
FULL LOAD PF: 92.5	3/4 LOAD PF: 92.1	1/2 LOAD PF: 87.7	77	CAP START CAP RUN	4.3 / 2.2

F.L. TORQUE	LOCKED ROTOR AMPS	L.R. TORQUE	B.D. TORQUE	F.L. RISE°C
4.52 LB-FT	100 / 50	11.9 LB-FT 263	11.8 LB-FT 261	60

SOUND PRESSURE @ 3 FT.	SOUND POWER	ROTOR WK^2	MAX. WK^2	SAFE STALL TIME	STARTS /HOUR	APPROX. MOTOR WGT
- dBA	- dBA	- LB-FT^2	- LB-FT^2	10 SEC.	-	- LBS.

***** SUPPLEMENTAL INFORMATION *****

DE BRACKET TYPE	ODE BRACKET TYPE	MOUNT TYPE	ORIENTATION	SEVERE DUTY	HAZARDOUS LOCATION	DRIP COVER	SCREENS	PAINT
C-FACE	STANDARD	RIGID	HORIZONTAL	FALSE	NONE	FALSE	NONE	GRAY (POWDER)

BEARINGS		GREASE	SHAFT TYPE	SPECIAL DE	SPECIAL ODE	SHAFT MATERIAL	FRAME MATERIAL
DE	OPE	POLYREX EM	STANDARD 56	NONE	NONE	1144 STRESSPROOF (C-223)	ROLLED STEEL
BALL	BALL						
6203	6203						

THERMO-PROTECTORS				THERMISTORS	CONTROL	SPACE /n HEATERS
THERMOSTATS	PROTECTORS	WDG RTDs	BRG RTDs			
NONE	MANUAL	NONE	NONE	NONE	FALSE	NONE VOLTS

If Inverter equals NONE, contact factory for further information

INVERTER TORQUE: NONE
INV. HP SPEED RANGE: NONE
ENCODER: NONE
NONE NONE
NONE NONE PPR
BRAKE: NONE NONE
NONE P/N NONE
NONE NONE
NONE FT-LB NONE V NONE Hz

*
N
O
T
E
S
*

DATE: 06/27/2017 05:40:01 AM
 FORM 3531 REV.3 02/07/99
 ** Subject to change without notice.