

PRODUCT INFORMATION PACKET

marathon[®]
Motors

Model No: 056B17D5323
Catalog No: G958
1-1/2,1725,DP,56H,1/60/115/208-230
Pressure Washers



Regal and Marathon are trademarks of Regal Beloit Corporation or one of its affiliated companies.

©2018 Regal Beloit Corporation, All Rights Reserved. MC017097E

REGAL[®]



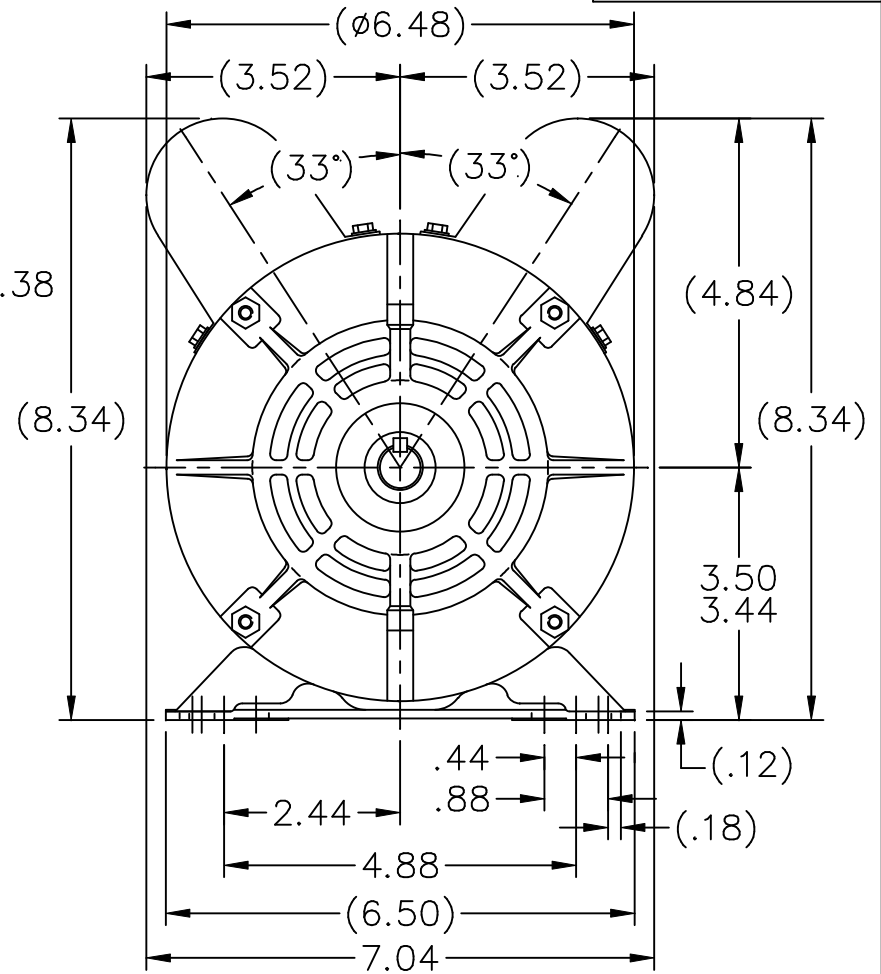
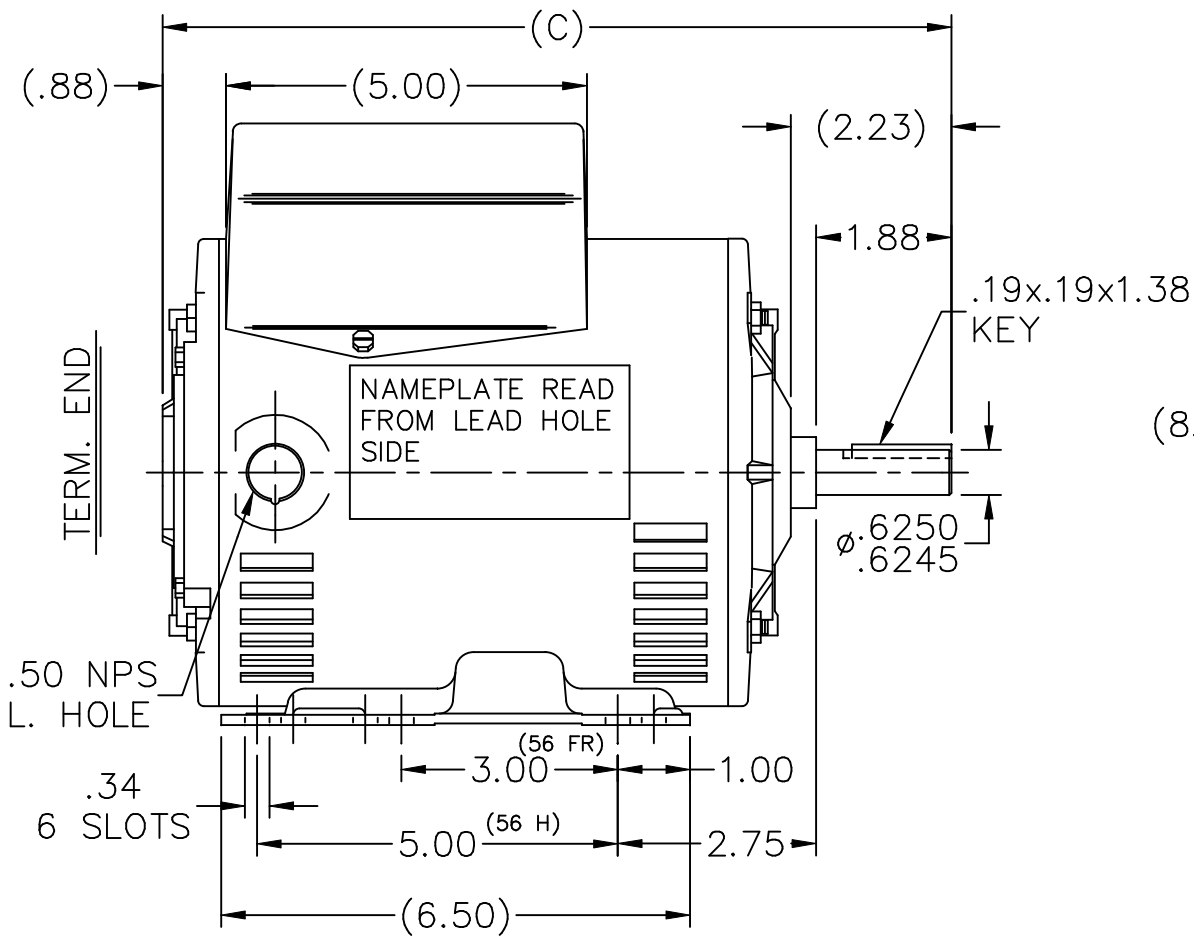
Nameplate Specifications

Output HP	1.50 Hp	Output KW	1.1 kW
Frequency	60 Hz	Voltage	115/208-230 V
Current	13.2/7.2-6.6 A	Speed	1725 rpm
Service Factor	1.15	Phase	1
Efficiency	80 %	Duty	Continuous
Insulation Class	B	Design Code	NO DESIGN CODE
KVA Code	J	Frame	56H
Enclosure	Drip Proof	Overload Protector	Manual
Ambient Temperature	40 °C	Drive End Bearing Size	6205
Opp Drive End Bearing Size	6205	UL	Recognized (Not Protector)
CSA	Y	CE	Y
IP Code	22		

Technical Specifications

Electrical Type	Capacitor Start Capacitor Run	Starting Method	Across The Line
Poles	4	Rotation	Selective Counterclockwise
Mounting	Rigid base	Motor Orientation	Horizontal
Drive End Bearing	Ball	Opp Drive End Bearing	Ball
Frame Material	Rolled Steel	Shaft Type	T
Overall Length	11.94 in	Frame Length	8.06 in
Shaft Diameter	0.625 in	Shaft Extension	2.23 in
Assembly/Box Mounting	F1 Only		
Outline Drawing	A-100146-806	Connection Diagram	102006-2

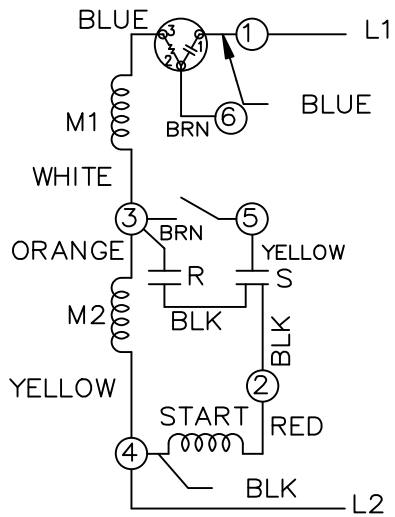
This is an uncontrolled document once printed or downloaded and is subject to change without notice. Date Created: 07/02/2018



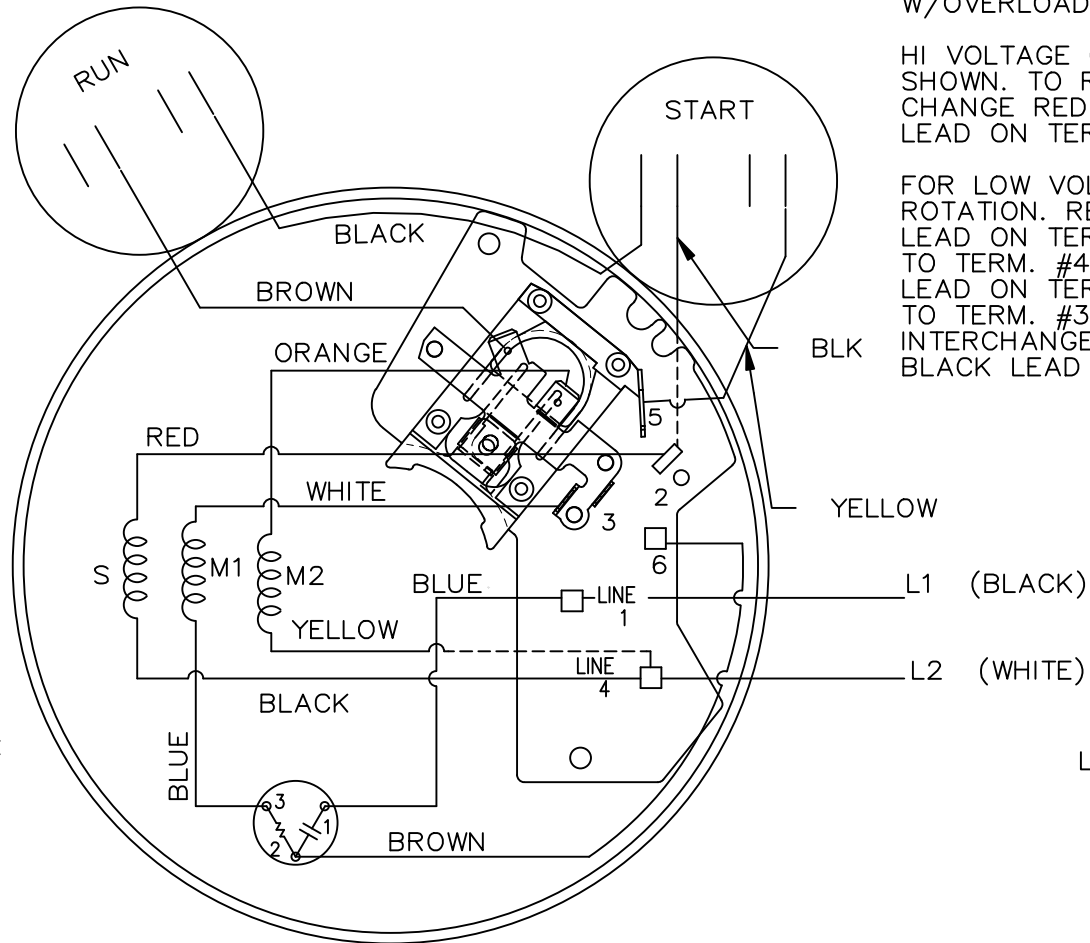
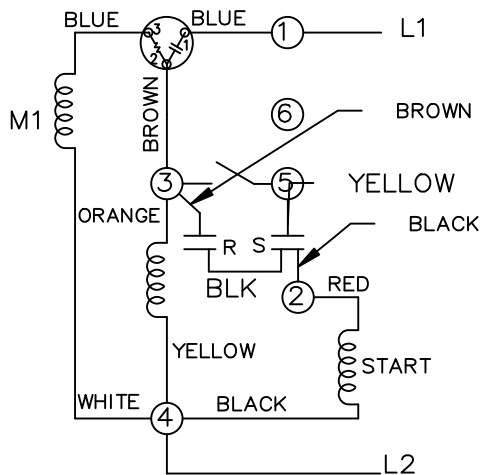
DASH	FR.	C	DASH	FR.	C
756	56-75	11.44	906	56-90	12.94
806	56-80	11.94			
856	56-85	12.44			

		TOLERANCES UNLESS SPECIFIED		MARATHON ELECTRIC		DRAWN BLR 03-30-1998		
		DEC.	INCHES			CHK	ML 03-31-1998	
		.X	±.1			APPD	GK 03-31-1998	
		.XX	±.03	TITLE OUTLINE		SCALE 3=8		
5	REDRAWN IN AUTOCAD	TAT 05-09-2005	ML .XXX	±.005	56 FR.		REF	
4	REDRAWN ON CADD	BLR 03-31-1998	.XXXX	±.0005	MAT'L.		FMF	
NO.	REVISION	BY & DATE	CHK	ANG	±7'30"	PREV		
THIS DRAWING IN DESIGN AND DETAIL IS OUR PROPERTY AND MUST NOT BE USED EXCEPT IN CONNECTION WITH OUR WORK ALL RIGHTS OF DESIGN AND INVENTION ARE RESERVED THIS IS AN ELECTRONICALLY GENERATED DOCUMENT - DO NOT SCALE THIS PRINT		RFP	CAD FILE 100146			SIZE	DRAWING NO. PAGE OF	REV.
		DIST WP				A	100146 5	

HIGH VOLTAGE C.C.W.



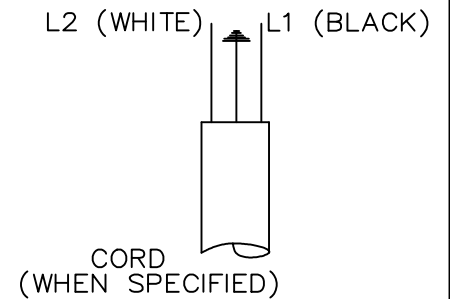
LOW VOLTAGE C.C.W.



DUAL VOLTAGE CAPACITOR
START, CAPACITOR RUN
W/OVERLOAD AND SELECT ROTATION

HI VOLTAGE C.C.W. ROTATION
SHOWN. TO REVERSE INTER-
CHANGE RED WITH BLACK
LEAD ON TERMS. 2 & 4.

FOR LOW VOLTAGE C.C.W.
ROTATION. REMOVE WHITE
LEAD ON TERM. #3 & ATTACH
TO TERM. #4. REMOVE BROWN
LEAD ON TERM. #6 ATTACH
TO TERM. #3. TO REVERSE
INTERCHANGE RED WITH
BLACK LEAD ON TERMS. 2 & 4.



		TOLERANCES UNLESS SPECIFIED		MARATHON ELECTRIC	DRAWN PGK 08-26-1996	
		DEC.	INCHES		CHK	ML
		.X	±.1	TITLE CONNECTION DIAGRAM	APPD GK 09-05-1996	
		.XX	±.02		SCALE 5=8	
7	UPDATED PER IS11-3490	PN	8/31/2011		VC	.XXX
6	REDRAWN ON CADD	PGK	09-05-1996		.XXXX	±.0005
NO.	REVISION	BY & DATE	CHK	ANG	±7'30"	FINISH
THIS DRAWING IN DESIGN AND DETAIL IS OUR PROPERTY AND MUST NOT BE USED EXCEPT IN CONNECTION WITH OUR WORK ALL RIGHTS OF DESIGN AND INVENTION ARE RESERVED THIS IS AN ELECTRONICALLY GENERATED DOCUMENT - DO NOT SCALE THIS PRINT				RFP	CAD FILE 102006_3	
				DIST	WP	
				SIZE	DRAWING NO. PAGE OF REV.	
				A	102006-2 7	

