

PRODUCT INFORMATION PACKET

marathon[®]
Motors

Model No: 056B17D5322
Catalog No: K232
2,1725,DP,56HC,1/60/115/208-230
Pressure Washers



Regal and Marathon are trademarks of Regal Beloit Corporation or one of its affiliated companies.
©2018 Regal Beloit Corporation, All Rights Reserved. MC017097E

REGAL[®]

Product Information Packet: Model No: 056B17D5322, Catalog No:K232 2,1725,DP,56HC,1/60/115/208-230

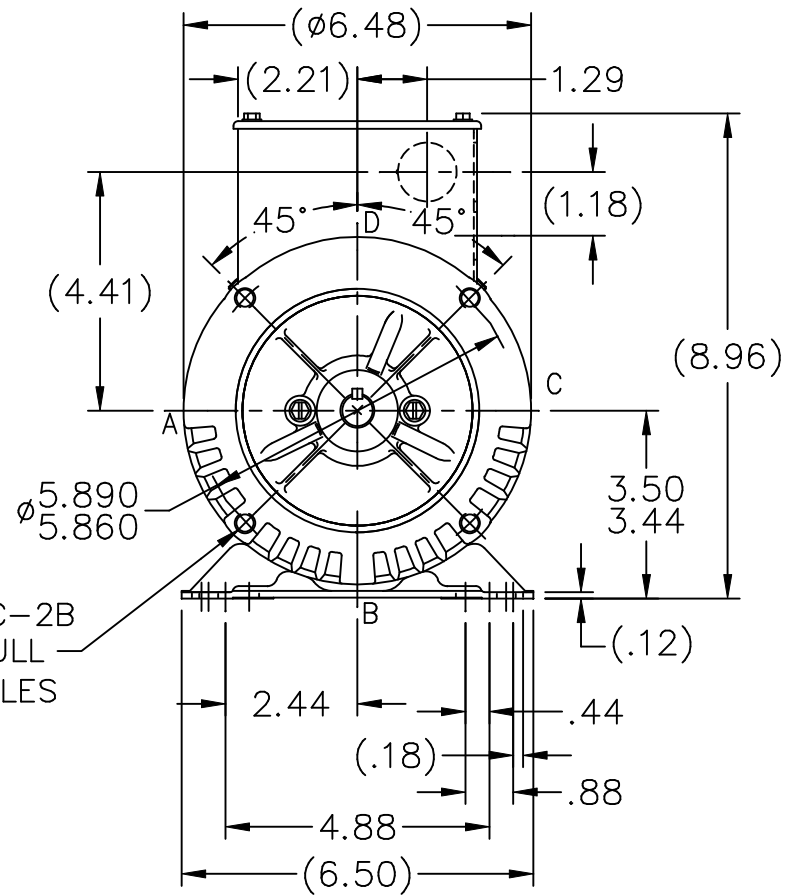
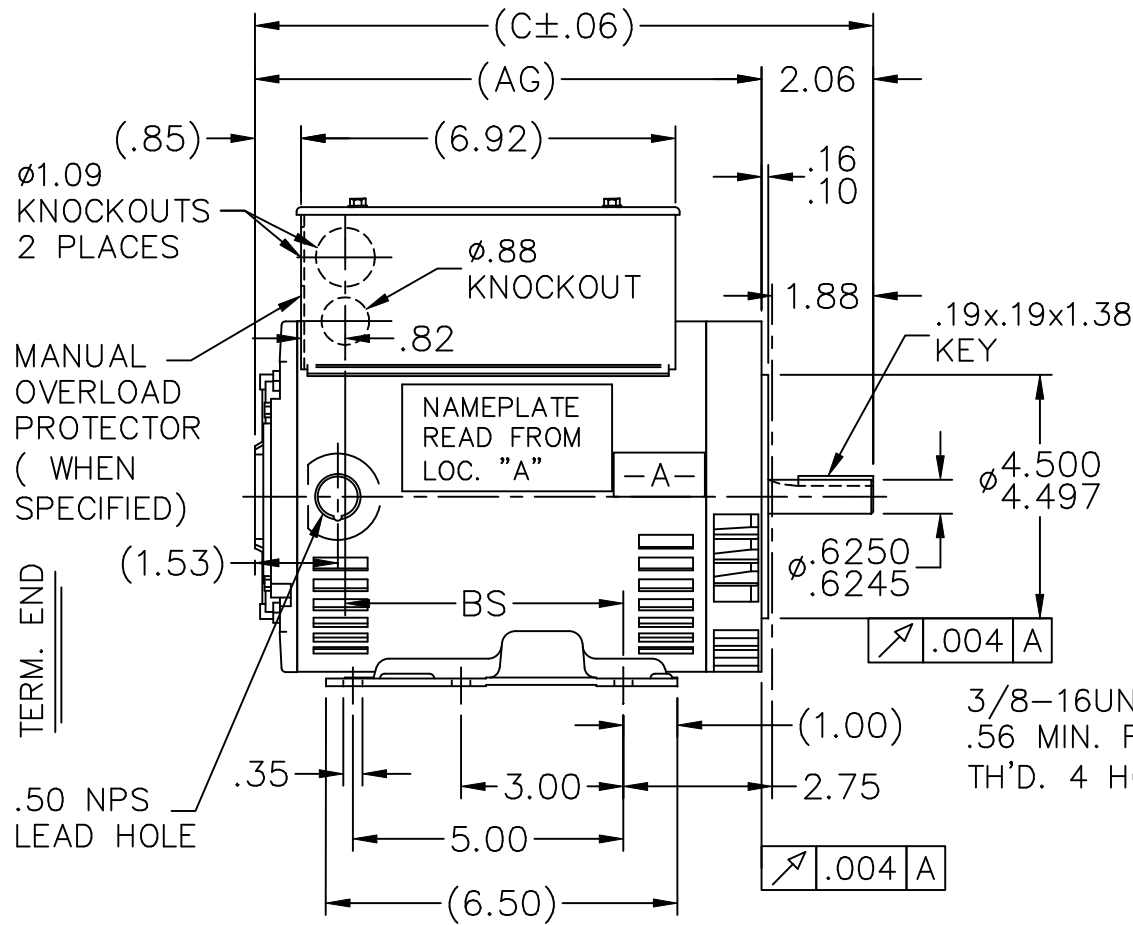
Nameplate Specifications

Output HP	2 Hp	Output KW	1.5 kW
Frequency	60 Hz	Voltage	115/208-230 V
Current	18.8/10.2-9.4 A	Speed	1725 rpm
Service Factor	1.15	Phase	1
Efficiency	81.5 %	Duty	Continuous
Insulation Class	B	Design Code	NO DESIGN CODE
KVA Code	J	Frame	56HC
Enclosure	Drip Proof	Overload Protector	Manual
Ambient Temperature	40 °C	Drive End Bearing Size	6205
Opp Drive End Bearing Size	6205	UL	Recognized (Not Protector)
CSA	Y	CE	N
IP Code	22		

Technical Specifications


Electrical Type	Capacitor Start Capacitor Run	Starting Method	Across The Line
Poles	4	Rotation	Selective Counterclockwise
Mounting	Rigid Base	Motor Orientation	Horizontal
Drive End Bearing	Ball	Opp Drive End Bearing	Ball
Frame Material	Rolled Steel	Shaft Type	T
Overall Length	13.43 in	Shaft Diameter	0.625 in
Shaft Extension	1.88 in	Assembly/Box Mounting	F1 Only
Outline Drawing	A-100214-956	Connection Diagram	102006-2

This is an uncontrolled document once printed or downloaded and is subject to change without notice. Date Created: 10/08/2018



DASH	FR.	C	AG	BS	DASH	FR.	C	AG	BS
756	56	11.43	9.37	5.14	956	56	13.43	11.37	7.14
806	56	11.93	9.87	5.64					

NO.	REVISION	BY & DATE	CHK	TOLERANCES UNLESS SPECIFIED	
				DEC.	INCHES
5	REDRAWN IN AUTOCAD	TAT 06-13-2005	ML	.XX	±.03
4	RE-ISSUE MANUAL OVERLOAD WAS MANUAL OVERRIDE	MH 04-28-1998		.XXX	±.005
3	REDRAWN ON CADD - NO CHANGES	MH 03-31-1998		.XXXX	±.0005
				ANG	±7'30"

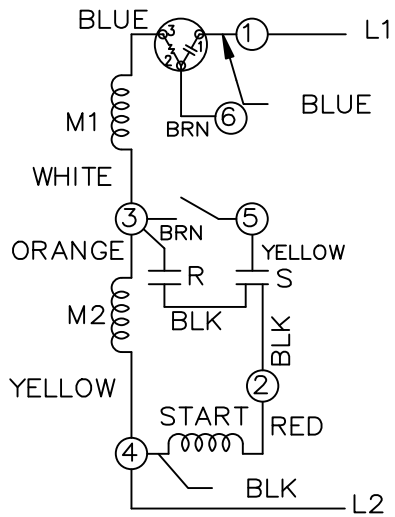


MARATHON ELECTRIC

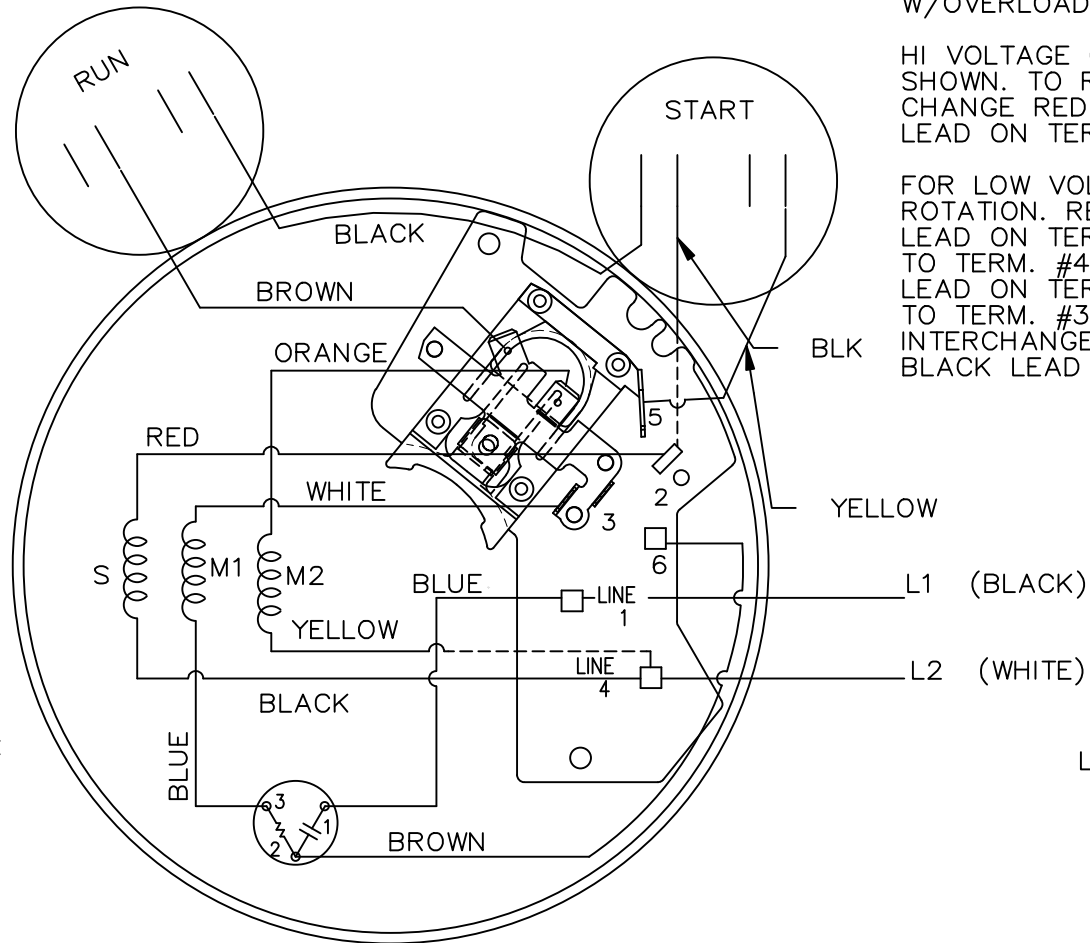
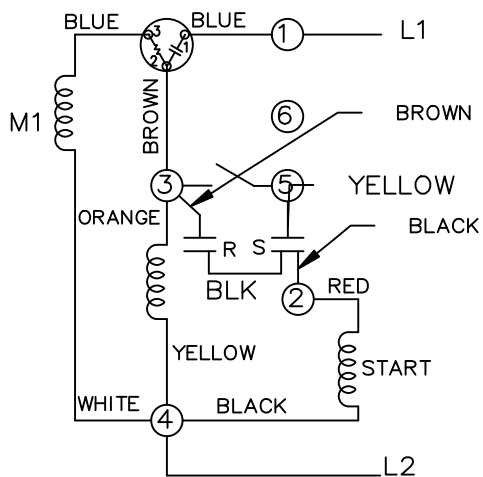
DRAWN MH 03-24-1998
 CHK ML 03-31-1998
 APPD GK 03-31-1998
 SCALE 9=32
 REF
 FMF
 PREV

TITLE OUTLINE 56 FR. - DR.PR. - 'C' FACE - 1Ø		SIZE	DRAWING NO.	PAGE	OF	REV.
MAT'L.		A	100214			5
FINISH		CAD FILE 100214				
RFP		DIST WP				

HIGH VOLTAGE C.C.W.



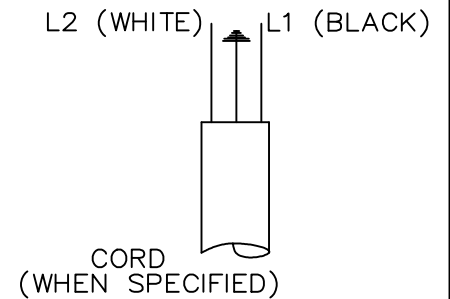
LOW VOLTAGE C.C.W.



DUAL VOLTAGE CAPACITOR
START, CAPACITOR RUN
W/OVERLOAD AND SELECT ROTATION

HI VOLTAGE C.C.W. ROTATION
SHOWN. TO REVERSE INTER-
CHANGE RED WITH BLACK
LEAD ON TERMS. 2 & 4.

FOR LOW VOLTAGE C.C.W.
ROTATION. REMOVE WHITE
LEAD ON TERM. #3 & ATTACH
TO TERM. #4. REMOVE BROWN
LEAD ON TERM. #6 ATTACH
TO TERM. #3. TO REVERSE
INTERCHANGE RED WITH
BLACK LEAD ON TERMS. 2 & 4.



		TOLERANCES UNLESS SPECIFIED		MARATHON ELECTRIC	DRAWN PGK 08-26-1996	
		DEC.	INCHES		CHK	ML
		.X	±.1	TITLE CONNECTION DIAGRAM	APPD GK 09-05-1996	
		.XX	±.02		SCALE 5=8	
7	UPDATED PER IS11-3490	PN	8/31/2011		VC	.XXX
6	REDRAWN ON CADD	PGK	09-05-1996		.XXXX	±.0005
NO.	REVISION	BY & DATE	CHK	ANG	±7'30"	
THIS DRAWING IN DESIGN AND DETAIL IS OUR PROPERTY AND MUST NOT BE USED EXCEPT IN CONNECTION WITH OUR WORK ALL RIGHTS OF DESIGN AND INVENTION ARE RESERVED THIS IS AN ELECTRONICALLY GENERATED DOCUMENT - DO NOT SCALE THIS PRINT				RFP	CAD FILE 102006_3	
				DIST	WP	
				SIZE	DRAWING NO. PAGE OF REV.	
				A	102006-2 7	

CERTIFICATION DATA SHEET

Model#: 56B17D5322 E WINDING#: ZB411 NONE 3
 CONN. DIAGRAM: 102006-2 ASSEMBLY: F1 ONLY
 OUTLINE: A-100214-956

TYPICAL MOTOR PERFORMANCE DATA

HP	KW	SYNC. RPM	F.L. RPM	FRAME	ENCLOSURE	KVA CODE	DESIGN
2	1.49	1800	1725	56HC	DP	J	NO DESIGN CODE

PH	Hz	VOLTS	FL AMPS	START TYPE	DUTY	INSL	S.F	AMB°C	ELEVATION
1	60	115/208-230	18.8/10.2-9.4	ACROSS THE LINE	CONTINUOUS	B3	1.15	40	3300

FULL LOAD EFF: -	3/4 LOAD EFF: 79.2	1/2 LOAD EFF: 74.3	GTD. EFF	ELEC. TYPE	NO LOAD AMPS
FULL LOAD PF: -	3/4 LOAD PF: 82	1/2 LOAD PF: 73.7	0	CAP START CAP RUN	7.8 / 3.9

F.L. TORQUE	LOCKED ROTOR AMPS	L.R. TORQUE	B.D. TORQUE	F.L. RISE°C
6.02 LB-FT	127 / 63.5	15.9 LB-FT 264	14.9 LB-FT 248	80

SOUND PRESSURE @ 3 FT.	SOUND POWER	ROTOR WK^2	MAX. WK^2	SAFE STALL TIME	STARTS /HOUR	APPROX. MOTOR WGT
- dBA	- dBA	0 LB-FT^2	- LB-FT^2	10 SEC.	-	0 LBS.

*** SUPPLEMENTAL INFORMATION ***

DE BRACKET TYPE	ODE BRACKET TYPE	MOUNT TYPE	ORIENTATION	SEVERE DUTY	HAZARDOUS LOCATION	DRIP COVER	SCREENS	PAINT
C-FACE	STANDARD	RIGID	HORIZONTAL	FALSE	NONE	FALSE	NONE	GRAY (POWDER)

BEARINGS		GREASE	SHAFT TYPE	SPECIAL DE	SPECIAL ODE	SHAFT MATERIAL	FRAME MATERIAL
DE	OPE	MULTEMP SRL	T	NONE	NONE	1144 STRESSPROOF (C-223)	ROLLED STEEL
BALL	BALL						
6205	6205						

THERMO-PROTECTORS				THERMISTORS	CONTROL	SPACE /n HEATERS
THERMOSTATS	PROTECTORS	WDG RTDs	BRG RTDs			
NONE	MANUAL	NONE	NONE	NONE	FALSE	NONE VOLTS

If Inverter equals NONE, contact factory for further information

INVERTER TORQUE: NONE
INV. HP SPEED RANGE: NONE
ENCODER: NONE
NONE NONE
NONE NONE PPR
BRAKE: NONE NONE
NONE P/N NONE
NONE NONE
NONE FT-LB NONE V NONE Hz

*
N
O
T
E
S
*

DATE: 06/27/2017 05:38:51 AM
 FORM 3531 REV.3 02/07/99
 ** Subject to change without notice.