

# PRODUCT INFORMATION PACKET

**marathon**<sup>®</sup>  
Motors

Model No: 056B17D2011

Catalog No: G250

0.75 HP General Purpose Motor, 1 phase, 1800 RPM, 115/208-230 V, 56C Frame, ODP  
Single Phase ODP Motors



Regal and Marathon are trademarks of Regal Beloit Corporation or one of its affiliated companies.

©2019 Regal Beloit Corporation, All Rights Reserved. MC017097E

**REGAL**



**Nameplate Specifications**

Output HP	<b>0.75 Hp</b>	Output KW	<b>0.56 kW</b>
Frequency	<b>60 Hz</b>	Voltage	<b>115/208-230 V</b>
Current	<b>11/5.5-5.5 A</b>	Speed	<b>1725 rpm</b>
Service Factor	<b>1.25</b>	Phase	<b>1</b>
Efficiency	<b>72 %</b>	Power Factor	<b>61.5</b>
Duty	<b>CONTINUOUS</b>	Insulation Class	<b>B</b>
Design Code	<b>No Design Code</b>	KVA Code	<b>K</b>
Frame	<b>56C</b>	Enclosure	<b>DP</b>
Thermal Protection	<b>NOT</b>	Ambient Temperature	<b>40 °C</b>
Drive End Bearing Size	<b>6203</b>	Opp Drive End Bearing Size	<b>6203</b>
UL	<b>Recognized</b>	CSA	<b>Y</b>
CE	<b>N</b>	IP Code	<b>22</b>

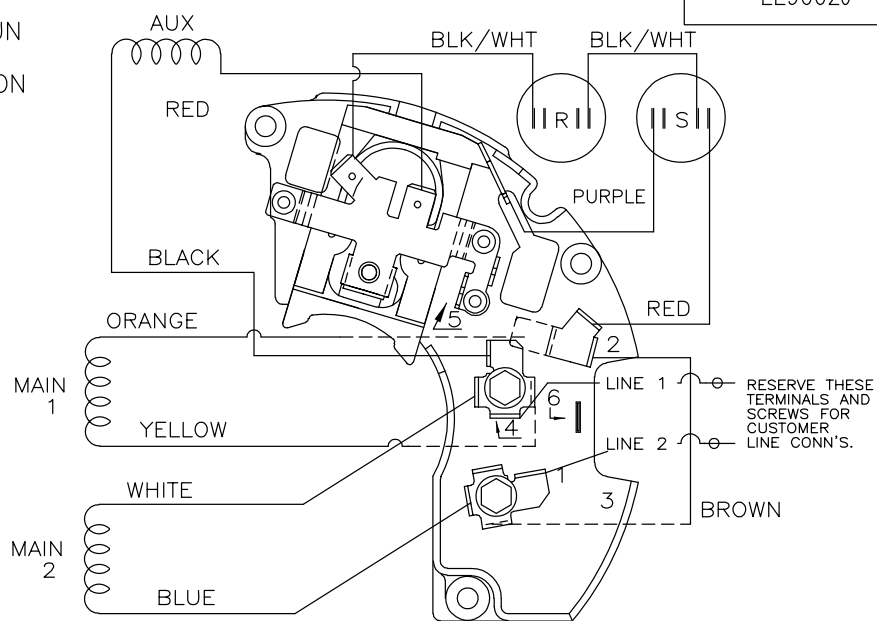
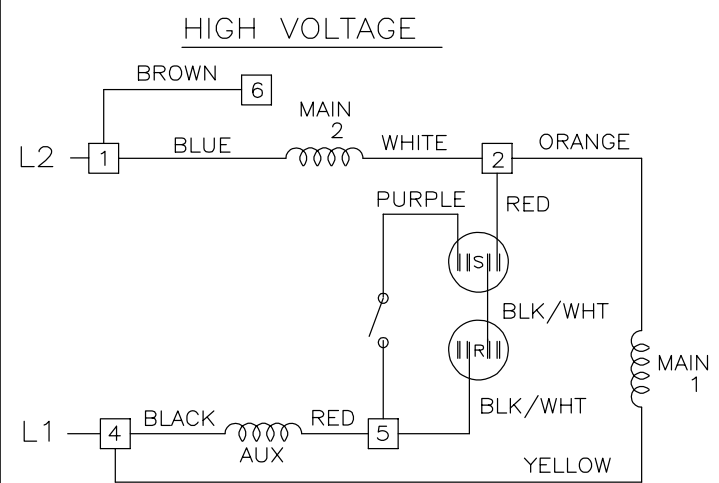
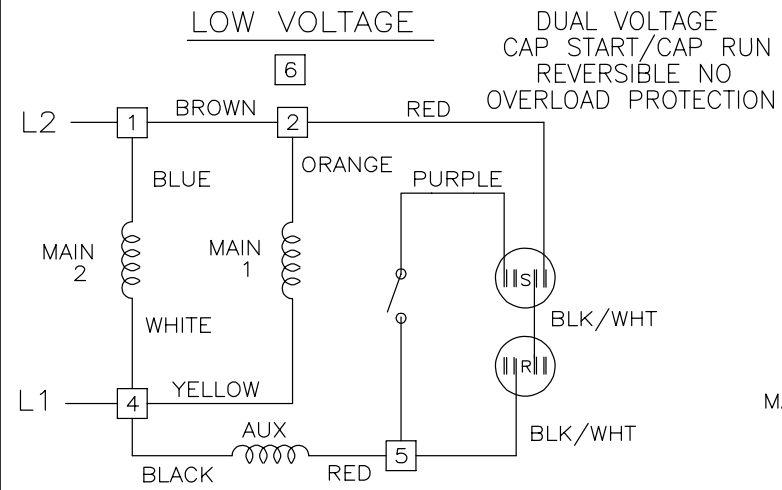
**Technical Specifications**

Electrical Type	<b>CAP START CAP RUN</b>	Starting Method	<b>ACROSS THE LINE</b>
Poles	<b>4</b>	Rotation	<b>SELECTIVE CCW</b>
Resistance Main	<b>0 Ohms</b>	Mounting	<b>ROUND</b>
Motor Orientation	<b>HORIZONTAL</b>	Drive End Bearing	<b>BALL</b>
Opp Drive End Bearing	<b>BALL</b>	Frame Material	<b>ROLLED STEEL</b>
Shaft Type	<b>STANDARD 56</b>	Overall Length	<b>11.72 in</b>
Frame Length	<b>7.75 in</b>	Shaft Diameter	<b>0.63 in</b>
Shaft Extension	<b>2.09 in</b>	Assembly/Box Mounting	<b>F1 Only</b>

This is an uncontrolled document once printed or downloaded and is subject to change without notice. Date Created:01/11/2019



EE9002J



VIEWING TERM END

LOW VOLTAGE CCW ROTATION SHOWN.

FOR HIGH VOLTAGE  
CONNECT BROWN TERM 2 TO TERM 6.  
CONNECT WHITE TERM 4 TO TERM 2.

TO REVERSE ROTATION EITHER  
VOLTAGE INTERCHANGE RED  
LEAD WITH BLACK LEAD.

DASH LINES INDICATE LEADS CONNECTED  
TO MOTOR SIDE OF SWITCH.

		TOLERANCES UNLESS SPECIFIED			DRAWN SVL 6/17/2013
		DEC.	INCHES		CHK
		.X	± -		APPD
		.XX	± -		SCALE NTS
				TITLE CONNECTION DIAGRAM	REF EE9002J
				48 FR. - DUAL VOLTAGE REVERSIBLE	FMF PR132489
2	TEMPLATE LOGO CHNAGED FROM MARATHON TO DAYTON	KR 05/16/2014	VS .XXXX ± -	MAT'L.	PREV
NO.	REVISION	BY & DATE	CHK ANG ± -	FINISH	
THIS DRAWING IN DESIGN AND DETAIL IS OUR PROPERTY AND MUST NOT BE USED EXCEPT IN CONNECTION WITH OUR WORK ALL RIGHTS OF DESIGN AND INVENTION ARE RESERVED THIS IS AN ELECTRONICALLY GENERATED DOCUMENT - DO NOT SCALE THIS PRINT				RFP	CAD FILE ee9002j
				DIST	SIZE A
				DRAWING NO. EE9002J	PAGE 1 OF 2
					REV. 02

