

PRODUCT INFORMATION PACKET

marathon[®]
Motors

Model No: 056A11O5313
Catalog No: X218
3/4,1075,OPEN,56Z,1/60/108-230
Other Purpose



Regal and Marathon are trademarks of Regal Beloit Corporation or one of its affiliated companies.

©2018 Regal Beloit Corporation, All Rights Reserved. MC017097E

REGAL[®]



Nameplate Specifications

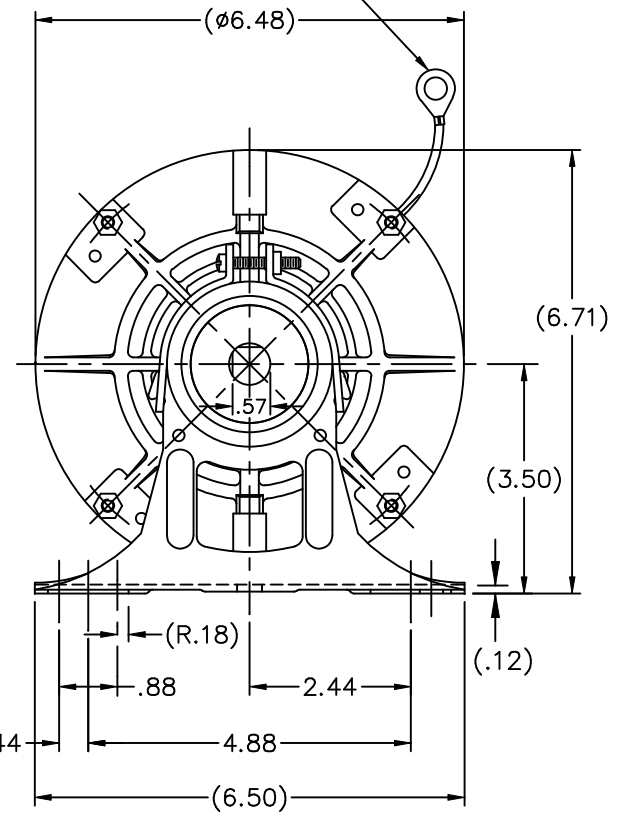
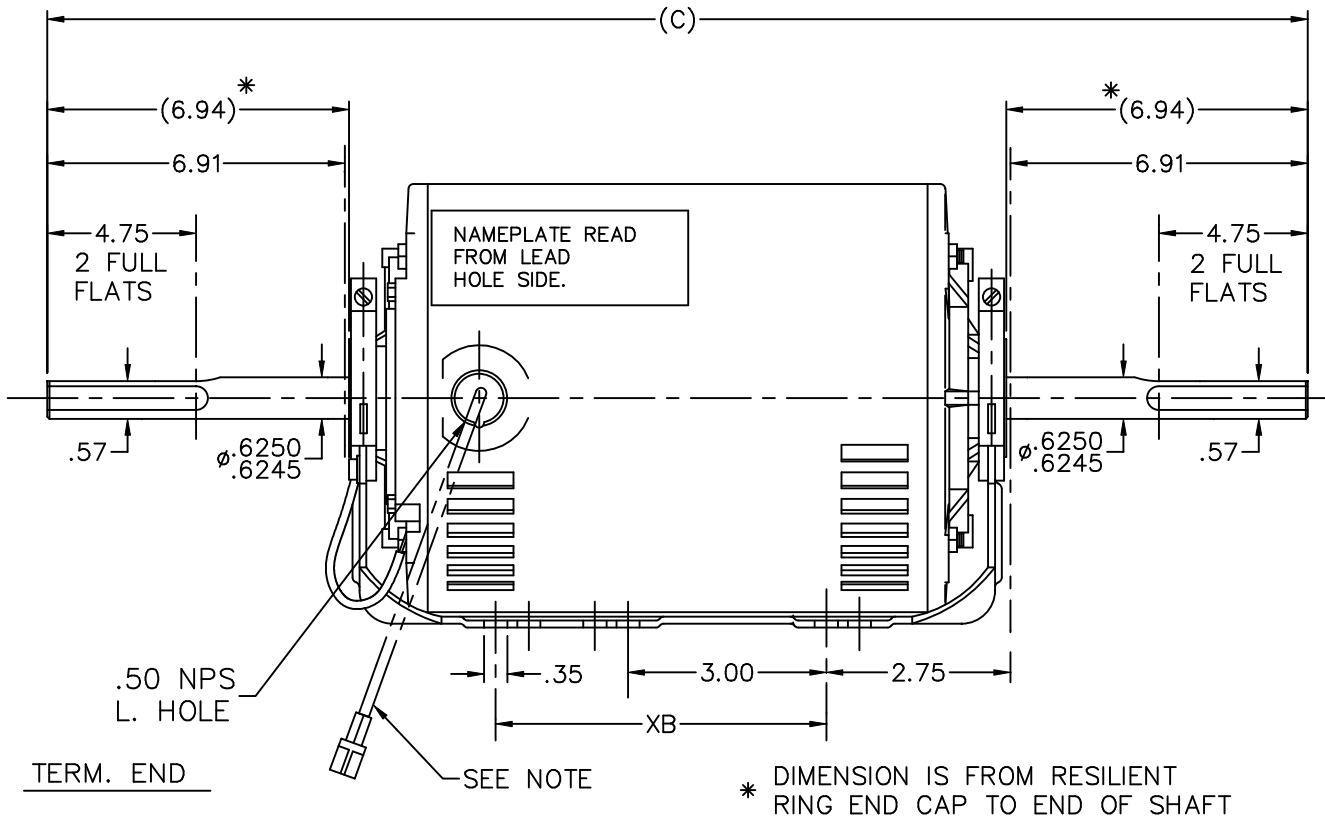
Output HP	0.75 Hp	Output KW	0.56 kW
Frequency	60 Hz	Voltage	208-230 V
Current	3.9-3.6 A	Speed	1075 rpm
Service Factor	1	Phase	1
Efficiency	75.5 %	Duty	Continuous
Insulation Class	B	Design Code	NO DESIGN CODE
KVA Code	C	Frame	56Z
Enclosure	Open Air Over	Overload Protector	Automatic
Ambient Temperature	60 °C	Drive End Bearing Size	6203
Opp Drive End Bearing Size	6203	UL	Recognized (Not Protector)
CSA	Y	CE	N
IP Code	10		

Technical Specifications

Electrical Type	Permanent Split Capacitor	Starting Method	Across The Line
Poles	6	Rotation	Fixed Counterclockwise
Mounting	Resilient Base	Motor Orientation	Horizontal
Drive End Bearing	Ball	Opp Drive End Bearing	Ball
Frame Material	Rolled Steel	Shaft Type	Special Extension Both Sides
Overall Length	23.82 in	Shaft Diameter	0.625 in
Shaft Extension	6.91/6.91 in	Assembly/Box Mounting	F1 Only
Outline Drawing	A-100582-756	Connection Diagram	102009-10

This is an uncontrolled document once printed or downloaded and is subject to change without notice. Date Created: 06/29/2018

GREEN GROUND LEAD 12.00"
W/TERM FOR #10 SCREW.
TERM. END



* DIMENSION IS FROM RESILIENT RING END CAP TO END OF SHAFT

NOTE:

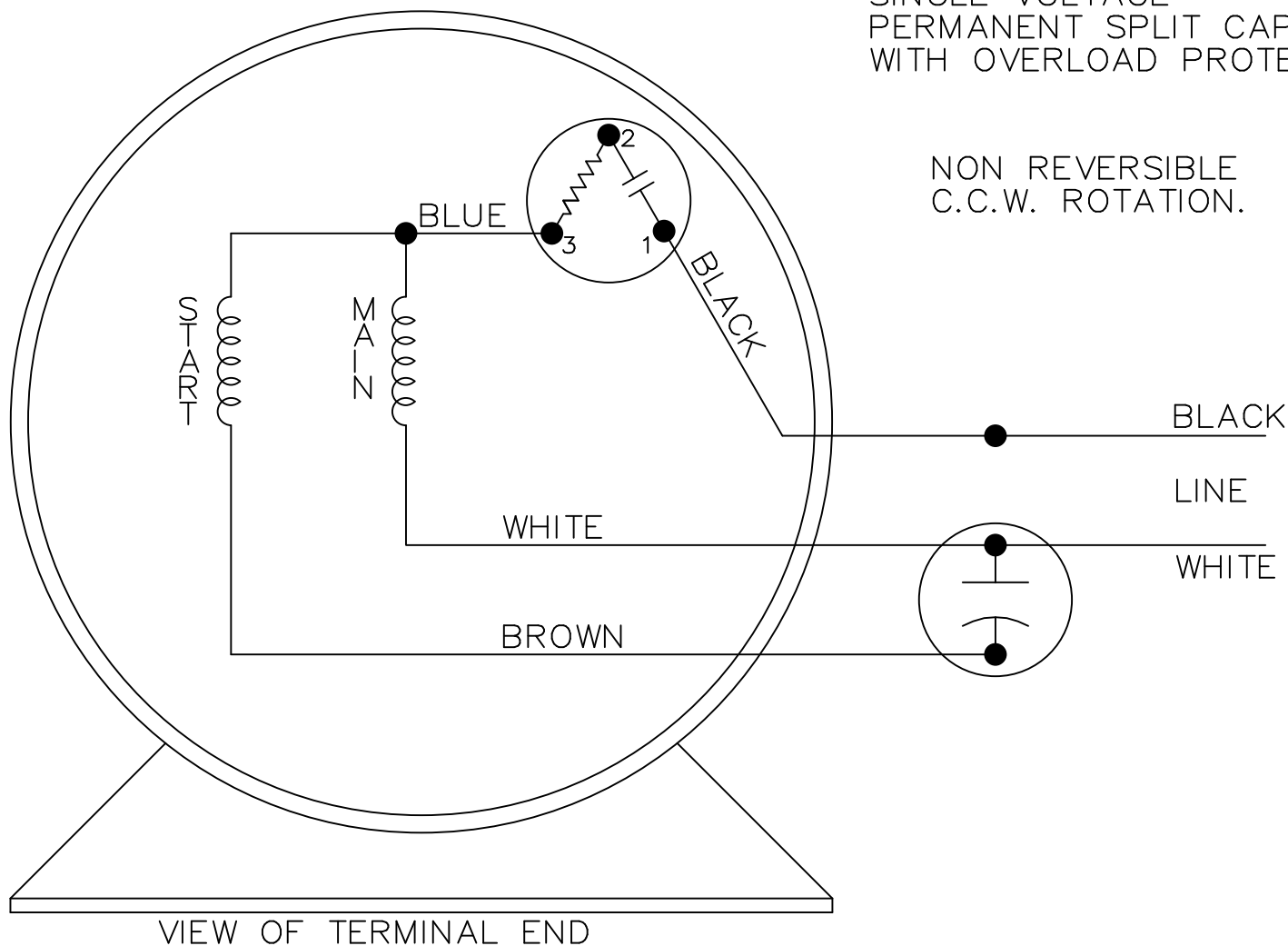
1. 3 LEADS 25" WITH .25 QUICK CONNECT COLORS = BROWN, BLACK, WHITE
2. MOTOR MUST BE ROTATED TO .75" STRIP SOCKET CLEARANCE FOR GROUND SCREW, MAXIMUM (10 DEGREES).


DASH	FRAME	C	XB
756	56-75	23.82	5.00
806	56-80	24.32	5.00

				TOLERANCES UNLESS SPECIFIED			DRAWN RM 03-02-1992				
				DEC.	INCHES		CHK ML 03-03-1992				
				.X	±.1		APPD GK 03-03-1992				
3	REDRAWN IN AUTOCAD	TAT 10-15-2004	ML	.XX	±.03	TITLE OUTLINE 56 FR. - BB - DR.PR. - RESIL. BASE	SCALE 11=32				
2	ADDED NOTE CN 24378	PGK 06-10-1997		.XXX	±.005		REF				
1	NEW DRAWING 3868946	RM 03-02-1992		.XXXX	±.0005	MAT'L.	FMF				
NO.	REVISION	BY & DATE	CHK	ANG	±7'30"		FINISH	PREV			
THIS DRAWING IN DESIGN AND DETAIL IS OUR PROPERTY AND MUST NOT BE USED EXCEPT IN CONNECTION WITH OUR WORK ALL RIGHTS OF DESIGN AND INVENTION ARE RESERVED THIS IS AN ELECTRONICALLY GENERATED DOCUMENT - DO NOT SCALE THIS PRINT				RFP	CAD FILE 100582		SIZE	DRAWING NO.	PAGE	OF	REV.
				DIST	WP	A	100582			3	

SINGLE VOLTAGE
PERMANENT SPLIT CAPACITOR
WITH OVERLOAD PROTECTOR.

NON REVERSIBLE
C.C.W. ROTATION.



				TOLERANCES UNLESS SPECIFIED			DRAWN SMC 03-02-1992				
				DEC.	INCHES		CHK ML 03-12-1992				
				.X	±.1		APPD MJ 03-04-1992				
				.XX	±.03		SCALE 1=1				
				.XXX	±.005		REF				
1	NEW DRAWING	3868948	SMC 03-02-1992	.XXXX	±.0005	MAT'L.	FMF				
NO.	REVISION	BY & DATE	CHK	ANG	±7'30"	FINISH	PREV				
THIS DRAWING IN DESIGN AND DETAIL IS OUR PROPERTY AND MUST NOT BE USED EXCEPT IN CONNECTION WITH OUR WORK ALL RIGHTS OF DESIGN AND INVENTION ARE RESERVED THIS IS AN ELECTRONICALLY GENERATED DOCUMENT - DO NOT SCALE THIS PRINT				RFP		CAD FILE 102009-10	SIZE	DRAWING NO.	PAGE	OF	REV.
				DIST	WP		A	102009-10			1

CERTIFICATION DATA SHEET

Model#: 56A1105313 D **WINDING#:** ZP660 NONE 7
CONN. DIAGRAM: 102009-10 **ASSEMBLY:** F1 ONLY
OUTLINE: A-100582-756

TYPICAL MOTOR PERFORMANCE DATA

HP	KW	SYNC. RPM	F.L. RPM	FRAME	ENCLOSURE	KVA CODE	DESIGN
3/4	.56	1200	1075	56Z	OPAO	C	NO DESIGN CODE

PH	Hz	VOLTS	FL AMPS	START TYPE	DUTY	INSL	S.F	AMB°C	ELEVATION
1	60	208-230	3.9-3.6	ACROSS THE LINE	CONTINUOUS	B3	1.0	60	3300

FULL LOAD EFF: 75.5	3/4 LOAD EFF: 71.5	1/2 LOAD EFF: 62.4	GTD. EFF	ELEC. TYPE	NO LOAD AMPS
			0	PSC 1 SPEED	1.6

F.L. TORQUE	LOCKED ROTOR AMPS	L.R. TORQUE	B.D. TORQUE	F.L. RISE°C
54.1 LB-FT	13.7	24.6 LB-FT 0	102 LB-FT 0	0

SOUND PRESSURE @ 3 FT.	SOUND POWER	ROTOR WK^2	MAX. WK^2	SAFE STALL TIME	STARTS /HOUR	APPROX. MOTOR WGT
- dBA	- dBA	0 LB-FT^2	- LB-FT^2	- SEC.	-	0 LBS.

***** SUPPLEMENTAL INFORMATION *****

DE BRACKET TYPE	ODE BRACKET TYPE	MOUNT TYPE	ORIENTATION	SEVERE DUTY	HAZARDOUS LOCATION	DRIP COVER	SCREENS	PAINT
STANDARD	STANDARD	RESILIENT BASE	HORIZONTAL	FALSE	NONE	FALSE	NONE	GRAY (POWDER)

BEARINGS		GREASE	SHAFT TYPE	SPECIAL DE	SPECIAL ODE	SHAFT MATERIAL	FRAME MATERIAL
DE	OPE	POLYREX EM	DBL SPL EXT	0.625 x 6.91 IN	0.625 x 6.91 IN	1144 STRESSPROOF (C-223)	ROLLED STEEL
BALL	BALL			SEF WITH 4.75 IN DOUBLE FULL FLAT	SEF WITH 4.75 IN DOUBLE FULL FLAT		
6203	6203						

THERMO-PROTECTORS				THERMISTORS	CONTROL	SPACE /n HEATERS
THERMOSTATS	PROTECTORS	WDG RTDs	BRG RTDs	NONE	FALSE	NONE VOLTS
NONE	AUTOMATIC	NONE	NONE			

If Inverter equals NONE, contact factory for further information

*
N
O
T
E
S
*

INVERTER TORQUE: NONE
INV. HP SPEED RANGE: NONE
ENCODER: NONE
NONE NONE
NONE NONE PPR
BRAKE: NONE NONE
NONE P/N NONE
NONE NONE
NONE FT-LB NONE V NONE Hz

DATE: 06/27/2017 04:27:34 AM
 FORM 3531 REV.3 02/07/99
 ** Subject to change without notice.

