

PRODUCT INFORMATION PACKET

marathon[®]
Motors

Model No: 056A11O5310
Catalog No: X206
1,1075,OPEN,56Z,1/60/208-230/460
Condenser Fans



Regal and Marathon are trademarks of Regal Beloit Corporation or one of its affiliated companies.
©2018 Regal Beloit Corporation, All Rights Reserved. MC017097E

REGAL[®]



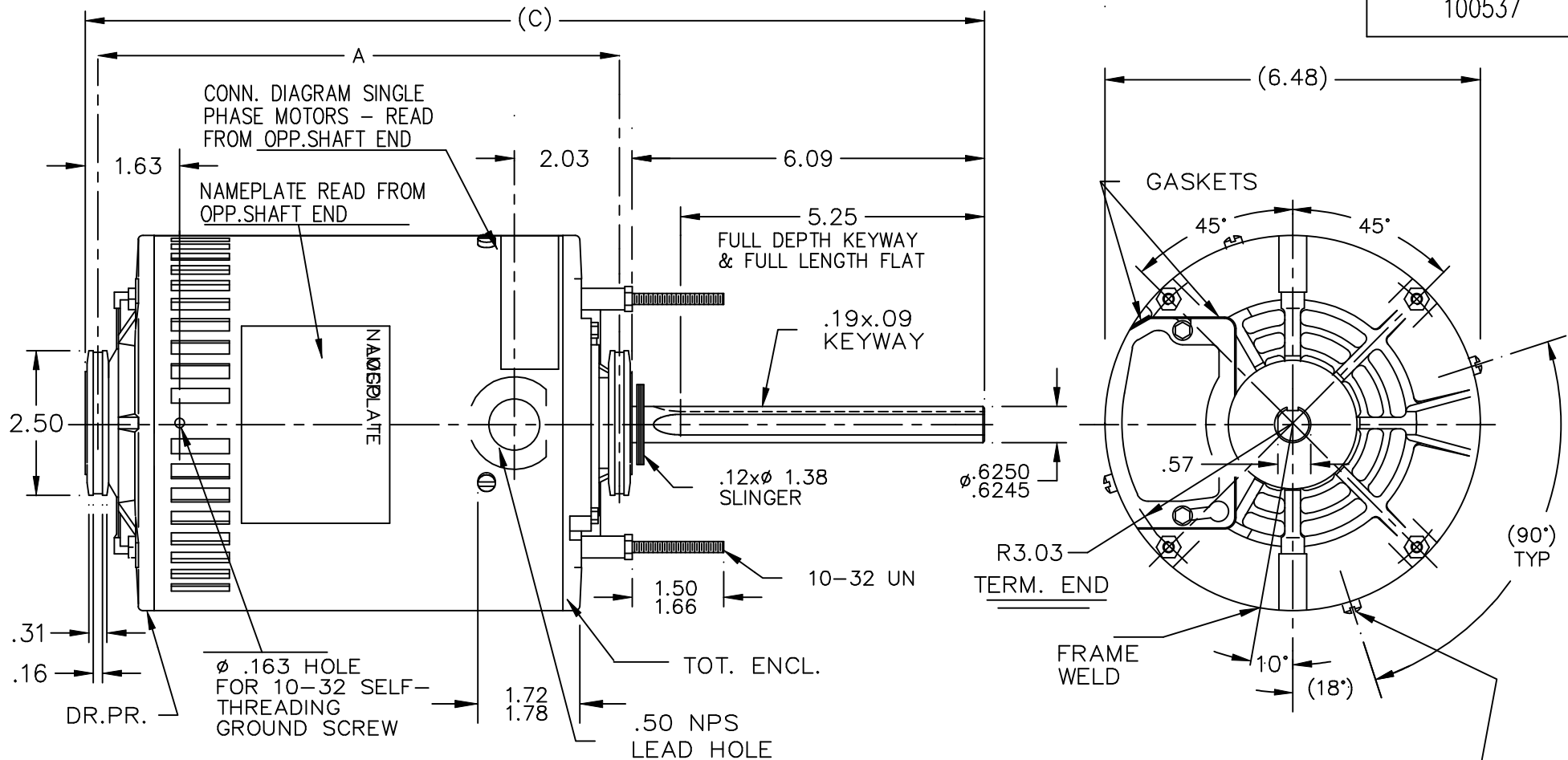
Nameplate Specifications

Output HP	1 Hp	Output KW	0.75 kW
Frequency	60 Hz	Voltage	208-230/460 V
Current	5.4-5.2/2.6 A	Speed	1075 rpm
Service Factor	1	Phase	1
Efficiency	70 %	Duty	Continuous
Insulation Class	B	Design Code	NO DESIGN CODE
KVA Code	E	Frame	56Z
Enclosure	Open Air Over	Overload Protector	Automatic
Ambient Temperature	60 °C	Drive End Bearing Size	6203
Opp Drive End Bearing Size	6203	UL	Recognized (Not Protector)
CSA	Y	CE	N
IP Code	01		

Technical Specifications

Electrical Type	Permanent Split Capacitor	Starting Method	Across The Line
Poles	6	Rotation	Selective Counterclockwise
Mounting	Resilient Ring - Extended Studs	Motor Orientation	Horizontal
Drive End Bearing	Ball	Opp Drive End Bearing	Ball
Frame Material	Rolled Steel	Shaft Type	Single Special Extension
Overall Length	10.06 in	Shaft Diameter	0.625 in
Shaft Extension	6.09 in	Assembly/Box Mounting	F1 Only
Outline Drawing	A-100537-806	Connection Diagram	A-102009-7

This is an uncontrolled document once printed or downloaded and is subject to change without notice. Date Created: 06/29/2018



DASH	FR.	A	C	DASH	FR.	A
756	56-75	9.56	16.03			
806	"-80	10.06	16.53			

				TOLERANCES UNLESS SPECIFIED	
				DEC.	INCHES
3	ADDED STOP SCREWS	CN 35348	HLB 08-22-2002	.XX	±.03
2	CLERIFIED CONN. DIAGRAM LOCATION		LZ 03-21-1994	.XXX	±.005
1	NEW DRAWING	3850078	SMC 11-05-1991	.XXXX	±.0005
NO.	REVISION	BY & DATE	CHK	ANG	±7'30"
			RFP		
			DIST	WP	

MARATHON ELECTRIC

TITLE OUTLINE
56 FR.

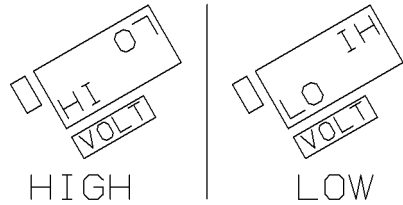
MAT'L.

FINISH

CAD FILE 100537

DRAWN	SMC	11-05-1991
CHK	ML	11-06-1991
APPD	GK	11-06-1991
SCALE	3=8	
REF		
FMF		
PREV		
SIZE	DRAWING NO.	PAGE OF
A	100537	3

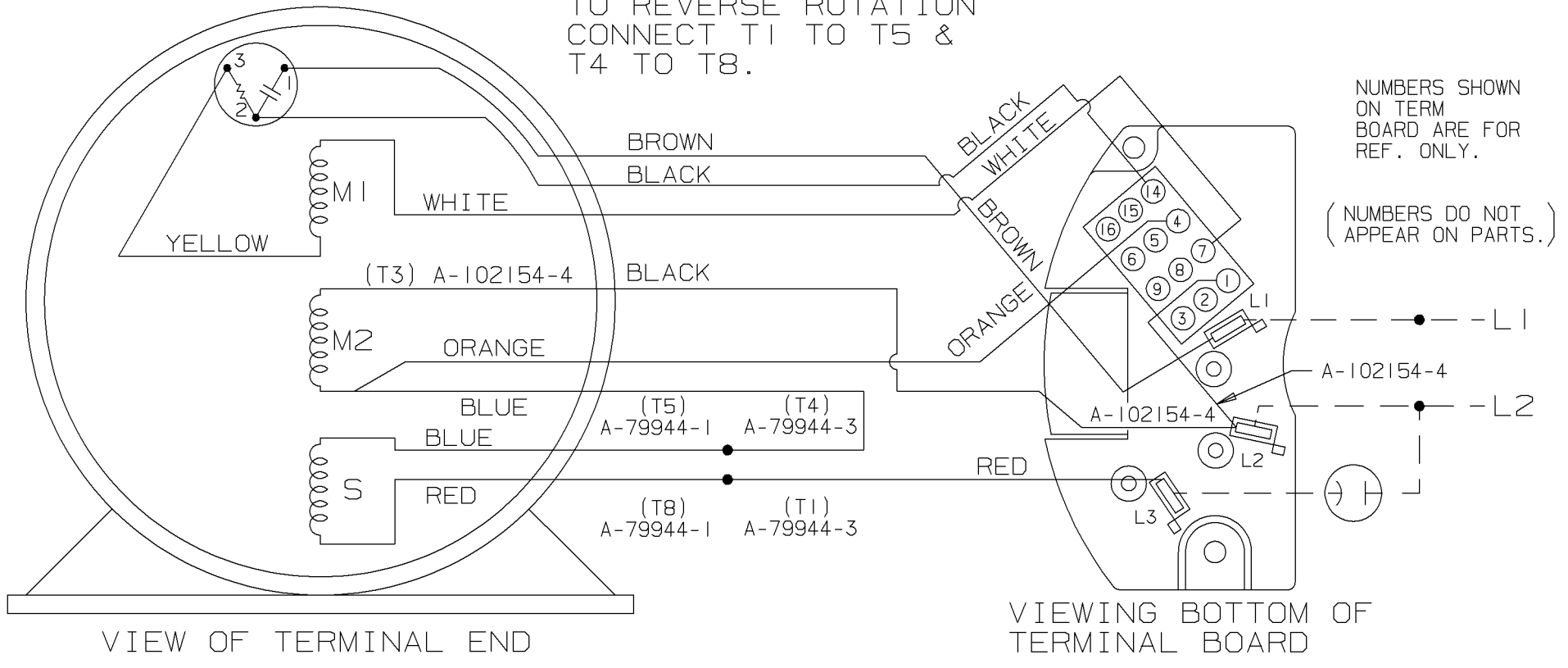
TO CHANGE VOLTAGE, PULL PLUG, ROTATE 180° AND REINSERT.



SINGLE PHASE-DUAL VOLTAGE WITH THERMAL PROTECTOR

CCW ROT. OPP. SHAFT END

TO REVERSE ROTATION CONNECT T1 TO T5 & T4 TO T8.



				125 $\sqrt{\text{V}}$ SURFACE ROUGHNESS UNLESS NOTED OTHERWISE	UNLESS OTHERWISE SPECIFIED DIMENSIONS ARE IN INCHES TOL ON XX± XXX±.005 XXXX±.0005 ANGLES±			
2	8-17-93	ADDED THE WORD "BLACK" TO T3 LEAD	KL	MATL SPEC		DRAWN BY	SMC	11-05-91
1	11-05-91	NEW DRAWING	SMC	FINISH		CHKD BY	ML	11-06-91
					WAUSAU, WISCONSIN 54401	APPD BY	TH	11-08-91
REV	DATE	CHANGE	NAME	PART NAME CONNECTION DIAGRAM			DRWG NO A- 102009-7	
		PURCHASED		DISTRIBUTION - WA - LB - WP - LM			CADD FILE NO.	102009-7

```
ERROR: syntaxerror
OFFENDING COMMAND: --nostringval--
STACK:
  /im
  -savelevel -
```


Uncontrolled Copy

FORM 3531 REV.3 02/07/99
** Subject to change without notice.