

PRODUCT INFORMATION PACKET

marathon[®]
Motors

Model No: 056A11O30
Catalog No: X433
1,1075,OPEN,56Y,1/60/208-230/460
Condenser Fans



Regal and Marathon are trademarks of Regal Beloit Corporation or one of its affiliated companies.
©2018 Regal Beloit Corporation, All Rights Reserved. MC017097E

REGAL[®]



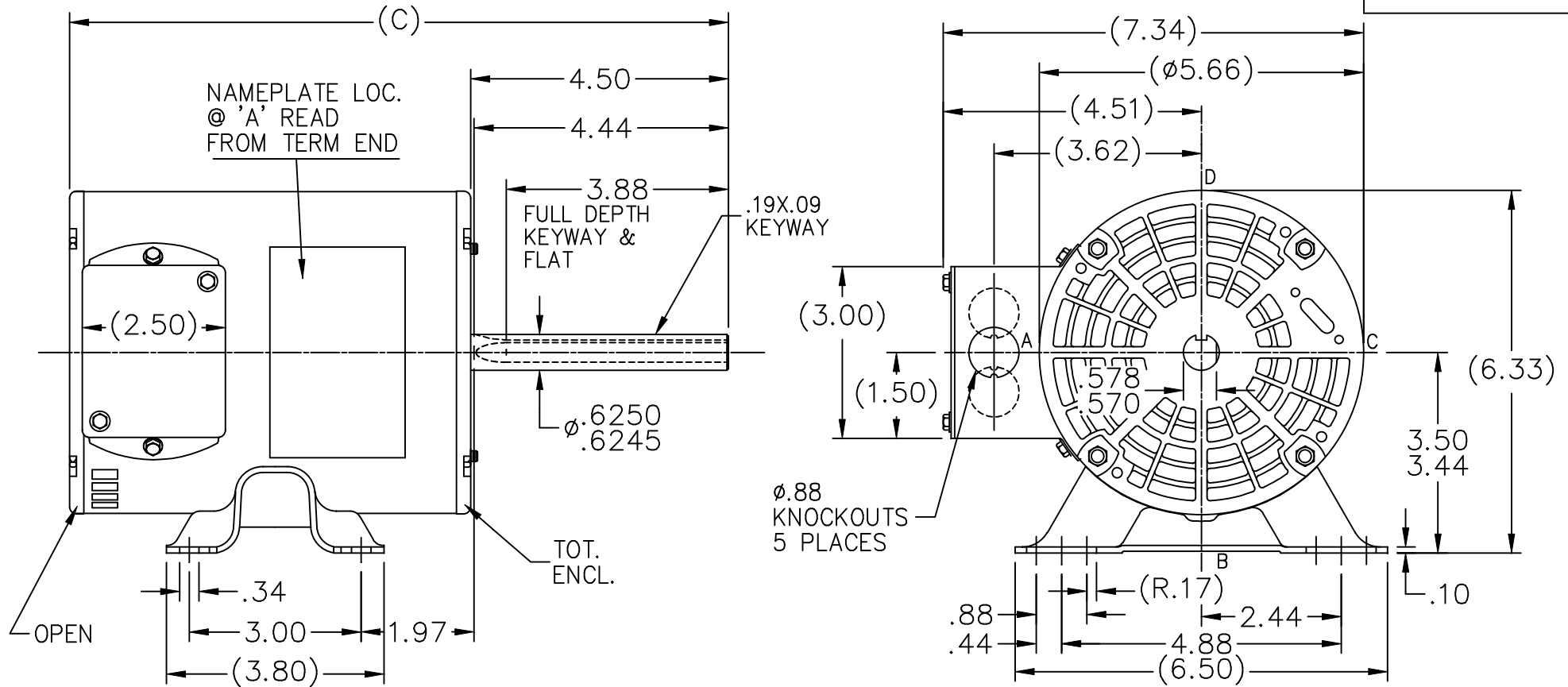
Nameplate Specifications

Output HP	1 Hp	Output KW	0.75 kW
Frequency	60 Hz	Voltage	208-230/460 V
Current	5.8-5.4/2.7 A	Speed	1075 rpm
Service Factor	1	Phase	1
Efficiency	72.5 %	Duty	Continuous
Insulation Class	B	Design Code	NO DESIGN CODE
KVA Code	D	Frame	56Y
Enclosure	Open Air Over	Overload Protector	Auto Lock Rotor Only
Ambient Temperature	40 °C	Drive End Bearing Size	6203
Opp Drive End Bearing Size	6203	UL	Recognized
CSA	Y	CE	Y
IP Code	01		

Technical Specifications

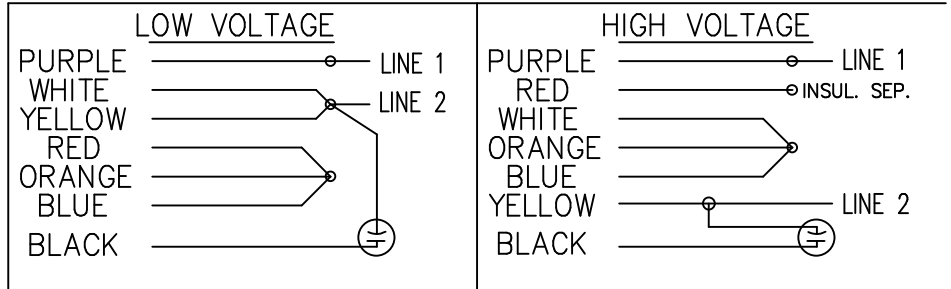
Electrical Type	Permanent Split Capacitor	Starting Method	Across The Line
Poles	6	Rotation	Selective Counterclockwise
Mounting	Rigid base	Motor Orientation	Horizontal
Drive End Bearing	Ball	Opp Drive End Bearing	Ball
Frame Material	Rolled Steel	Shaft Type	Single Special Extension
Overall Length	11.5 in	Frame Length	6.50 in
Shaft Diameter	0.625 in	Shaft Extension	4.5 in
Assembly/Box Mounting	F1 Only		
Outline Drawing	A-SS75104-650	Connection Diagram	9513891

This is an uncontrolled document once printed or downloaded and is subject to change without notice. Date Created: 06/29/2018



DASH	C		
650	11.50		

NOTE:
C.C.W. ROTATION SHOWN.
TO REVERSE INTERCHANGE
BLUE & BLACK LEADS.



		TOLERANCES UNLESS SPECIFIED	
		DEC.	INCHES
4	UPDATED DRAWING	TJW 05/04/2007	.X ±.1
3	'C' 11.50 WAS 12.35 CN26772	HLB 3/12/2001	.XX ±.03
2	RE-ISSUED, ROTATED FLAT 180°	RM 1/25/1991	.XXX ±.005
1	NEW DRAWING 3761325	RM 12/18/1990	.XXXX ±.0005
NO.	REVISION	BY & DATE	CHK ANG ±7'30"
			RFP
			DIST WP

	DRAWN	RM 12/18/1990
	CHK	ML 12/20/1990
	APPD	GK 12/20/1990
	SCALE	3=8
TITLE	OUTLINE	
MAT'L.		
FINISH		
SIZE	DRAWING NO.	PAGE 1 OF 1
A	SS75104	REV. 4

```
ERROR: syntaxerror  
OFFENDING COMMAND: --nostringval--
```

```
STACK :
```

```
/CB  
-dictionary-  
/Pscript_WinNT_Compact  
-dictionary-
```

CCW ROTATION OPP. SHAFT END SHOWN. TO REVERSE, IN EITHER VOLTAGE, INTERCHANGE BLUE WITH BLACK LEADS.

LOW VOLT

HIGH VOLT

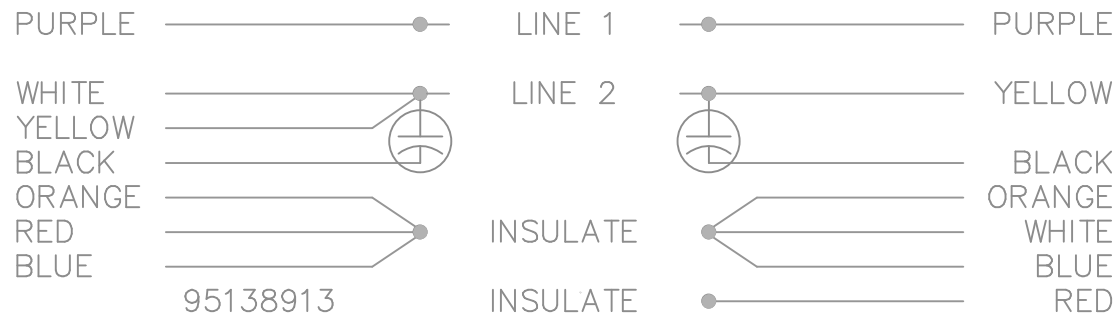


PLATE: 41365

SLOT: 22

				TOLERANCES UNLESS SPECIFIED			DRAWN RM 12-20-1990				
				DEC.	INCHES		CHK ML 01-04-1990				
				.X	±.1		APPD GK 01-04-1990				
				.XX	±.02		SCALE 1=1				
				.XXX	±.005		REF				
1	NEW DRAWING	3761325	RM 12-20-1990	ML	.XXXX ±.0005	MAT'L.	FMF				
NO.	REVISION	BY & DATE	CHK	ANG	±7'30"	FINISH	PREV				
THIS DRAWING IN DESIGN AND DETAIL IS OUR PROPERTY AND MUST NOT BE USED EXCEPT IN CONNECTION WITH OUR WORK ALL RIGHTS OF DESIGN AND INVENTION ARE RESERVED THIS IS AN ELECTRONICALLY GENERATED DOCUMENT - DO NOT SCALE THIS PRINT				RFP		CAD FILE 9513891	SIZE	DRAWING NO.	PAGE	OF	REV.
				DIST			A	9513891			1

CERTIFICATION DATA SHEET

Model#: 56A11030 E WINDING#: PE4861576 NONE 3
 CONN. DIAGRAM: 9513891 ASSEMBLY: F1 ONLY
 OUTLINE: A-SS75104-650

TYPICAL MOTOR PERFORMANCE DATA

HP	KW	SYNC. RPM	F.L. RPM	FRAME	ENCLOSURE	KVA CODE	DESIGN
1	.75	1200	1075	56Y	OPAO	D	NO DESIGN CODE

PH	Hz	VOLTS	FL AMPS	START TYPE	DUTY	INSL	S.F	AMB°C	ELEVATION
1	60	208-230/460	5.8-5.4/2.7	ACROSS THE LINE	CONTINUOUS	B3	1.0	40	3300

FULL LOAD EFF: 72.5	3/4 LOAD EFF: -	1/2 LOAD EFF: -	GTD. EFF	ELEC. TYPE	NO LOAD AMPS
			0	PSC 1 SPEED	2.3 / 1.2

F.L. TORQUE	LOCKED ROTOR AMPS	L.R. TORQUE	B.D. TORQUE	F.L. RISE°C
73.6 LB-FT	16.7 / 8.4	30.6 LB-FT -	131 LB-FT -	-

SOUND PRESSURE @ 3 FT.	SOUND POWER	ROTOR WK^2	MAX. WK^2	SAFE STALL TIME	STARTS /HOUR	APPROX. MOTOR WGT
- dBA	- dBA	- LB-FT^2	- LB-FT^2	- SEC.	-	- LBS.

*** SUPPLEMENTAL INFORMATION ***

DE BRACKET TYPE	ODE BRACKET TYPE	MOUNT TYPE	ORIENTATION	SEVERE DUTY	HAZARDOUS LOCATION	DRIP COVER	SCREENS	PAINT
STANDARD	STANDARD	RIGID	HORIZONTAL	FALSE	NONE	FALSE	NONE	GRAY (POWDER)

BEARINGS		GREASE	SHAFT TYPE	SPECIAL DE	SPECIAL ODE	SHAFT MATERIAL	FRAME MATERIAL
DE	OPE	POLYREX EM	SGL SPL EXT	0.625 x 4.44 WITH 3.88 SEK AND FULL FLAT	NONE	1144 STRESSPROOF (C-223)	ROLLED STEEL
BALL	BALL						
6203	6203						

THERMO-PROTECTORS				THERMISTORS	CONTROL	SPACE /n HEATERS
THERMOSTATS	PROTECTORS	WDG RTDs	BRG RTDs			
NONE	AUT LCK RTR ONLY	NONE	NONE	NONE	FALSE	NONE VOLTS

If Inverter equals NONE, contact factory for further information

INVERTER TORQUE: NONE
INV. HP SPEED RANGE: NONE
ENCODER: NONE
NONE NONE
NONE NONE PPR
BRAKE: NONE NONE
NONE P/N NONE
NONE NONE
NONE FT-LB NONE V NONE Hz

*
N
O
T
E
S
*

DATE: 06/27/2017 04:24:22 AM
 FORM 3531 REV.3 02/07/99
 ** Subject to change without notice.