

PRODUCT INFORMATION PACKET

marathon®
Motors

Model No: 048S34S2004
Catalog No: O005
1/8,3450,SEMI,48N,1/60/115
Single Phase



Regal and Marathon are trademarks of Regal Beloit Corporation or one of its affiliated companies.

©2018 Regal Beloit Corporation, All Rights Reserved. MC017097E

REGAL



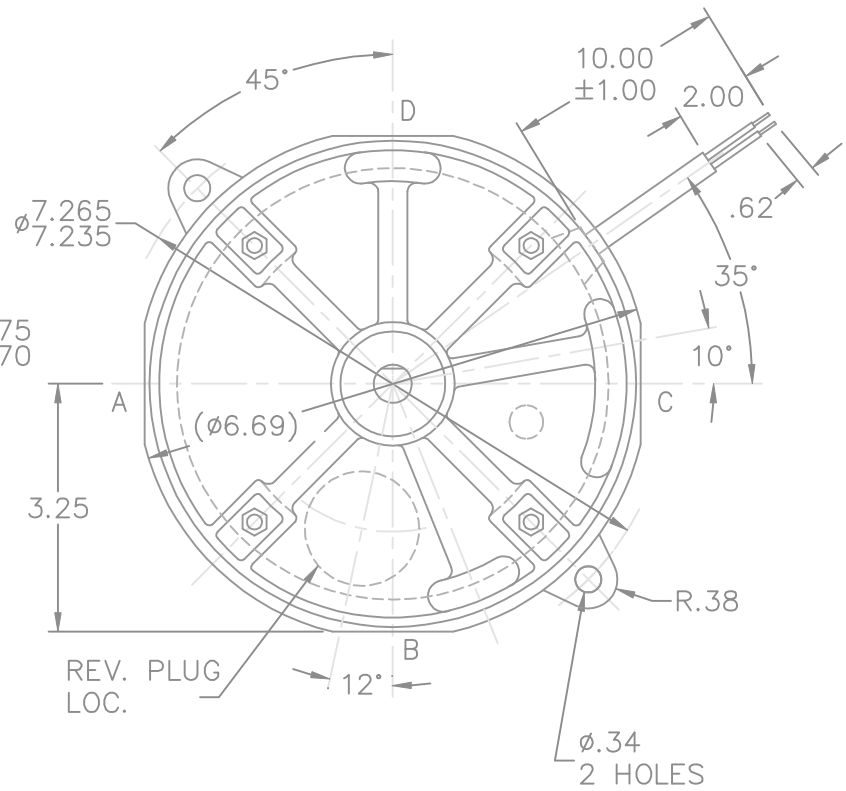
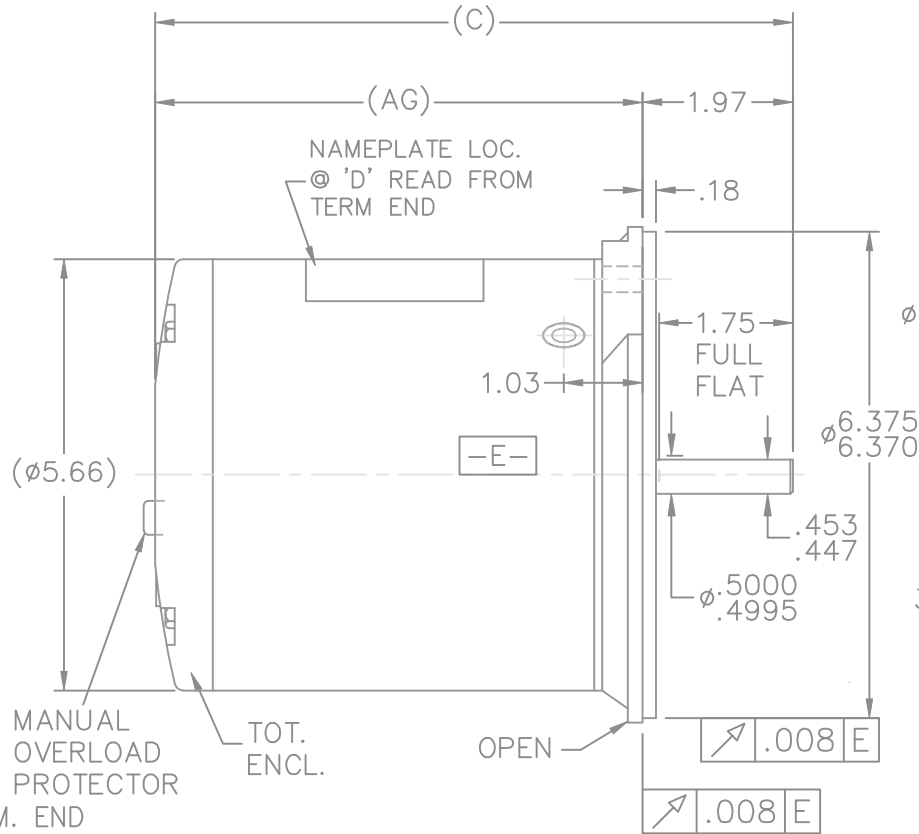
Nameplate Specifications

Output HP	0.13 Hp	Output KW	0.09 kW
Frequency	60 Hz	Voltage	115 V
Current	2.3 A	Speed	3450 rpm
Service Factor	1	Phase	1
Efficiency	47.7 %	Duty	Continuous
Insulation Class	B	Design Code	NO DESIGN CODE
KVA Code	U	Frame	48N
Enclosure	Semi Enclosed	Overload Protector	Manual
Ambient Temperature	40 °C	Drive End Bearing Size	6203
Opp Drive End Bearing Size	6203	UL	Recognized
CSA	Y	CE	Y
IP Code	10		

Technical Specifications

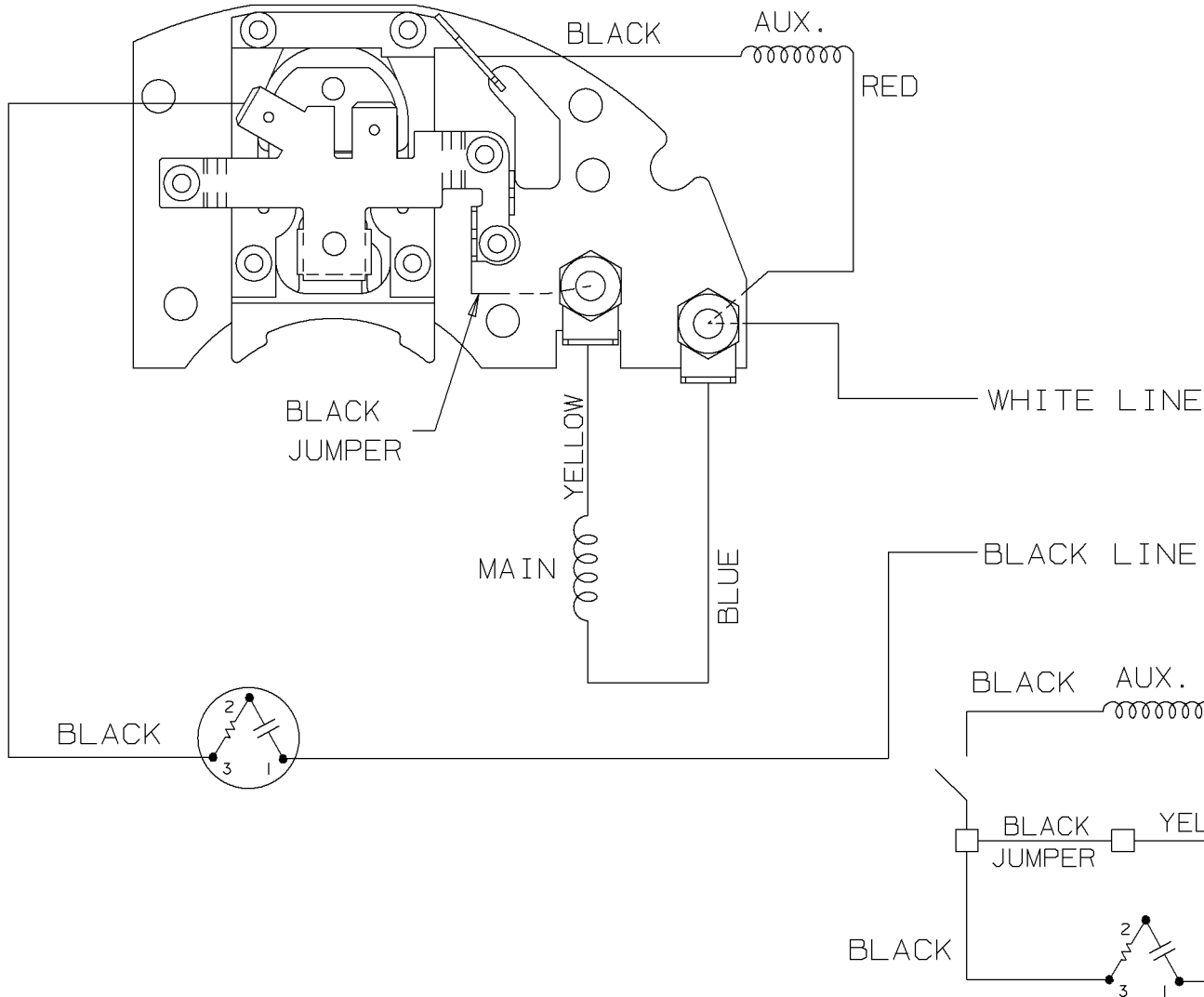
Electrical Type	Split Phase	Starting Method	Across The Line
Poles	2	Rotation	Selective Clockwise
Mounting	Round	Motor Orientation	Horizontal
Drive End Bearing	Ball	Opp Drive End Bearing	Ball
Frame Material	Rolled Steel	Shaft Type	NEMA 48
Overall Length	7.09 in	Frame Length	3.75 in
Shaft Diameter	0.500 in	Shaft Extension	1.97 in
Assembly/Box Mounting	F1 Only		
Outline Drawing	A-SS403842-375	Connection Diagram	A-EE7154BZ

This is an uncontrolled document once printed or downloaded and is subject to change without notice. Date Created: 06/29/2018



TERM. END			
DASH	FR	C	AG
375	48	7.09	5.12

				TOLERANCES UNLESS SPECIFIED				DRAWN NB 04-04-2009	
				DEC.	INCHES			CHK SP 04-04-2009	
				.X	±.1	TITLE OUTLINE		APPD NB 04-04-2009	SCALE 7=16
				.XX	±.03	48 FR.		REF SS75995	FMF 09-0323
				.XXX	±.005	MAT'L.		PREV	
				.XXXX	±.0005	FINISH			
NO.	REVISION			BY & DATE	CHK	ANG	±7'30"		
THIS DRAWING IN DESIGN AND DETAIL IS OUR PROPERTY AND MUST NOT BE USED EXCEPT IN CONNECTION WITH OUR WORK ALL RIGHTS OF DESIGN AND INVENTION ARE RESERVED THIS IS AN ELECTRONICALLY GENERATED DOCUMENT -- DO NOT SCALE THIS PRINT				RFP	04-04-2009	CAD FILE SS403842		SIZE	DRAWING NO. PAGE OF REV.
				DIST	WP			A	SS403842



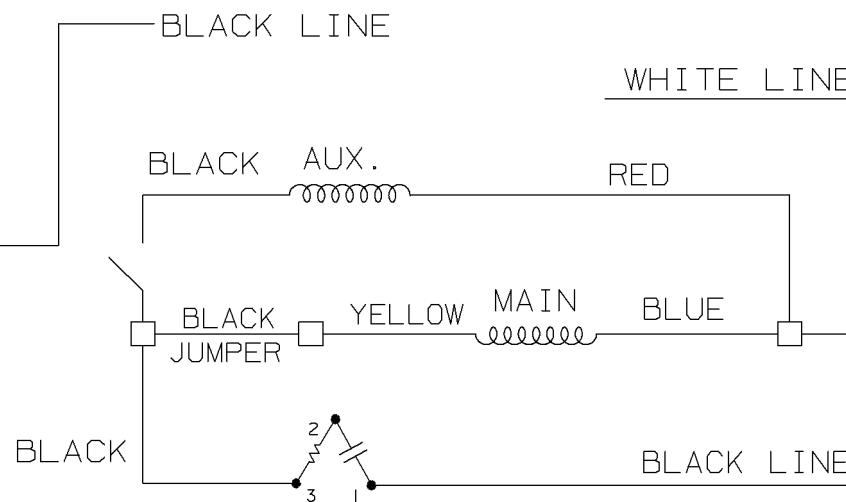
SINGLE HIGH VOLTAGE
SPLIT PHASE MOTOR
WITH OVERLOAD PROTECTOR

CW ROTATION SHOWN

CCW ROTATION -
INTERCHANGE YELLOW & BLUE
LEADS ON THE TERMINAL
BOARD.

USE ON BUILDS WITH CORD
ASSEMBLY

NOTE: LEAD COLOR CHANGED FROM
EE7154BS.



3	08-22-2001	REVERSED SOLDER POST POSITION ON SWITCH ASSEMBLY CN 34233	TJB	✓ MAX. SURFACE ROUGHNESS UNLESS NOTED OTHERWISE	UNLESS OTHERWISE SPECIFIED DIMENSIONS ARE IN INCHES TOL. ON XX± XXX±.005 XXXX±.0005 ANGLES±			
2	07-06-2001	ADDED BLACK JUMPER NOTE CN 31215	TJB	MATL SPEC				DRAWN BY TJB 04-27-2001
1	05-23-2001	NEW DRAWING	TJB	FINISH				CHKD BY ML 05-23-2001
REV	DATE	CHANGE	NAME	REFERENCE DRW.	WAUSAU, WISCONSIN 54401			
				PART NAME CONNECTION DIAGRAM	DRWG NO A- EE7154BZ			

SHOP BOOK

PURCHASED

DISTRIBUTION - ~~W~~ - ~~B~~ - WP - ~~M~~ - ~~R~~

CADD FILE NO.

EE7154BZ

```
ERROR: syntaxerror
OFFENDING COMMAND: --nostringval--
STACK:
  /im
  -savelevel -
```

CERTIFICATION DATA SHEET

Model#: 48S34S2004 J WINDING#: SE482138 R1 1
 CONN. DIAGRAM: A-EE7154BZ ASSEMBLY: F1 ONLY
 OUTLINE: A-SS403842-375

TYPICAL MOTOR PERFORMANCE DATA

HP	KW	SYNC. RPM	F.L. RPM	FRAME	ENCLOSURE	KVA CODE	DESIGN			
1/8	0.09	3600	3450	48N	SEMI ENCLOSED	U	NO DESIGN CODE			
PH	Hz	VOLTS	FL AMPS	START TYPE	DUTY	INSL	S.F	AMB°C	ELEVATION	
1	60	115	2.3	ACROSS THE LINE	CONTINUOUS	B3	1.0	40	3300	
FULL LOAD EFF: 47.7		3/4 LOAD EFF: 43.9		1/2 LOAD EFF: 36		GTD. EFF		ELEC. TYPE		NO LOAD AMPS
FULL LOAD PF: 73.1		3/4 LOAD PF: 65.8		1/2 LOAD PF: 57.9		0		SPLIT PHASE		1.8
F.L. TORQUE		LOCKED ROTOR AMPS		L.R. TORQUE		B.D. TORQUE		F.L. RISE°C		
3.07 LB-FT		23.9		5.92 LB-FT 0		6.18 LB-FT 0		60		
SOUND PRESSURE @ 3 FT.	SOUND POWER	ROTOR WK^2	MAX. WK^2	SAFE STALL TIME	STARTS /HOUR	APPROX. MOTOR WGT				
0 dBA	10 dBA	0 LB-FT^2	0 LB-FT^2	0 SEC.	0	0 LBS.				

*** SUPPLEMENTAL INFORMATION ***

DE BRACKET TYPE	ODE BRACKET TYPE	MOUNT TYPE	ORIENTATION	SEVERE DUTY	HAZARDOUS LOCATION	DRIP COVER	SCREENS	PAINT
N-FLANGE	STANDARD	ROUND	HORIZONTAL	FALSE	NONE	FALSE	NONE	BLACK (POWDER)
BEARINGS		GREASE	SHAFT TYPE	SPECIAL DE	SPECIAL ODE	SHAFT MATERIAL	FRAME MATERIAL	
DE	OPE	MULTEMP SRL	STANDARD 48	NONE	NONE	1144 STRESSPROOF (C-223)	ROLLED STEEL	
BALL	BALL							
6203	6203							
THERMO-PROTECTORS				THERMISTORS	CONTROL	SPACE /n HEATERS		
THERMOSTATS	PROTECTORS	WDG RTDs	BRG RTDs	NONE	FALSE	NONE VOLTS		
NONE	MANUAL	NONE	NONE					

If Inverter equals NONE, contact factory for further information

*
N
O
T
E
S
*

INVERTER TORQUE: NONE
INV. HP SPEED RANGE: NONE
ENCODER: NONE
NONE NONE
NONE NONE PPR
BRAKE: NONE NONE
NONE P/N NONE
NONE NONE
NONE FT-LB NONE V NONE Hz

DATE: 06/29/2017 01:43:23 AM
 FORM 3531 REV.3 02/07/99
 ** Subject to change without notice.