

PRODUCT INFORMATION PACKET

marathon[®]
Motors

Model No: 048S34S2003
Catalog No: O004
1/4,3450,SEMI,48N,1/60/115
Single Phase



Regal and Marathon are trademarks of Regal Beloit Corporation or one of its affiliated companies.

©2018 Regal Beloit Corporation, All Rights Reserved. MC017097E

REGAL[®]



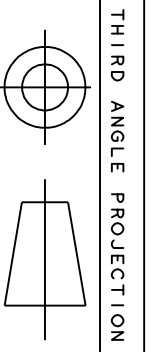
Nameplate Specifications

Output HP	0.25 Hp	Output KW	0.19 kW
Frequency	60 Hz	Voltage	115 V
Current	4.2 A	Speed	3450 rpm
Service Factor	1	Phase	1
Efficiency	56.5 %	Duty	Continuous
Insulation Class	B	Design Code	NO DESIGN CODE
KVA Code	S	Frame	48NZ
Enclosure	Semi Enclosed	Overload Protector	Manual
Ambient Temperature	40 °C	Drive End Bearing Size	6203
Opp Drive End Bearing Size	6203	UL	Recognized
CSA	Y	CE	N
IP Code	10		

Technical Specifications

Electrical Type	Split Phase	Starting Method	Across The Line
Poles	2	Rotation	Selective Clockwise
Mounting	Round	Motor Orientation	Horizontal
Drive End Bearing	Sleeve	Opp Drive End Bearing	Sleeve
Frame Material	Rolled Steel	Shaft Type	Single Special Extension
Overall Length	8.13 in	Shaft Diameter	0.500 in
Shaft Extension	2.09 in	Assembly/Box Mounting	F1 Only
Outline Drawing	52A111274P1	Connection Diagram	52A105379AH

This is an uncontrolled document once printed or downloaded and is subject to change without notice. Date Created: 06/29/2018



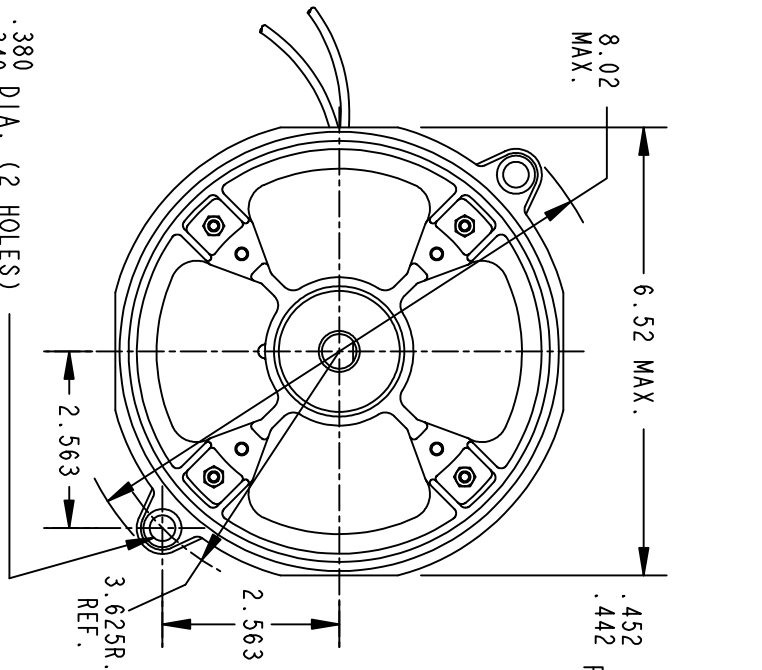
THIRD ANGLE PROJECTION

REVISIONS

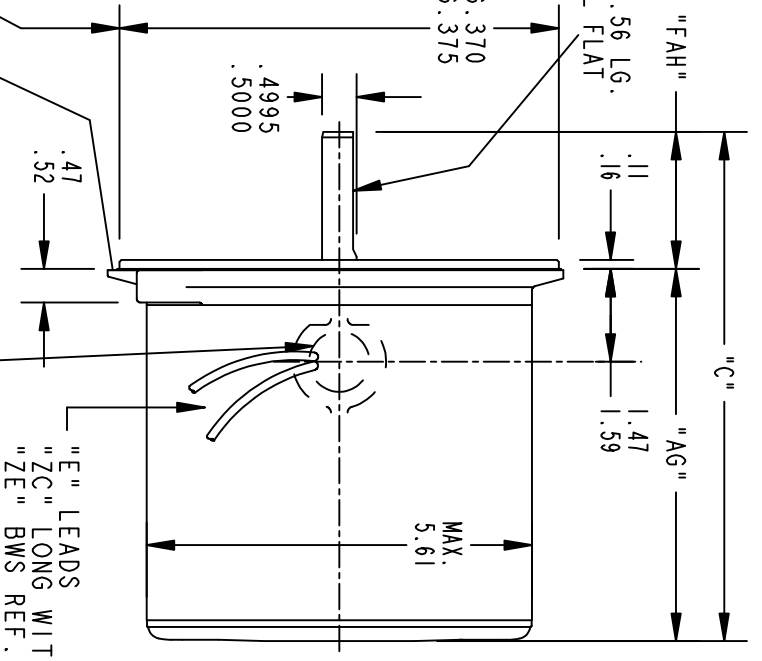
REV.	DESCRIPTION	DATE	APPROVED
1	CHG TO RBC FORMAT PER IS05-1777	04/28/06	PRAVEEN.K

REV 1
SHEET 1

SIZE A DRAWING NO. 52A111274



.380 DIA. (2 HOLES)
.340
THESE HOLES FIT A GAGE HAVING A RABBET 6.3755 DIA. AND 2 PINS .3309 DIA. LOCATED ON THE BASIC HOLE POSITIONS.
ECCENTRICITY OF THIS SURFACE (WITH INDICATOR MOUNTED STATIONARY RELATIVE TO SHAFT) MUST NOT EXCEED .006 T.I.R.



FACE RUNOUT (WITH INDICATOR MOUNTED STATIONARY RELATIVE TO SHAFT) MUST NOT EXCEED .006 T.I.R.
"E" LEADS WITH "ZC" LONG WITH "ZE" BWS REF.
.500-14 CND. THRD.

1	KH	32	48N	8.13	6.07	2	22/20	.69	2.09/1.97	5.16
P	TYPE	GE SIZE	NEMA FR	"C"	"AG"	"E"	"ZC"	"ZE"	"FAH"	MIN. SHELL

SIGNATURES		DATE
MODEL	DURGA	01/13/05
DETAIL		
CHECKED		
ENGRG		
MFG		

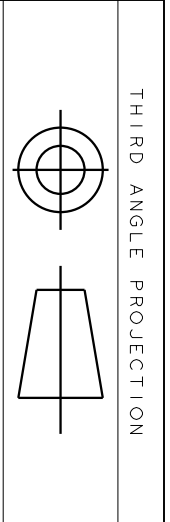
REGAL-BELOIT CORPORATION

OUTLINE

FORM "N" - OIL BURNER MOTOR - TWO LUGS
FLANGE MOUNTED SLEEVE BEARING

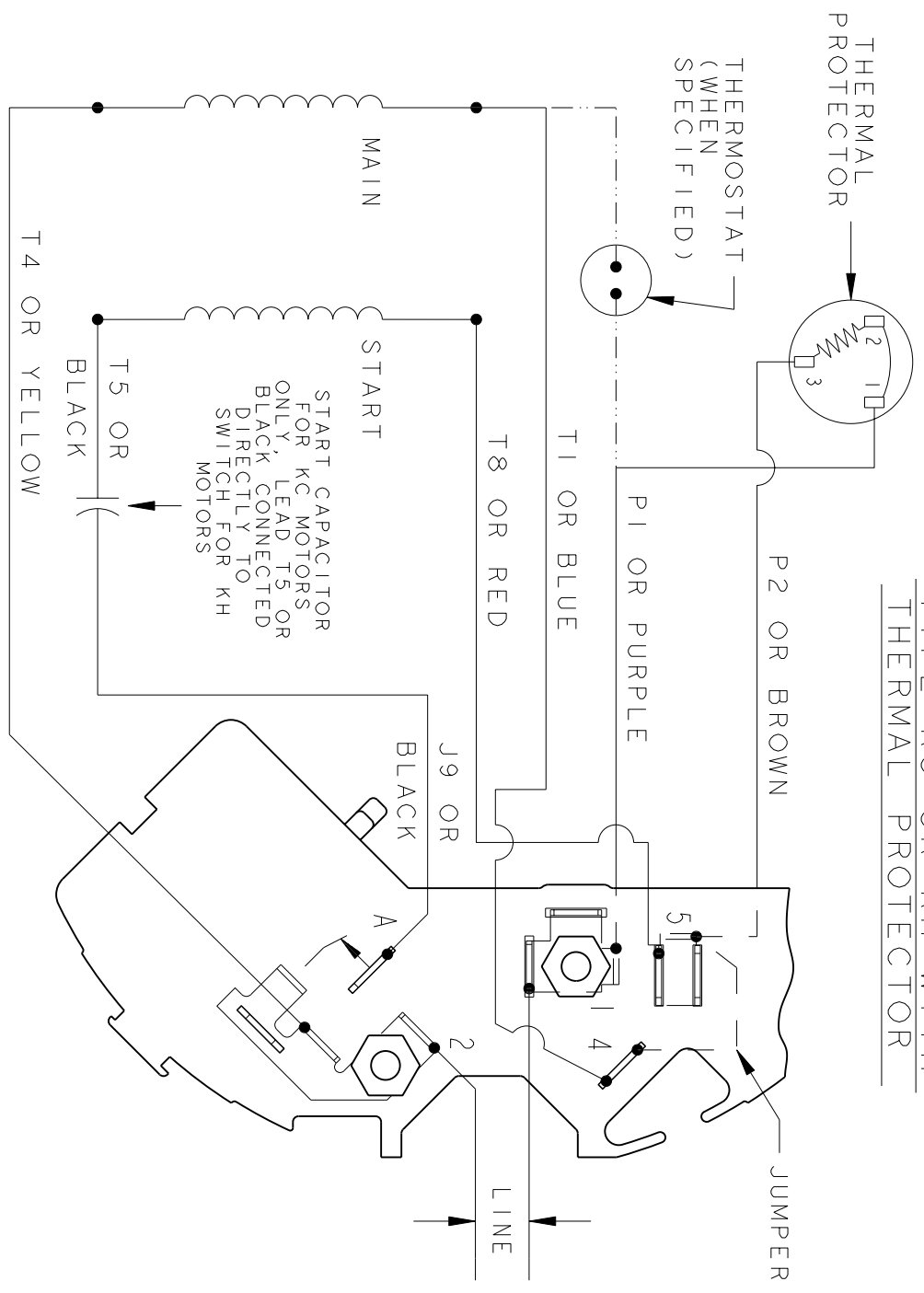
FOR ADDITIONAL INFO REFER TO:	
APPLIED PRACTICES	QUALITY
DIMENSIONS ARE IN INCHES	ISSUED
MATERIAL	SOLID MODEL: 52A111274

SIZE	DRAWING	SCALE	REF. No.	SHEET	REV
A	A	1.000		1 of 1	1



REVISIONS		DATE	APPROVED
REV.	DESCRIPTION		
1	UPDATED FORMAT	12/01/05	MAM

EITHER ROTATION - SINGLE VOLTAGE
TYPE KC OR KH WITH
THERMAL PROTECTOR



START CAPACITOR FOR KC MOTORS ONLY, LEAD T5 OR BLACK, CONNECTED DIRECTLY TO SWITCH FOR KH MOTORS

NOTE #1 - TO REVERSE ROTATION INTERCHANGE RED (T8) AND BLACK (J9-KC OR T5-KH) LEADS.

NOTE #2 - WHEN MORE THAN ONE CAPACITOR IS USED CONNECT IN PARALLEL.

REF. DIAGS. - 121A851 CONNECTION LABEL - NP52X332048

SIGNATURES	DATE
MODEL M.D. PAPE	08/18/88
DETAIL	
CHECKED	
ENGRG	
MFG	
QUALITY	
ISSUED	M.D.P. 08/18/88
SOLID MODEL: 52A105379AH	



REGAL-BELOTT CORPORATION

TITLE CONNECTION DIAGRAM

SIZE DRAWING A
FME: 30FR SWITCH REDESIGN (SIM TO 52A105379AA)
SCALE: 1.000 REF. No.:
SHEET 1 of 1