

# PRODUCT INFORMATION PACKET

**marathon**<sup>®</sup>  
Motors

Model No: 048S17T290  
Catalog No: O601  
1/6,1800,TENV,48N,1/60/115  
Single Phase



Regal and Marathon are trademarks of Regal Beloit Corporation or one of its affiliated companies.

©2018 Regal Beloit Corporation, All Rights Reserved. MC017097E

**REGAL**

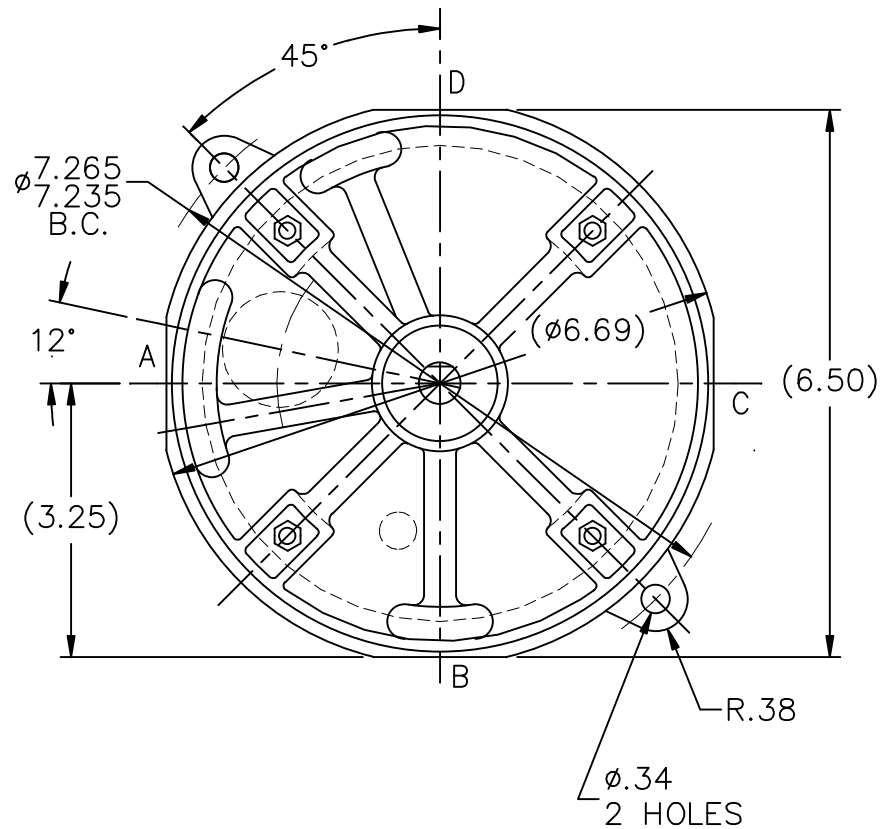
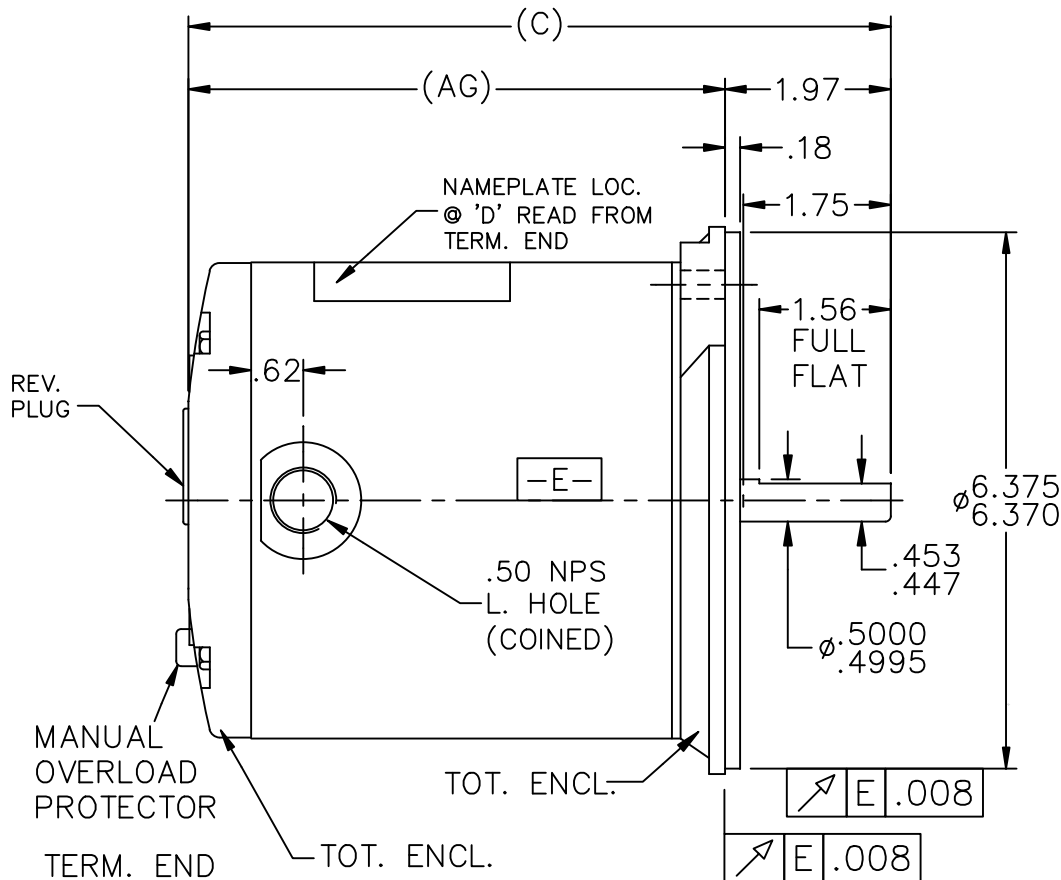
### **Nameplate Specifications**

Output HP	<b>0.17 Hp</b>	Output KW	<b>0.13 kW</b>
Frequency	<b>60 Hz</b>	Voltage	<b>115 V</b>
Current	<b>3.0 A</b>	Speed	<b>1725 rpm</b>
Service Factor	<b>1</b>	Phase	<b>1</b>
Efficiency	<b>58.2 %</b>	Duty	<b>Continuous</b>
Insulation Class	<b>B</b>	Design Code	<b>NO DESIGN CODE</b>
KVA Code	<b>S</b>	Frame	<b>48NZ</b>
Enclosure	<b>Totally Enclosed Non Ventilated</b>	Overload Protector	<b>Manual</b>
Ambient Temperature	<b>40 °C</b>	Drive End Bearing Size	<b>6203</b>
Opp Drive End Bearing Size	<b>6203</b>	UL	<b>Recognized</b>
CSA	<b>Y</b>	CE	<b>Y</b>
IP Code	<b>43</b>		

### **Technical Specifications**

Electrical Type	<b>Split Phase</b>	Starting Method	<b>Across The Line</b>
Poles	<b>4</b>	Rotation	<b>Selective Clockwise</b>
Mounting	<b>Round</b>	Motor Orientation	<b>Horizontal</b>
Drive End Bearing	<b>Ball</b>	Opp Drive End Bearing	<b>Ball</b>
Frame Material	<b>Rolled Steel</b>	Shaft Type	<b>Single Special Extension</b>
Overall Length	<b>7.59 in</b>	Frame Length	<b>4.25 in</b>
Shaft Diameter	<b>0.500 in</b>	Shaft Extension	<b>1.97 in</b>
Assembly/Box Mounting	<b>F1 Only</b>		
Outline Drawing	<b>A-SS403841-425</b>	Connection Diagram	<b>A-EE7154CA</b>

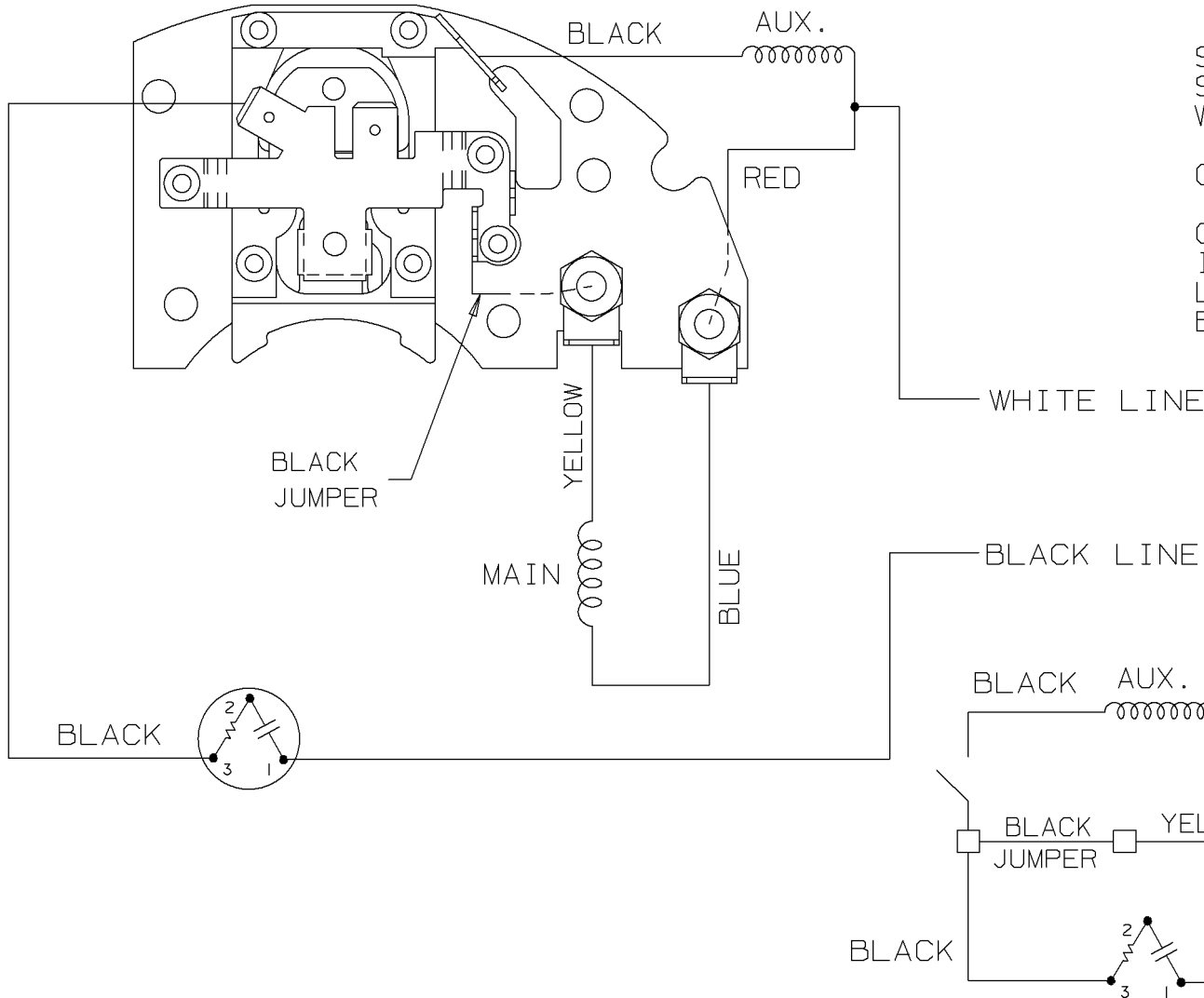
**This is an uncontrolled document once printed or downloaded and is subject to change without notice. Date Created: 10/08/2018**



DASH	C	AG	DASH	C	AG
375	7.09	5.12	450	7.84	5.87
400	7.34	5.37	475	8.09	6.12
425	7.59	5.62	500	8.34	6.37

LEAD DESCRIPTION:  
 1 WHITE, AND 1 BLACK LEAD WITH  
 .50 BARE WIRE STRIP 20.00" LONG.

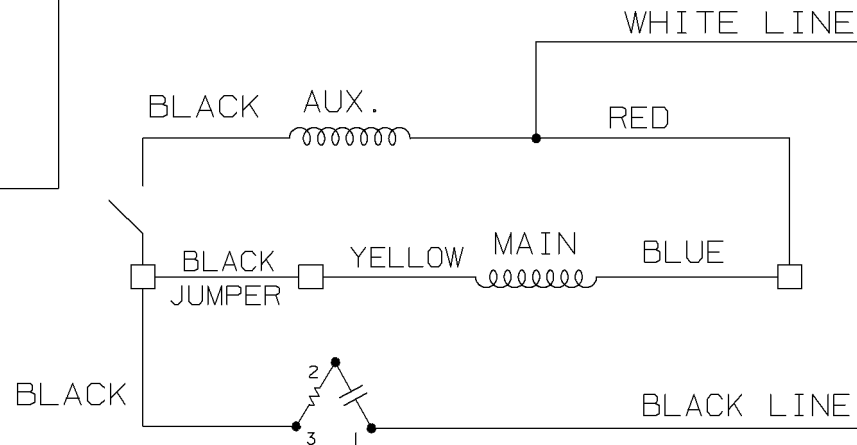
			TOLERANCES UNLESS SPECIFIED			DRAWN NB 04-02-2009				
			DEC.	INCHES		CHK RAD 04-02-2009				
			.X	±.1		APPD NB 04-02-2009				
			.XX	±.03		SCALE 7=16				
			.XXX	±.005	REF SS403833					
			.XXXX	±.0005	FMF 09-0323					
			CHK	ANG	±7'30"	PREV				
1	CHG'D OPEN TO TOT. ENCL.	ISAAC 11-2360	KBB	05-25-2011	EH	.XXXX	±.0005	MAT'L.		
NO.	REVISION		BY & DATE		CHK	ANG	±7'30"	FINISH		
THIS DRAWING IN DESIGN AND DETAIL IS OUR PROPERTY AND MUST NOT BE USED EXCEPT IN CONNECTION WITH OUR WORK ALL RIGHTS OF DESIGN AND INVENTION ARE RESERVED THIS IS AN ELECTRONICALLY GENERATED DOCUMENT - DO NOT SCALE THIS PRINT					RFP	04-02-2009	CAD FILE	SS403841	SIZE	DRAWING NO. PAGE OF REV.
					DIST	WP			A	SS403841 1



SINGLE HIGH VOLTAGE  
SPLIT PHASE MOTOR  
WITH OVERLOAD PROTECTOR

CW ROTATION SHOWN

CCW ROTATION -  
INTERCHANGE YELLOW & BLUE  
LEADS ON THE TERMINAL  
BOARD.



NOTE: LEAD COLOR CHANGED FROM  
EE7154BS.

3	08-22-2001	REVERSED SOLDER POST POSITION ON SWITCH ASSEMBLY CN 34233	TJB	✓ MAX. SURFACE ROUGHNESS UNLESS NOTED OTHERWISE	UNLESS OTHERWISE SPECIFIED DIMENSIONS ARE IN INCHES TOL. ON XX± XXX±.005 XXXX±.0005 ANGLES±				
2	06-08-2001	ADDED BLACK JUMPER LABEL	DRS	MATL SPEC	REPLACES A-EE7154BS & EE7154BT		DRAWN BY TJB	04-27-2001	
1	05-23-2001	NEW DRAWING	TJB	FINISH			CHKD BY ML	05-23-2001	
				REFERENCE DRW.			WAUSAU, WISCONSIN 54401		APPD BY JPL
REV	DATE	CHANGE	NAME	PART NAME CONNECTION DIAGRAM				DRWG NO A-EE7154CA	

SHOP BOOK

PURCHASED

DISTRIBUTION - ~~W~~ - ~~B~~ - WP - ~~M~~ - ~~R~~

CADD FILE NO.

EE7154CA



**P.O. BOX 8003**  
**WAUSAU, WI 54401-8003**  
**PH. 715-675-3311**

**CERTIFICATION DATA SHEET**

**CUSTOMER:**  
**ORDER #:**

**CUSTOMER PO #:**  
**MODEL #:** 48S17T290 V  
**CUSTOMER PART #:**

**CONN. DIAGRAM:** A-EE7154CA

**MOUNTING:** F1 ONLY

**OUTLINE:** A-SS403841-425  
**WINDING #:** SE48475 3

**TYPICAL MOTOR PERFORMANCE DATA**

HP	KW	SYNC. RPM	F.L. RPM	FRAME	ENCLOSURE	KVA CODE	DESIGN
1/6	0.13	1800	1725	48NZ	TENV	S	NO DESIGN CODE

PH	Hz	VOLTS	AMPS	START TYPE	DUTY	INSL	S.F.	AMB°C
1	60	115	2.95	ACROSS THE LINE	CONTINUOUS	B3	1.0	40

FULL LOAD EFF:		58.2	3/4 LOAD EFF:	-	1/2 LOAD EFF:	-	GTD. EFF	ELEC. TYPE
FULL LOAD PF:		-	3/4 LOAD PF:	-	1/2 LOAD PF:	-	-	SPLIT PHASE

F.L. TORQUE	LOCKED ROTOR AMPS	L.R. TORQUE	B.D. TORQUE	F.L. RISE°C
8.14 OZ-FT	25.2	15.8 OZ-FT - %	17 OZ-FT - %	-

SOUND PRESSURE @ 3 FT.	SOUND POWER	ROTOR WK^2	MAX. WK^2	SAFE STALL TIME	STARTS / HOUR	APPROX. MOTOR WGT
- DBA	- DBA	- LB-FT^2	- LB-FT^2	- SEC.	-	- LBS.

**\*\*\* SUPPLEMENTAL INFORMATION \*\*\***

DE BRACKET TYPE	ODE BRACKET TYPE	MOUNT TYPE	ORIENTATION	SEVERE DUTY	HAZARDOUS LOCATION	DRIP COVER	SCREENS	PAINT
N-FLANGE	STANDARD	ROUND	HORIZONTAL	FALSE	NONE	FALSE	NONE	BLACK (POWDER)

BEARINGS		GREASE	SHAFT TYPE	SPECIAL DE	SPECIAL ODE	SHAFT MATERIAL	FRAME MATERIAL
DE	ODE						
BALL	BALL	MULTEMP	SGL SPL EXT	0.500 x 1.75 IN SEF WITH 1.56 IN FULL FLAT	NONE	1144 STRESSPROOF (C-223)	ROLLED STEEL
6203	6203						

THERMO-PROTECTORS				THERMISTORS	CONTROL	SPACE HEATERS
THERMOSTATS	PROTECTORS	WDG RTDS	BRG RTDS	NONE	FALSE	NONE
NONE	MANUAL	NONE	NONE	NONE	FALSE	NONE

* INVERTER TORQUE: NONE	
INV. HP SPEED RANGE: NONE	

* ENCODER: NONE	
NONE NONE NONE PPR	

* BRAKE: NONE	
NONE NONE NONE FT-LB NONE V NONE HZ	

**S**  
**E**  
**T**  
**O**  
**N**  
**\***

**PREPARED BY:** Gosula Reddy

**Srikanth**

**DATE:** 06/29/2017 01:46:57 AM

**FORM 3531 REV.3 02/07/99**

\*\* Subject to change without notice.