

PRODUCT INFORMATION PACKET

marathon[®]
Motors

Model No: 048S17T286
Catalog No: O600
1/8,1725,TENV,48N,1/60/115
Single Phase



Regal and Marathon are trademarks of Regal Beloit Corporation or one of its affiliated companies.

©2018 Regal Beloit Corporation, All Rights Reserved. MC017097E

REGAL

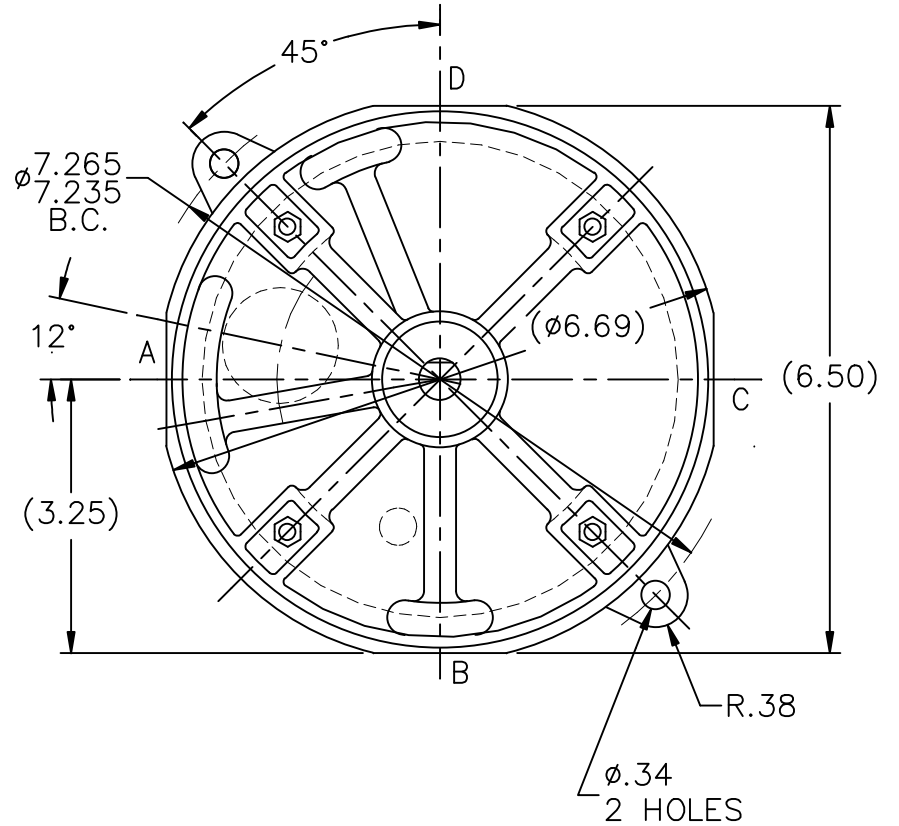
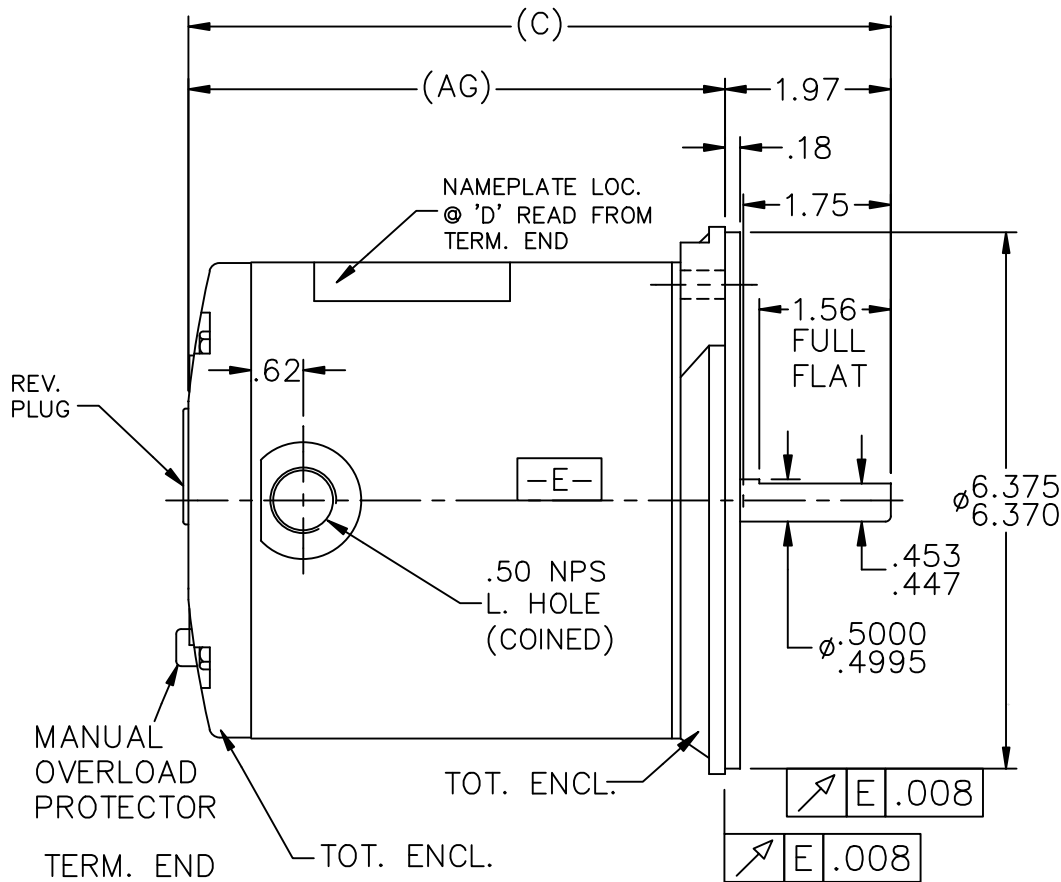
Nameplate Specifications

Output HP	0.13 Hp	Output KW	0.09 kW
Frequency	60 Hz	Voltage	115 V
Current	2.6 A	Speed	1725 rpm
Service Factor	1	Phase	1
Efficiency	50.5 %	Duty	Continuous
Insulation Class	B	Design Code	NO DESIGN CODE
KVA Code	T	Frame	48N
Enclosure	Totally Enclosed Non Ventilated	Overload Protector	Manual
Ambient Temperature	40 °C	Drive End Bearing Size	6203
Opp Drive End Bearing Size	6203	UL	Recognized
CSA	Y	CE	N
IP Code	43		

Technical Specifications

Electrical Type	Split Phase	Starting Method	Across The Line
Poles	4	Rotation	Selective Clockwise
Mounting	Round	Motor Orientation	Horizontal
Drive End Bearing	Ball	Opp Drive End Bearing	Ball
Frame Material	Rolled Steel	Shaft Type	NEMA 48
Overall Length	7.59 in	Frame Length	4.25 in
Shaft Diameter	0.500 in	Shaft Extension	1.97 in
Assembly/Box Mounting	F1 Only		
Outline Drawing	A-SS403841-425	Connection Diagram	A-EE7154CA

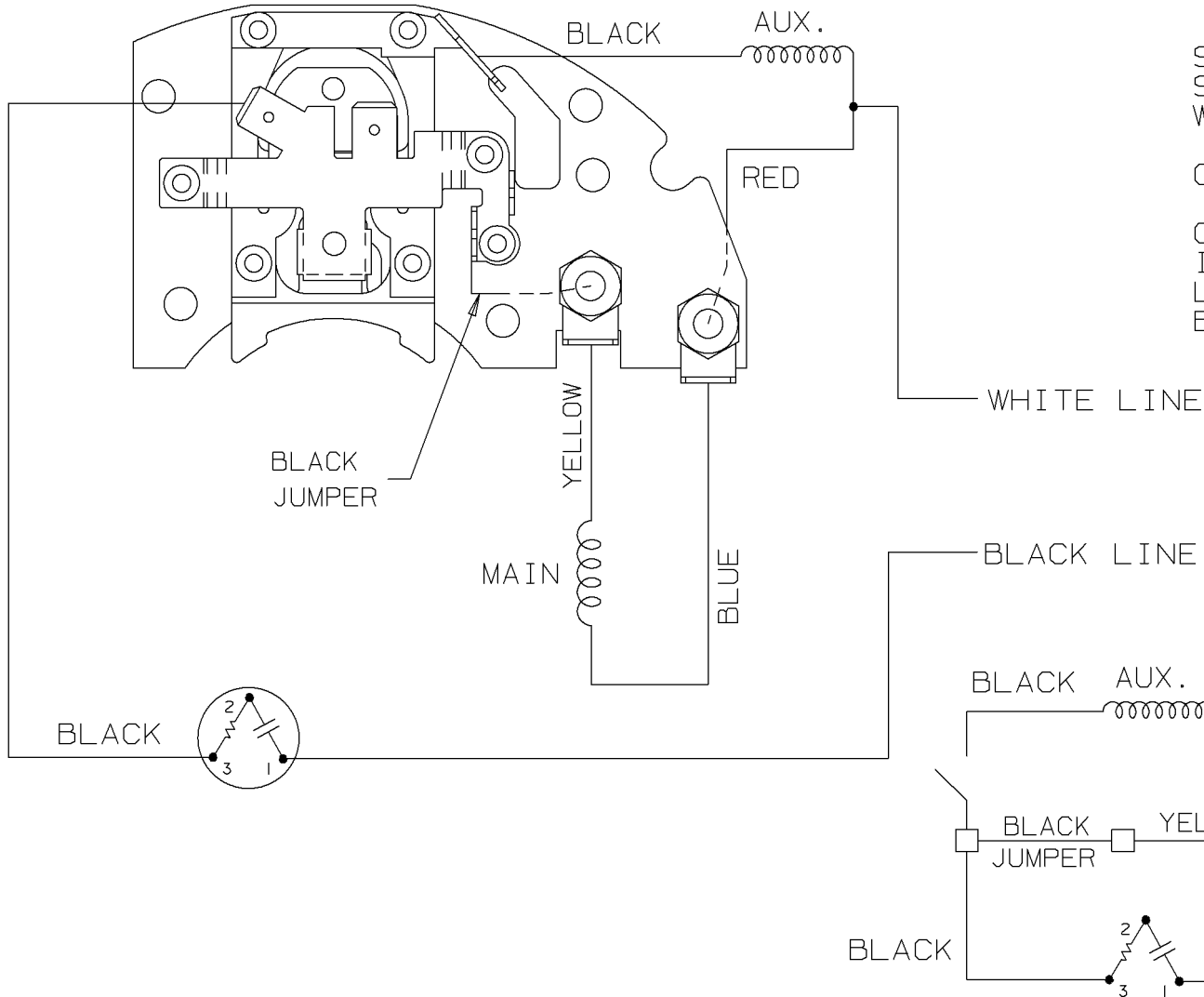
This is an uncontrolled document once printed or downloaded and is subject to change without notice. Date Created: 10/08/2018



DASH	C	AG	DASH	C	AG
375	7.09	5.12	450	7.84	5.87
400	7.34	5.37	475	8.09	6.12
425	7.59	5.62	500	8.34	6.37

LEAD DESCRIPTION:
 1 WHITE, AND 1 BLACK LEAD WITH
 .50 BARE WIRE STRIP 20.00" LONG.

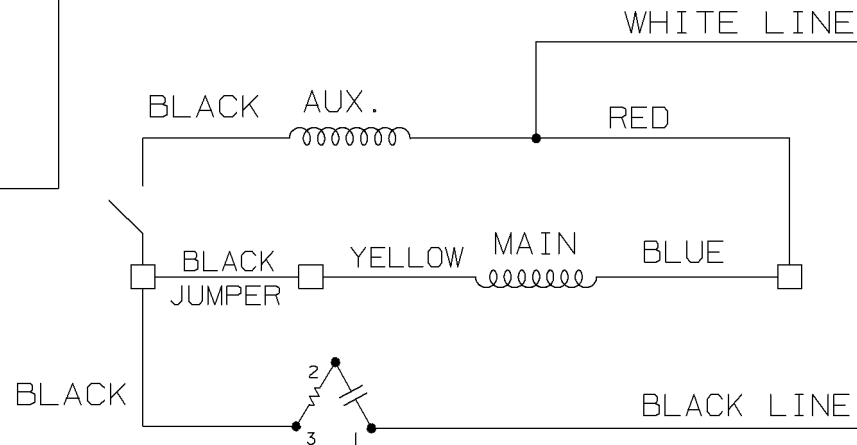
			TOLERANCES UNLESS SPECIFIED		MARATHON ELECTRIC	DRAWN NB 04-02-2009					
			DEC.	INCHES		CHK	RAD	04-02-2009			
			.X	±.1	TITLE OUTLINE 48 FR.	APPD	NB	04-02-2009	SCALE	7=16	
			.XX	±.03		REF	SS403833	FMF	09-0323	PREV	
			.XXX	±.005		MAT'L.					
			.XXXX	±.0005		FINISH					
1	CHG'D OPEN TO TOT. ENCL.	ISAAC 11-2360	KBB	05-25-2011	EH	.XXXX	±.0005				
NO.	REVISION	BY & DATE	CHK	ANG	±7'30"						
THIS DRAWING IN DESIGN AND DETAIL IS OUR PROPERTY AND MUST NOT BE USED EXCEPT IN CONNECTION WITH OUR WORK ALL RIGHTS OF DESIGN AND INVENTION ARE RESERVED THIS IS AN ELECTRONICALLY GENERATED DOCUMENT - DO NOT SCALE THIS PRINT					RFP	04-02-2009	CAD FILE	SS403841	SIZE	DRAWING NO. PAGE OF REV.	
					DIST	WP			A	SS403841 1 1	



SINGLE HIGH VOLTAGE
SPLIT PHASE MOTOR
WITH OVERLOAD PROTECTOR

CW ROTATION SHOWN

CCW ROTATION -
INTERCHANGE YELLOW & BLUE
LEADS ON THE TERMINAL
BOARD.



NOTE: LEAD COLOR CHANGED FROM
EE7154BS.

3	08-22-2001	REVERSED SOLDER POST POSITION ON SWITCH ASSEMBLY CN 34233	TJB	✓ MAX. SURFACE ROUGHNESS UNLESS NOTED OTHERWISE	UNLESS OTHERWISE SPECIFIED DIMENSIONS ARE IN INCHES TOL. ON XX± XXX±.005 XXXX±.0005 ANGLES±				
2	06-08-2001	ADDED BLACK JUMPER LABEL	DRS	MATL SPEC	REPLACES A-EE7154BS & EE7154BT		DRAWN BY TJB	04-27-2001	
1	05-23-2001	NEW DRAWING	TJB	FINISH			CHKD BY ML	05-23-2001	
				REFERENCE DRW.			WAUSAU, WISCONSIN 54401		APPD BY JPL
REV	DATE	CHANGE	NAME	PART NAME CONNECTION DIAGRAM				DRWG NO A-EE7154CA	

SHOP BOOK

PURCHASED

DISTRIBUTION - ~~W~~ - ~~B~~ - WP - ~~M~~ - ~~R~~

CADD FILE NO.

EE7154CA

CERTIFICATION DATA SHEET

Model#: 48S17T286 U WINDING#: SE484109 NONE 1
 CONN. DIAGRAM: A-EE7154CA ASSEMBLY: F1 ONLY
 OUTLINE: A-SS403841-425

TYPICAL MOTOR PERFORMANCE DATA

HP	KW	SYNC. RPM	F.L. RPM	FRAME	ENCLOSURE	KVA CODE	DESIGN
1/8	0.09	1800	1725	48N	TENV	T	NO DESIGN CODE

PH	Hz	VOLTS	FL AMPS	START TYPE	DUTY	INSL	S.F	AMB°C	ELEVATION
1	60	115	2.6	ACROSS THE LINE	CONTINUOUS	B3	1.0	40	3300

FULL LOAD EFF: 50.5	3/4 LOAD EFF: 45.4	1/2 LOAD EFF: 37.8	GTD. EFF	ELEC. TYPE	NO LOAD AMPS
FULL LOAD PF: 56.4	3/4 LOAD PF: 49.4	1/2 LOAD PF: 42.5	0	SPLIT PHASE	2.6

F.L. TORQUE	LOCKED ROTOR AMPS	L.R. TORQUE	B.D. TORQUE	F.L. RISE°C
6.1 LB-FT	23.4	11.9 LB-FT -	16.2 LB-FT -	75

SOUND PRESSURE @ 3 FT.	SOUND POWER	ROTOR WK^2	MAX. WK^2	SAFE STALL TIME	STARTS /HOUR	APPROX. MOTOR WGT
60 dBA	70 dBA	- LB-FT^2	- LB-FT^2	- SEC.	-	- LBS.

*** SUPPLEMENTAL INFORMATION ***

DE BRACKET TYPE	ODE BRACKET TYPE	MOUNT TYPE	ORIENTATION	SEVERE DUTY	HAZARDOUS LOCATION	DRIP COVER	SCREENS	PAINT
N-FLANGE	STANDARD	ROUND	HORIZONTAL	FALSE	NONE	FALSE	NONE	BLACK (POWDER)

BEARINGS		GREASE	SHAFT TYPE	SPECIAL DE	SPECIAL ODE	SHAFT MATERIAL	FRAME MATERIAL
DE	OPE	MULTEMP SRL	STANDARD 48	NONE	NONE	1144 STRESSPROOF (C-223)	ROLLED STEEL
BALL	BALL						
6203	6203						

THERMO-PROTECTORS				THERMISTORS	CONTROL	SPACE /n HEATERS
THERMOSTATS	PROTECTORS	WDG RTDs	BRG RTDs	NONE	FALSE	NONE VOLTS
NONE	MANUAL	NONE	NONE			

If Inverter equals NONE, contact factory for further information

INVERTER TORQUE: NONE
INV. HP SPEED RANGE: NONE
ENCODER: NONE
NONE NONE
NONE NONE PPR
BRAKE: NONE NONE
NONE P/N NONE
NONE NONE
NONE FT-LB NONE V NONE Hz

*
N
O
T
E
S
*

DATE: 06/29/2017 01:33:37 AM
 FORM 3531 REV.3 02/07/99
 ** Subject to change without notice.