

# PRODUCT INFORMATION PACKET

**marathon®**  
Motors

Model No: 048S17S24  
Catalog No: O003  
1/3,1725,SEMI,48N,1/60/115  
Single Phase



Regal and Marathon are trademarks of Regal Beloit Corporation or one of its affiliated companies.

©2018 Regal Beloit Corporation, All Rights Reserved. MC017097E

**REGAL**

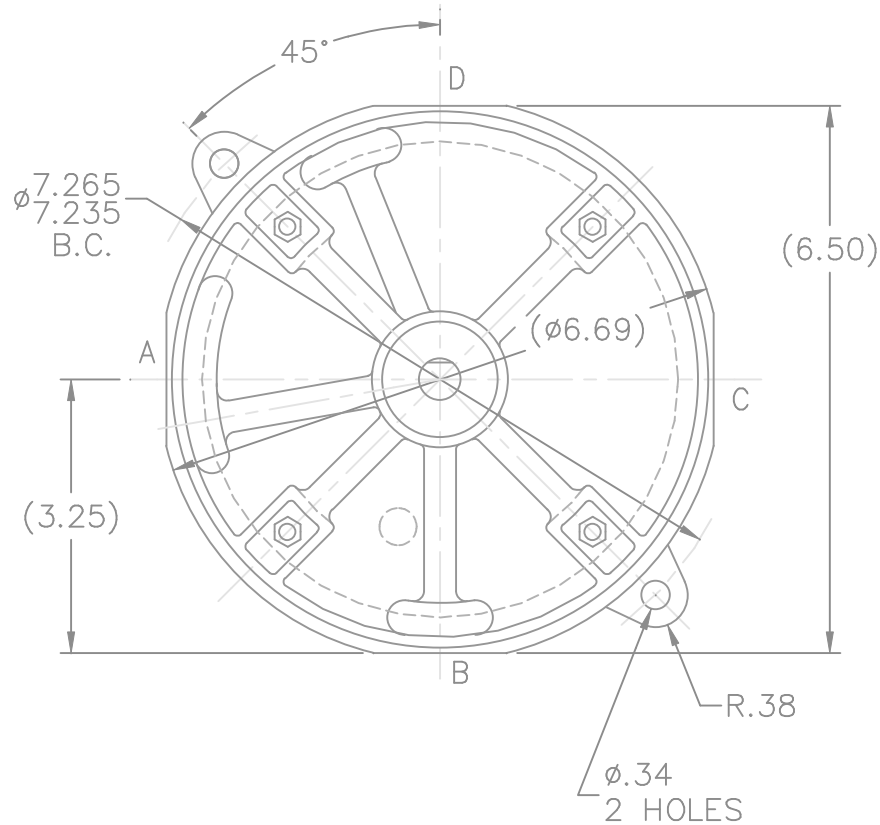
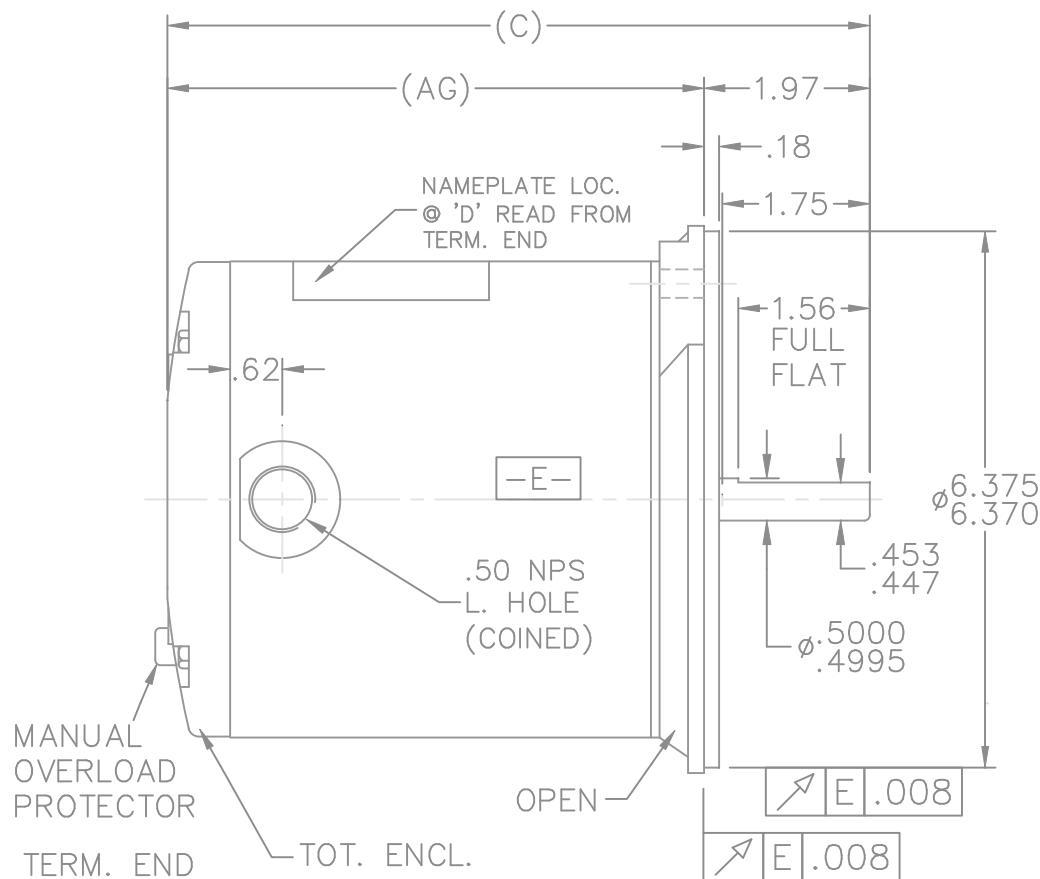
**Nameplate Specifications**

Output HP	<b>0.33 Hp</b>	Output KW	<b>0.25 kW</b>
Frequency	<b>60 Hz</b>	Voltage	<b>115 V</b>
Current	<b>5.0 A</b>	Speed	<b>1725 rpm</b>
Service Factor	<b>1</b>	Phase	<b>1</b>
Efficiency	<b>68 %</b>	Duty	<b>Continuous</b>
Insulation Class	<b>B</b>	Design Code	<b>NO DESIGN CODE</b>
KVA Code	<b>N</b>	Frame	<b>48N</b>
Enclosure	<b>Semi Enclosed</b>	Overload Protector	<b>Manual</b>
Ambient Temperature	<b>40 °C</b>	Drive End Bearing Size	<b>6203</b>
Opp Drive End Bearing Size	<b>6203</b>	UL	<b>Recognized</b>
CSA	<b>Y</b>	CE	<b>Y</b>
IP Code	<b>10</b>		

**Technical Specifications**

Electrical Type	<b>Split Phase</b>	Starting Method	<b>Across The Line</b>
Poles	<b>4</b>	Rotation	<b>Selective Counterclockwise</b>
Mounting	<b>Round</b>	Motor Orientation	<b>Horizontal</b>
Drive End Bearing	<b>Ball</b>	Opp Drive End Bearing	<b>Ball</b>
Frame Material	<b>Rolled Steel</b>	Shaft Type	<b>NEMA 48</b>
Overall Length	<b>8.34 in</b>	Frame Length	<b>5.00 in</b>
Shaft Diameter	<b>0.500 in</b>	Shaft Extension	<b>1.97 in</b>
Assembly/Box Mounting	<b>F1 Only</b>		
Outline Drawing	<b>A-SS403833-500</b>	Connection Diagram	<b>A-EE7154CB</b>

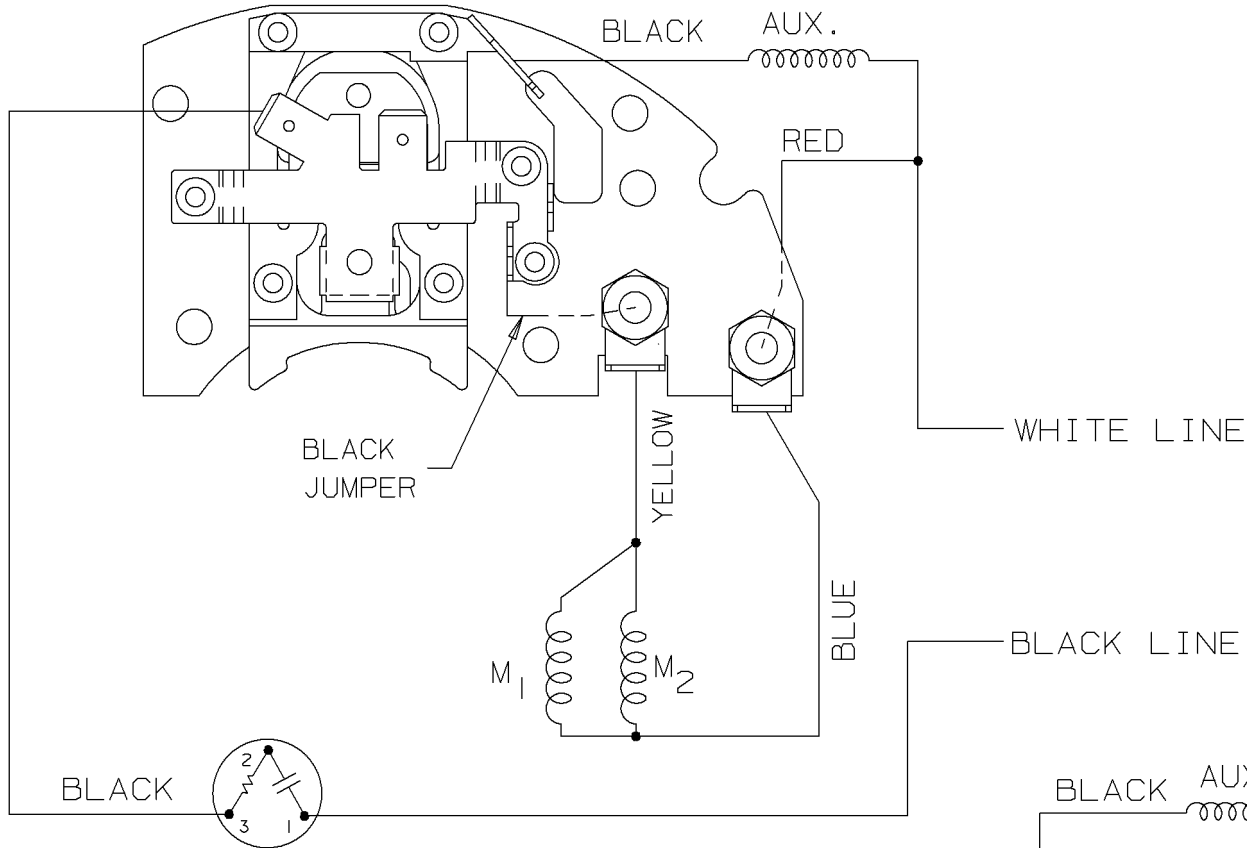
**This is an uncontrolled document once printed or downloaded and is subject to change without notice. Date Created: 10/08/2018**



DASH	C	AG	DASH	C	AG
400	7.34	5.37	475	8.09	6.12
425	7.59	5.62	500	8.34	6.37
450	7.84	5.87			

LEAD DESCRIPTION:  
1 WHITE, AND 1 BLACK LEAD WITH  
.50 BARE WIRE STRIP 20.00" LONG.

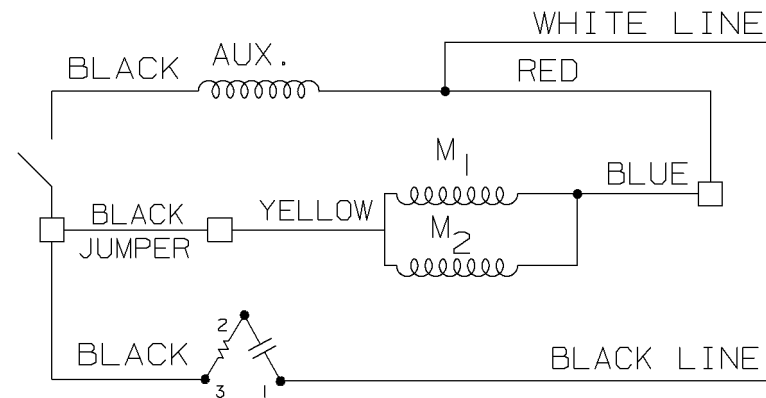
				TOLERANCES UNLESS SPECIFIED			DRAWN NB 02-24-2009						
				DEC.	INCHES		CHK	RAD 02-24-2009					
				.X	±.1	TITLE OUTLINE 48 FR.  MAT'L.  FINISH	APPD NB 02-24-2009						
				.XX	±.03		SCALE 7=16						
				.XXX	±.005		REF SS75998						
				.XXXX	±.0005		FMF 09-0323						
NO.	REVISION			BY & DATE	CHK	ANG	PREV						
THIS DRAWING IN DESIGN AND DETAIL IS OUR PROPERTY AND MUST NOT BE USED EXCEPT IN CONNECTION WITH OUR WORK ALL RIGHTS OF DESIGN AND INVENTION ARE RESERVED THIS IS AN ELECTRONICALLY GENERATED DOCUMENT - DO NOT SCALE THIS PRINT				RFP	02-24-2009	CAD FILE	ss403833		SIZE	DRAWING NO.	PAGE	OF	REV.
				DIST	WP	A	SS403833						



SINGLE VOLTAGE  
SPLIT PHASE MOTOR  
WITH OVERLOAD PROTECTOR

CW ROTATION SHOWN

CCW ROTATION -  
INTERCHANGE YELLOW & BLUE  
LEADS ON THE TERMINAL  
BOARD.



3	08-22-2001	REVERSED SOLDER POST POSITION ON SWITCH ASSEMBLY CN 34233	TJB	✓ MAX. SURFACE ROUGHNESS UNLESS NOTED OTHERWISE	UNLESS OTHERWISE SPECIFIED DIMENSIONS ARE IN INCHES TOL. ON XX±    XXX±.005    XXXX±.0005    ANGLES±				
2	06-13-2001	ADDED BLACK JUMPER LABEL	DRS	MATL SPEC					
1	05-23-2001	NEW DRAWING	TJB	REFERENCE DRW.					WAUSAU, WISCONSIN 54401 DRAWN BY TJB 04-27-2001 CHKD BY ML 05-23-2001 APPD BY JPL 05-23-2001
REV	DATE	CHANGE	NAME	PART NAME CONNECTION DIAGRAM					DRWG NO A- EE7154CB

SHOP BOOK

PURCHASED

DISTRIBUTION - ~~W~~ - ~~B~~ - WP - ~~M~~ - ~~R~~

CADD FILE NO.

EE7154CB

