

PRODUCT INFORMATION PACKET

marathon[®]
Motors

Model No: 048S17D7209
Catalog No: B402
1/3,18/12,DP,48,1/60/115
Single Phase



Regal and Marathon are trademarks of Regal Beloit Corporation or one of its affiliated companies.
©2018 Regal Beloit Corporation, All Rights Reserved. MC017097E

REGAL[®]

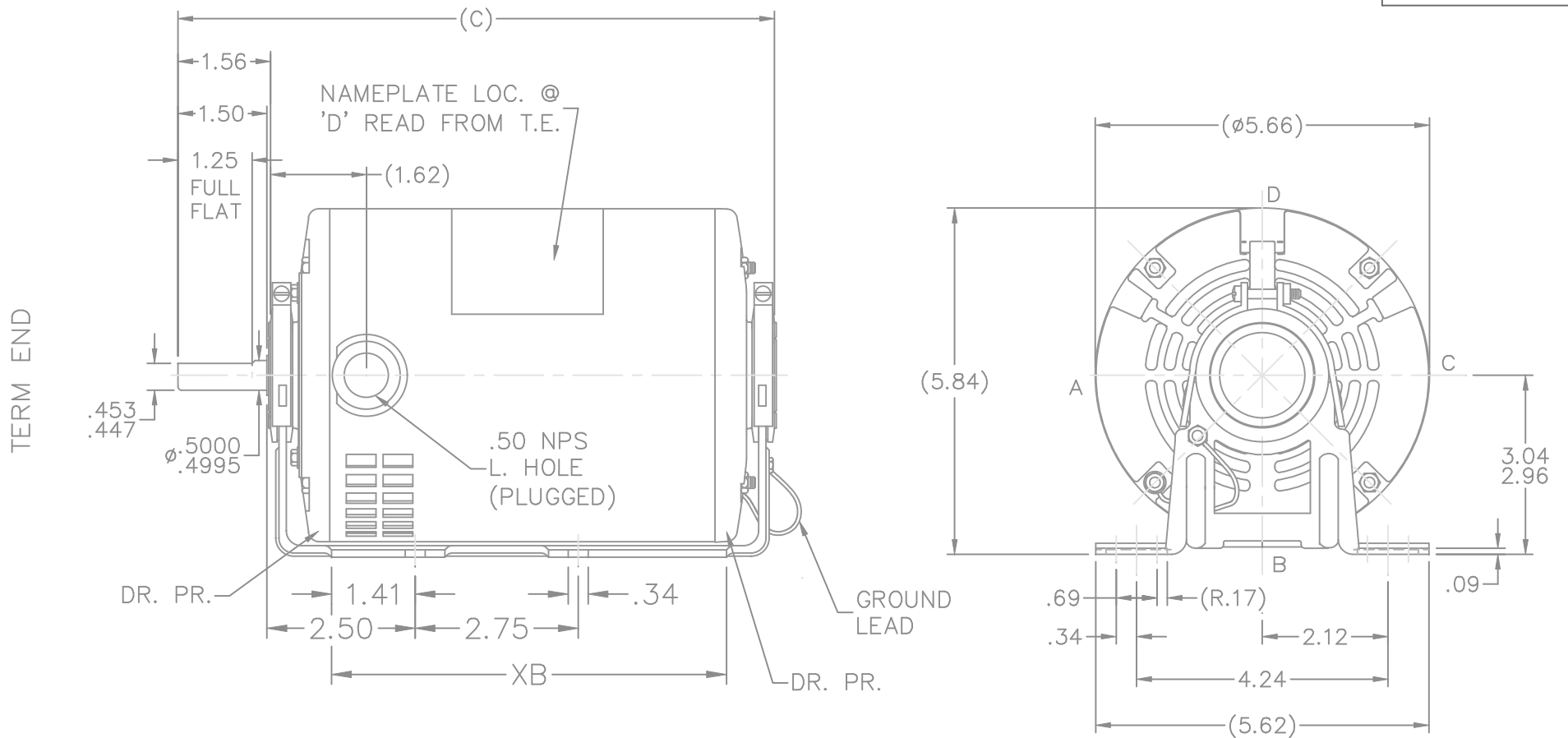
Nameplate Specifications

| | | | |
|----------------------------|--------------|------------------------|---------------|
| Output HP | 0.33,0.11 Hp | Output KW | 0.25 kW |
| Frequency | 60 Hz | Voltage | 115 V |
| Current | 5.3,2.9 A | Speed | 1725,1165 rpm |
| Service Factor | 1 | Phase | 1 |
| Efficiency | 59.5 % | Duty | Continuous |
| Insulation Class | B | Design Code | 2VT |
| KVA Code | P | Frame | 48 |
| Enclosure | Drip Proof | Overload Protector | Automatic |
| Ambient Temperature | 40 °C | Drive End Bearing Size | 6203 |
| Opp Drive End Bearing Size | 6203 | UL | No |
| CSA | Y | CE | Y |
| IP Code | 22 | | |


Technical Specifications

| | | | |
|-----------------------|----------------|-----------------------|----------------------------|
| Electrical Type | Split Phase | Starting Method | Across The Line |
| Poles | 4//6 | Rotation | Selective Counterclockwise |
| Mounting | Resilient Base | Motor Orientation | Horizontal |
| Drive End Bearing | Ball | Opp Drive End Bearing | Ball |
| Frame Material | Rolled Steel | Shaft Type | NEMA 48 |
| Overall Length | 10.31 in | Frame Length | 6.75 in |
| Shaft Diameter | 0.500 in | Shaft Extension | 1.56 in |
| Assembly/Box Mounting | F1 Only | | |
| Outline Drawing | A-SS403623-675 | Connection Diagram | A-EE9005B |

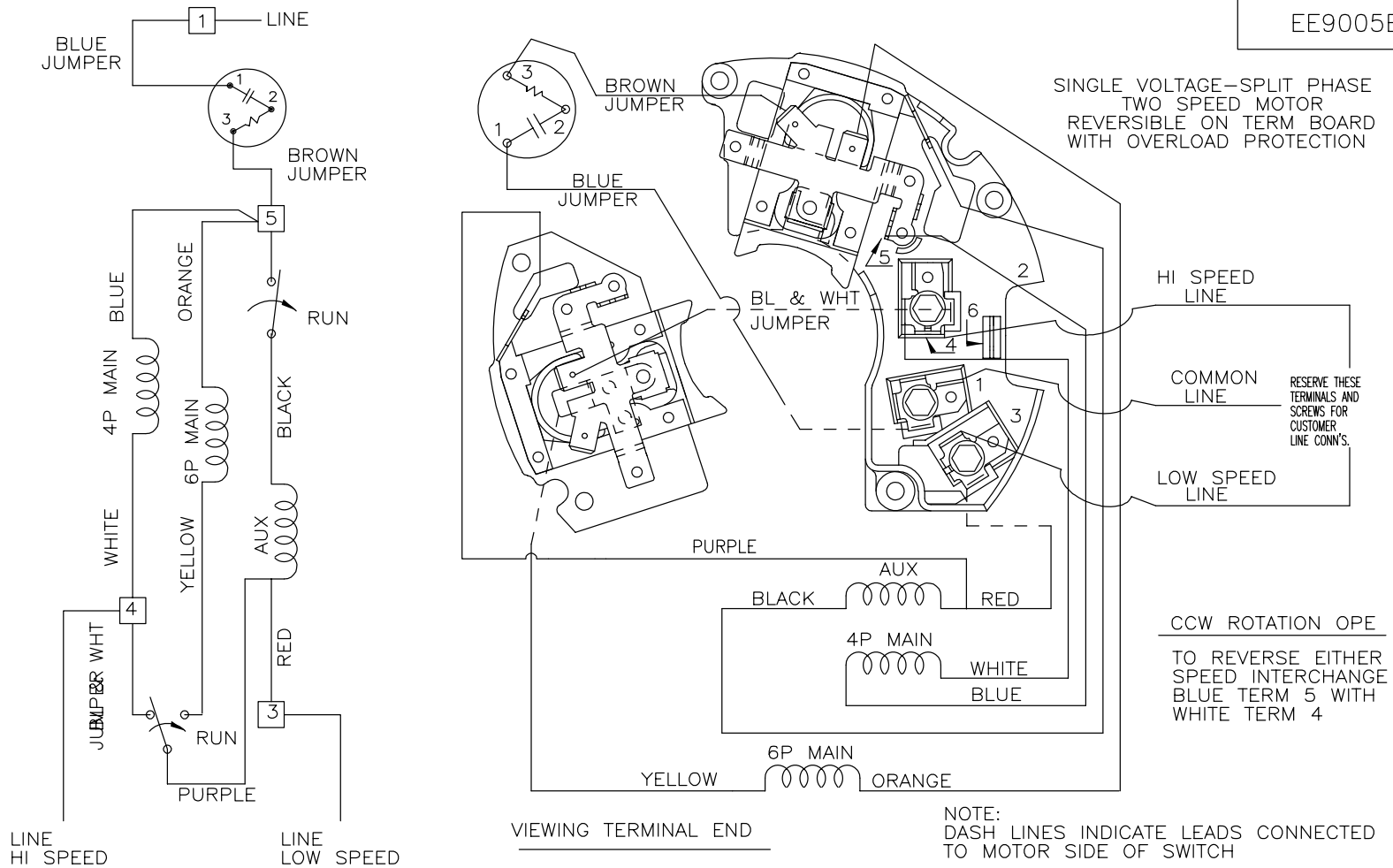
This is an uncontrolled document once printed or downloaded and is subject to change without notice. Date Created: 06/29/2018



| DASH | FRAME | C | XB | DASH | FRAME | C | XB |
|------|-------|------|------|------|-------|-------|------|
| 550 | 48 | 9.06 | 5.69 | 625 | 48 | 9.81 | 6.44 |
| 575 | 48 | 9.31 | 5.94 | 650 | 48 | 10.06 | 6.69 |
| 600 | 48 | 9.56 | 6.19 | 675 | 48 | 10.31 | 6.94 |

| | | | | | | | | | | | | |
|--|----------|-----------|-----|-----------------------------|------------|---|---------------------|------|-------------|------|----|------|
| | | | | TOLERANCES UNLESS SPECIFIED | |  | DRAWN NB 07-11-2007 | | | | | |
| | | | | DEC. | INCHES | | CHK VL 07-11-2007 | | | | | |
| | | | | .X | ±.1 | | APPD VL 07-11-2007 | | | | | |
| | | | | .XX | ±.03 | | SCALE 3=8 | | | | | |
| | | | | .XXX | ±.005 | | REF SS400184 | | | | | |
| | | | | .XXXX | ±.0005 | FMF CN41440 | | | | | | |
| NO. | REVISION | BY & DATE | CHK | ANG | ±7'30" | MAT'L. | FINISH | PREV | | | | |
| THIS DRAWING IN DESIGN AND DETAIL IS OUR PROPERTY AND MUST NOT BE USED EXCEPT IN CONNECTION WITH OUR WORK ALL RIGHTS OF DESIGN AND INVENTION ARE RESERVED THIS IS AN ELECTRONICALLY GENERATED DOCUMENT - DO NOT SCALE THIS PRINT | | | | RFP | 07-11-2007 | CAD FILE | ss403623 | SIZE | DRAWING NO. | PAGE | OF | REV. |
| | | | | DIST | WP | | | A | SS403623 | | | |

EE9005B



| NO. | REVISION | BY & DATE | CHK | ANG | TOLERANCES UNLESS SPECIFIED | | MARATHON ELECTRIC | DRAWN RM 12-03-1990 |
|--|-------------------------|-------------|------|----------|-----------------------------|--------|-------------------|---------------------|
| | | | | | DEC. | INCHES | | |
| 3 | UPDATED PER ECR-0036111 | UD 12-19-13 | BV | .XX | ±.03 | | TITLE | CONNECTION DIAGRAM |
| 2 | RE-ISSUED CN 6381 | RM 12-03-90 | | .XXX | ±.005 | | | 48 FR. TWO SPEED |
| 1 | NEW DRAWING | RM 11-20-90 | | .XXXX | ±.0005 | | MAT'L. | |
| | | | | | ±1/2' | | FINISH | |
| THIS DRAWING IN DESIGN AND DETAIL IS OUR PROPERTY AND MUST NOT BE USED EXCEPT IN CONNECTION WITH OUR WORK ALL RIGHTS OF DESIGN AND INVENTION ARE RESERVED THIS IS AN ELECTRONICALLY GENERATED DOCUMENT - DO NOT SCALE THIS PRINT | | | RFP | CAD FILE | EE9005B | SIZE | DRAWING NO. | REV. |
| | | | DIST | | | A | EE9005B | 03 |