

PRODUCT INFORMATION PACKET

marathon[®]
Motors

Model No: 048S17D7204
Catalog No: D180
1/4,1725,DP,48Y,1/60/115
Self Cooled



Regal and Marathon are trademarks of Regal Beloit Corporation or one of its affiliated companies.
©2019 Regal Beloit Corporation, All Rights Reserved. MC017097E

REGAL[®]



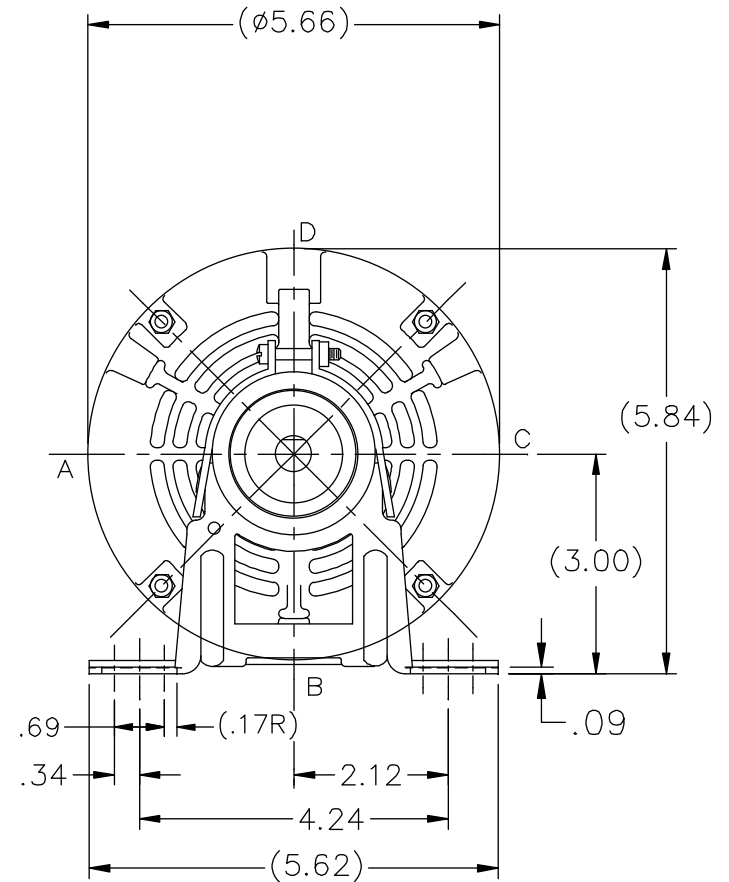
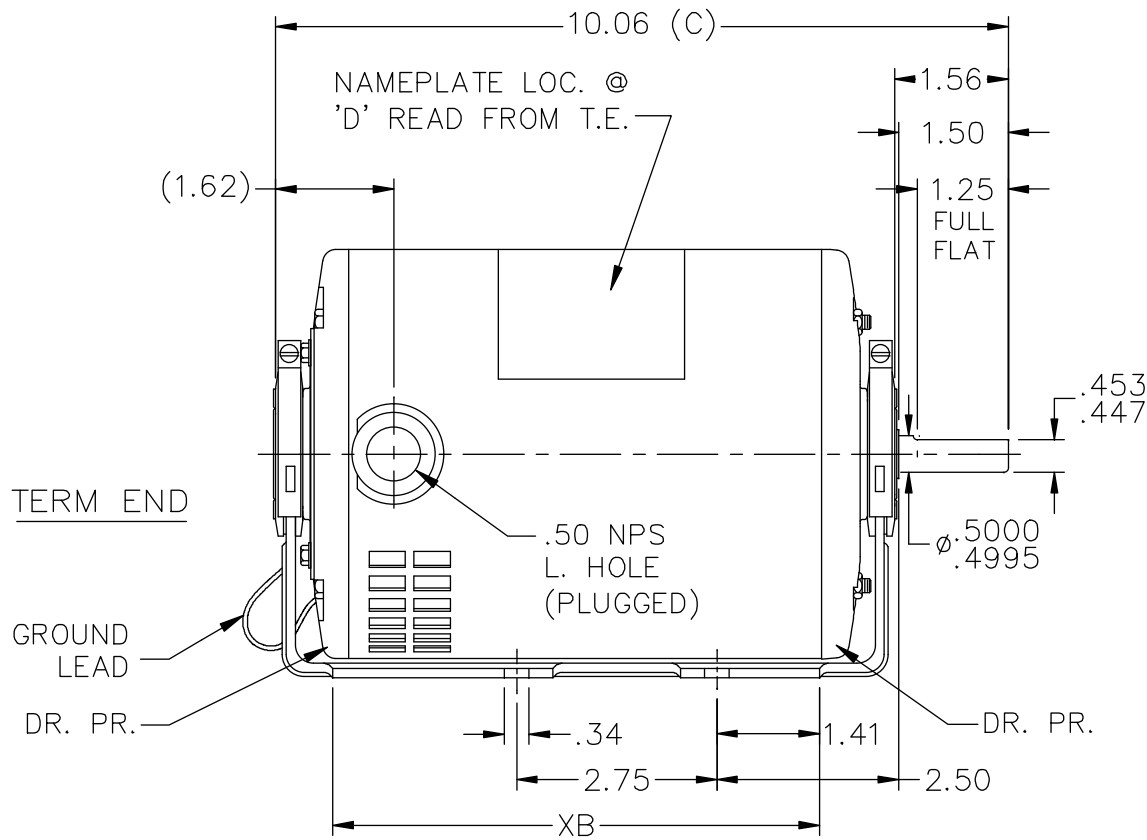
Nameplate Specifications

Output HP	0.25,0.08 Hp	Output KW	0.19 kW
Frequency	60 Hz	Voltage	115 V
Current	4.1,2.5 A	Speed	1725,1140 rpm
Service Factor	1.35	Phase	1
Efficiency	59.3 %	Duty	Continuous
Insulation Class	B	Design Code	2VT
KVA Code	R	Frame	48Y
Enclosure	Drip Proof	Overload Protector	Automatic
Ambient Temperature	40 °C	Drive End Bearing Size	6203
Opp Drive End Bearing Size	6203	UL	Recognized
CSA	Y	CE	N
IP Code	22		

Technical Specifications

Electrical Type	Split Phase	Starting Method	Across The Line
Poles	4//6	Rotation	Selective Counterclockwise
Mounting	Resilient Base	Motor Orientation	Horizontal
Drive End Bearing	Ball	Opp Drive End Bearing	Ball
Frame Material	Rolled Steel	Shaft Type	Single Special Extension
Overall Length	10.06 in	Shaft Diameter	0.500 in
Shaft Extension	1.5 in	Assembly/Box Mounting	F1 Only
Outline Drawing	A-SS403686-650	Connection Diagram	A-EE9005B

This is an uncontrolled document once printed or downloaded and is subject to change without notice. Date Created: 02/12/2019



DASH	FRAME	C	XB	DASH	FRAME	C	XB
550	48	9.06	5.69	625	48	9.81	6.44
575	48	9.31	5.94	650	48	10.06	6.69
600	48	9.56	6.19	675	48	10.31	6.94

NO.	REVISION	BY & DATE	CHK	ANG	TOLERANCES UNLESS SPECIFIED	
					DEC.	INCHES
					.X	±.1
					.XX	±.03
					.XXX	±.005
					.XXXX	±.0005
					ANG	±7'30"



TITLE OUTLINE

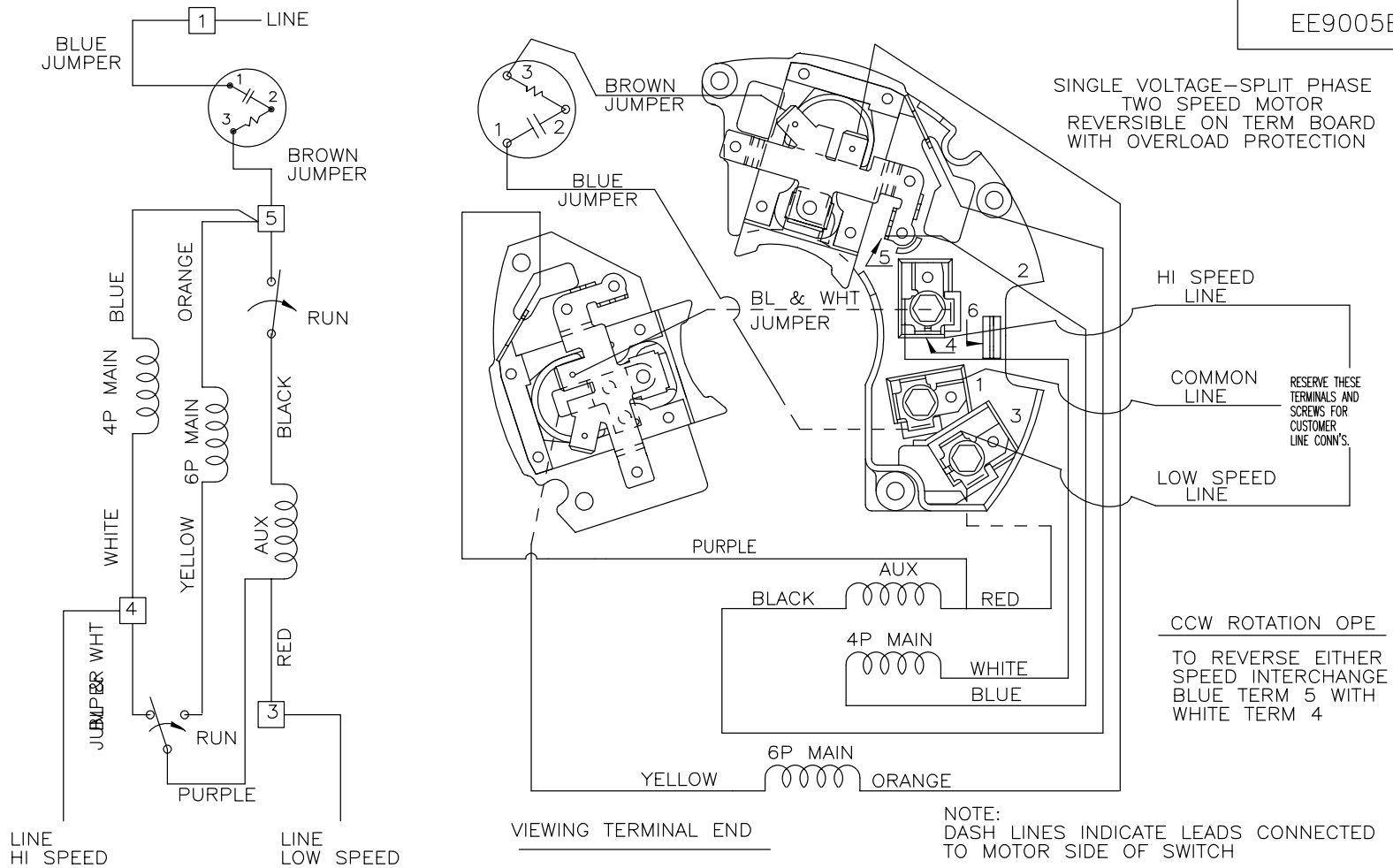
MAT'L.

FINISH

DRAWN	SP 02-05-2008
CHK	NB 02-05-2008
APPD	NB 02-05-2008
SCALE	3=8
REF	SS75550
FMF	CN 41440
PREV	

THIS DRAWING IN DESIGN AND DETAIL IS OUR PROPERTY AND MUST NOT BE USED EXCEPT IN CONNECTION WITH OUR WORK ALL RIGHTS OF DESIGN AND INVENTION ARE RESERVED THIS IS AN ELECTRONICALLY GENERATED DOCUMENT - DO NOT SCALE THIS PRINT				RFP 02-05-2008	CAD FILE SS403686	SIZE A	DRAWING NO. SS403686	PAGE OF	REV.
				DIST WP					

EE9005B



NO.	REVISION	BY & DATE	CHK	ANG	TOLERANCES UNLESS SPECIFIED		MARATHON ELECTRIC	DRAWN RM 12-03-1990	
					DEC.	INCHES			
3	UPDATED PER ECR-0036111	UD 12-19-13	BV	.XX	±.03			CHK ML 12-03-1990	
2	RE-ISSUED CN 6381	RM 12-03-90		.XXX	±.005		TITLE CONNECTION DIAGRAM 48 FR. TWO SPEED	APPD GK 12-03-1990	
1	NEW DRAWING	RM 11-20-90		.XXXX	±.0005		SCALE 3=8	REF	
					±1/2'		MAT'L.	FMF	
							FINISH	PREV	
THIS DRAWING IN DESIGN AND DETAIL IS OUR PROPERTY AND MUST NOT BE USED EXCEPT IN CONNECTION WITH OUR WORK ALL RIGHTS OF DESIGN AND INVENTION ARE RESERVED THIS IS AN ELECTRONICALLY GENERATED DOCUMENT - DO NOT SCALE THIS PRINT				RFP	CAD FILE	EE9005B	SIZE A	DRAWING NO. EE9005B	REV. 03
				DIST					

CERTIFICATION DATA SHEET

Model#: 48S17D7204 G WINDING#: SE48(4-6)8 NONE 1
 CONN. DIAGRAM: A-EE9005B ASSEMBLY: F1 ONLY
 OUTLINE: A-SS403686-650

TYPICAL MOTOR PERFORMANCE DATA

HP	KW	SYNC. RPM	F.L. RPM	FRAME	ENCLOSURE	KVA CODE	DESIGN		
1/4&1/12	0.19&.06	1200	1725&1140	48Y	DP	R	2VT		
PH	Hz	VOLTS	FL AMPS	START TYPE	DUTY	INSL	S.F	AMB°C	ELEVATION
1	60/60	115#115	4.1&2.5	ACROSS THE LINE	CONTINUOUS	B3	1.35/1.35	40	3300
FULL LOAD EFF: -		3/4 LOAD EFF: -	1/2 LOAD EFF: -	GTD. EFF		ELEC. TYPE	NO LOAD AMPS		
FULL LOAD PF: -		3/4 LOAD PF: -	1/2 LOAD PF: -	0		SPLIT PHASE	2.2		
F.L. TORQUE		LOCKED ROTOR AMPS		L.R. TORQUE		B.D. TORQUE		F.L. RISE°C	
6.1 LB-FT		30.1		14.9 LB-FT -		26.6 LB-FT -		-	
SOUND PRESSURE @ 3 FT.	SOUND POWER	ROTOR WK^2	MAX. WK^2	SAFE STALL TIME	STARTS /HOUR	APPROX. MOTOR WGT			
- dBA	- dBA	0 LB-FT^2	- LB-FT^2	- SEC.	-	0 LBS.			

*** SUPPLEMENTAL INFORMATION ***

DE BRACKET TYPE	ODE BRACKET TYPE	MOUNT TYPE	ORIENTATION	SEVERE DUTY	HAZARDOUS LOCATION	DRIP COVER	SCREENS	PAINT
STANDARD	STANDARD	RESILIENT BASE	HORIZONTAL	FALSE	NONE	FALSE	NONE	GRAY (POWDER)
BEARINGS		GREASE	SHAFT TYPE	SPECIAL DE	SPECIAL ODE	SHAFT MATERIAL	FRAME MATERIAL	
DE	OPE	POLYREX EM	SGL SPL EXT	0.500 x 1.50 IN SEF WITH 1.25 IN FULL FLAT	NONE	1144 STRESSPROOF (C-223)	ROLLED STEEL	
BALL	BALL							
6203	6203							
THERMO-PROTECTORS				THERMISTORS	CONTROL	SPACE /n HEATERS		
THERMOSTATS	PROTECTORS	WDG RTDs	BRG RTDs	NONE	FALSE	NONE VOLTS		
NONE	AUTOMATIC	NONE	NONE					

If Inverter equals NONE, contact factory for further information

*
N
O
T
E
S
*

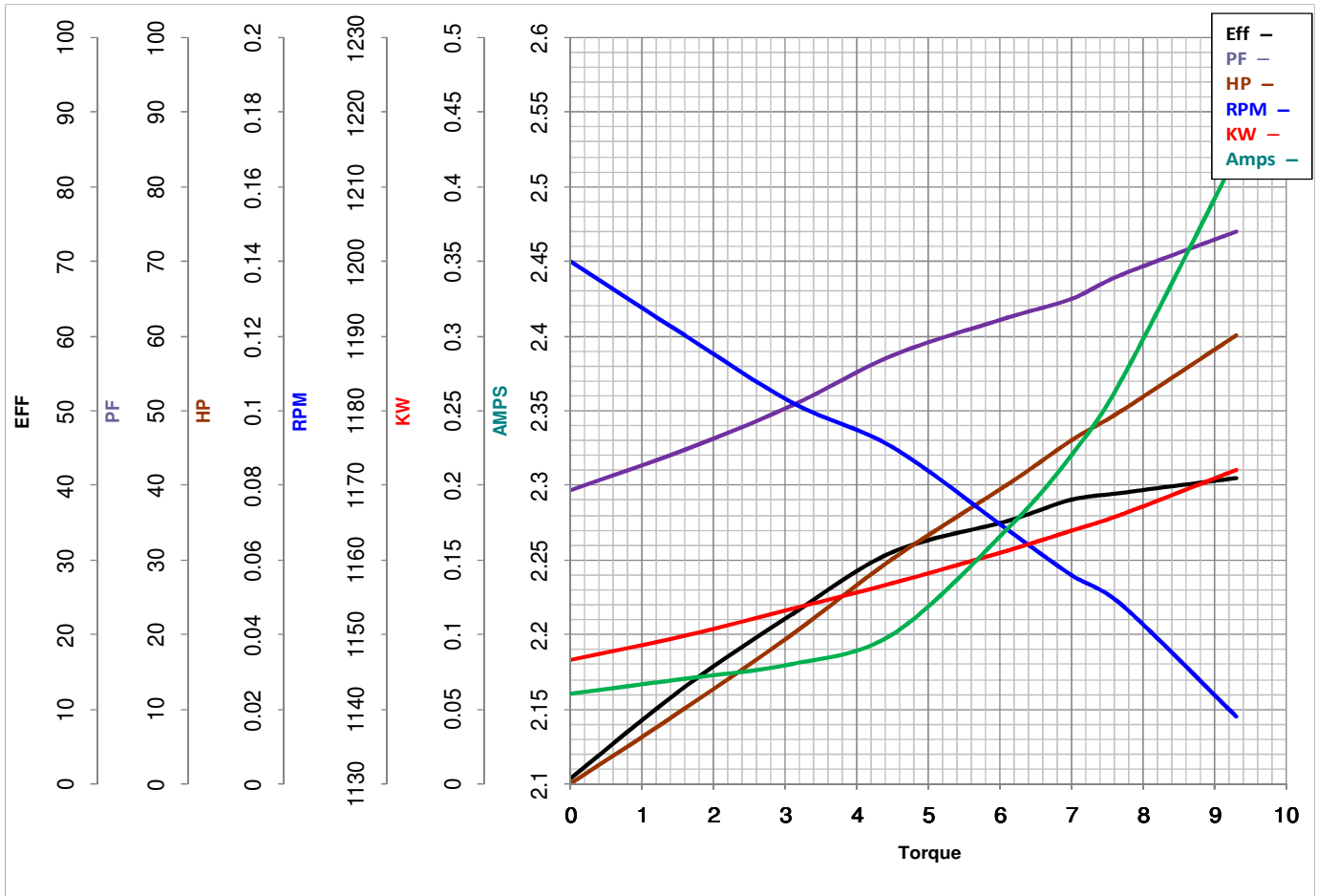
INVERTER TORQUE: NONE
INV. HP SPEED RANGE: NONE
ENCODER: NONE
NONE NONE
NONE NONE PPR
BRAKE: NONE NONE
NONE P/N NONE
NONE NONE
NONE FT-LB NONE V NONE Hz

DATE: 06/29/2017 01:23:30 AM
 FORM 3531 REV.3 02/07/99
 ** Subject to change without notice.



MARATHON ELECTRIC CORPORATION
TYPICAL PERFORMANCE CURVE for AC MOTOR

Customer _____ Curve at 115 Volts HP 0.25&0.08 PHASE 1
60 HZ
 Model No 48S17D7204 0.08 HP VOLTS 115&115
 Catalog No D180 HZ 60&60 RPM 1725&1140



			Torque in Oz.Ft		
FL TORQUE	<u>6.1</u>	Oz.Ft	FL AMPS	<u>4.1</u>	
BD TORQUE	<u>26.6</u>	Oz.Ft	PU TORQUE	<u>14.6</u>	Oz.Ft
LR TORQUE	<u>14.9</u>	Oz.Ft	LR AMPS	<u>30.1</u>	
WINDING	SE48(4-6)8-1		Date	1/8/2019	