

PRODUCT INFORMATION PACKET

marathon[®]
Motors

Model No: 048S17D2116
Catalog No: B606
1/4,1725,DP,48Z,1/60/277
Fan and Blower



Regal and Marathon are trademarks of Regal Beloit Corporation or one of its affiliated companies.
©2018 Regal Beloit Corporation, All Rights Reserved. MC017097E

REGAL[®]



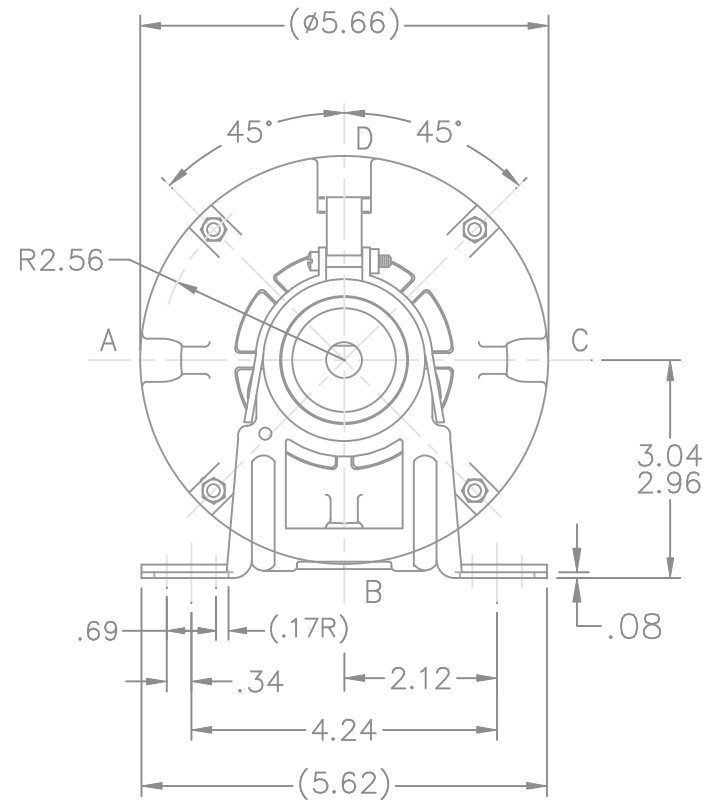
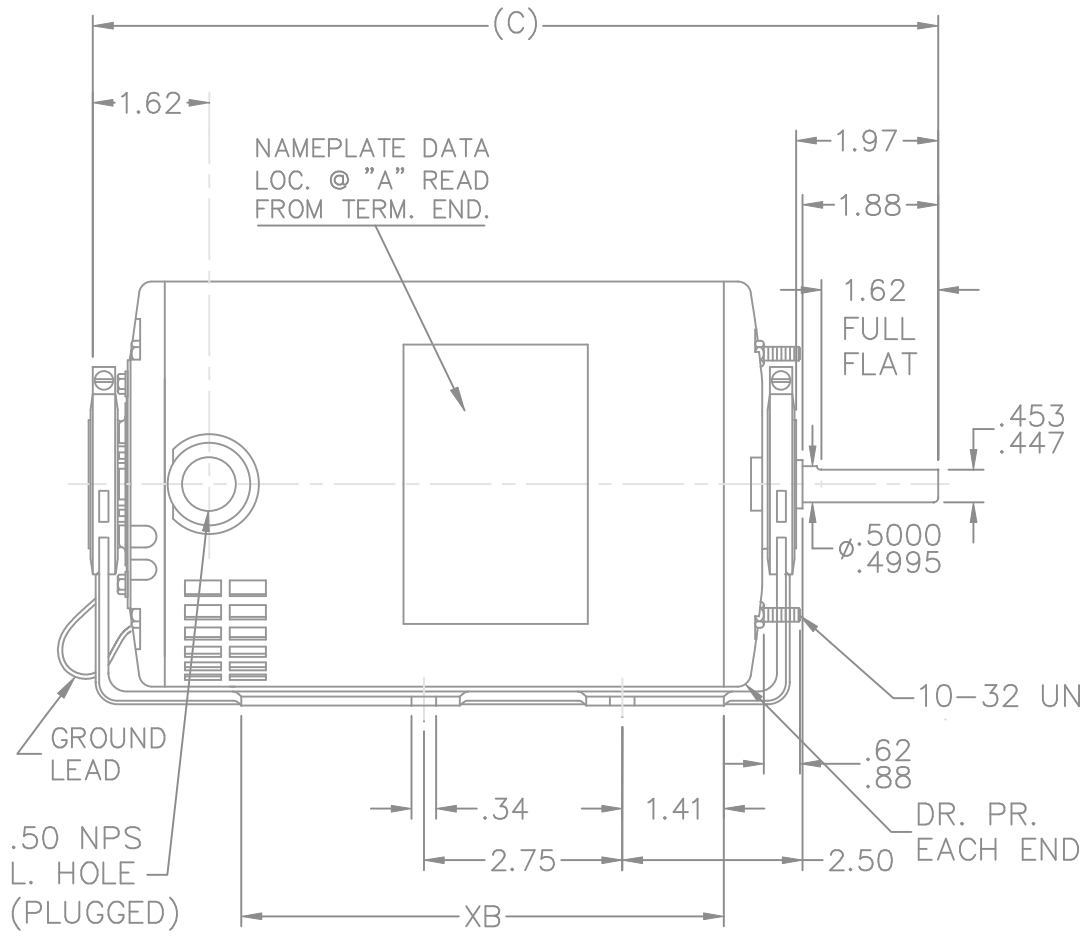
Nameplate Specifications

Output HP	0.25 Hp	Output KW	0.19 kW
Frequency	60 Hz	Voltage	277 V
Current	2.1 A	Speed	1725 rpm
Service Factor	1.35	Phase	1
Efficiency	59.5 %	Duty	Continuous
Insulation Class	B	Design Code	NO DESIGN CODE
KVA Code	P	Frame	48Z
Enclosure	Drip Proof	Overload Protector	No
Ambient Temperature	40 °C	Drive End Bearing Size	6203
Opp Drive End Bearing Size	6203	UL	Recognized
CSA	Y	CE	N
IP Code	22		

Technical Specifications

Electrical Type	Split Phase	Starting Method	Across The Line
Poles	4	Rotation	Selective Counterclockwise
Mounting	Resilient Base - Extended Studs	Motor Orientation	Horizontal
Drive End Bearing	Ball	Opp Drive End Bearing	Ball
Frame Material	Rolled Steel	Shaft Type	Single Special Extension
Overall Length	9.47 in	Frame Length	5.50 in
Shaft Diameter	0.500 in	Shaft Extension	1.97 in
Assembly/Box Mounting	F1 Only		
Outline Drawing	A-SS75570-550	Connection Diagram	A-EE7195AS

This is an uncontrolled document once printed or downloaded and is subject to change without notice. Date Created: 06/29/2018

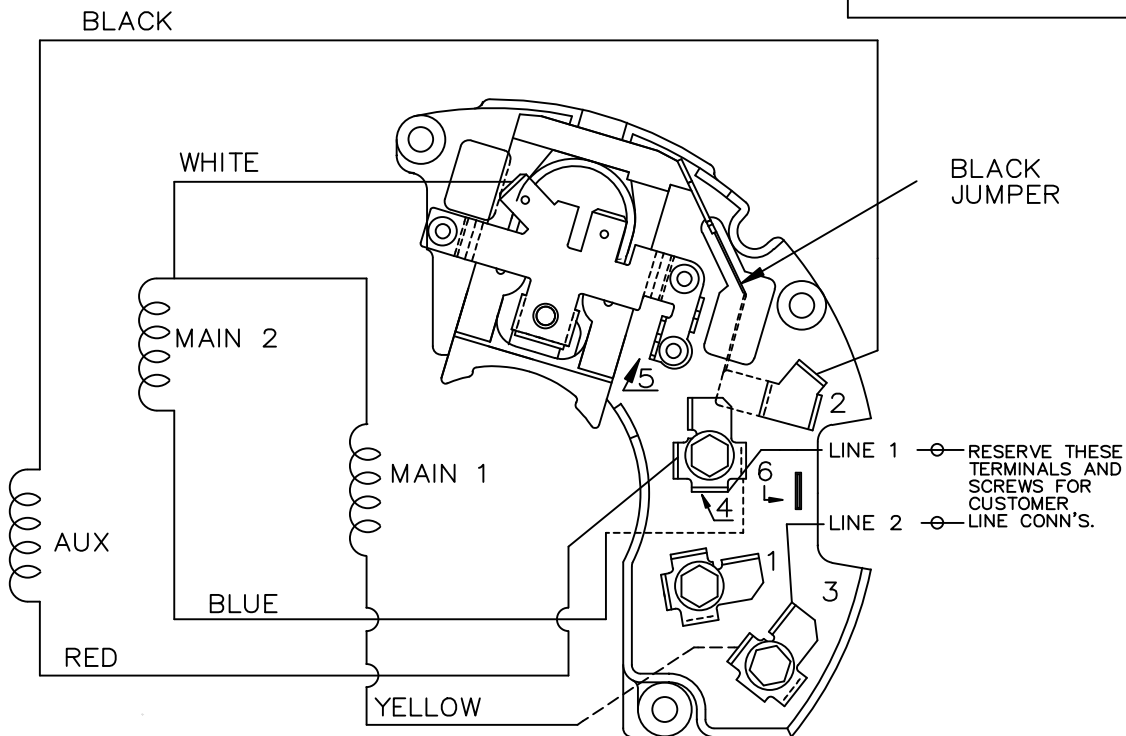


TERM. END

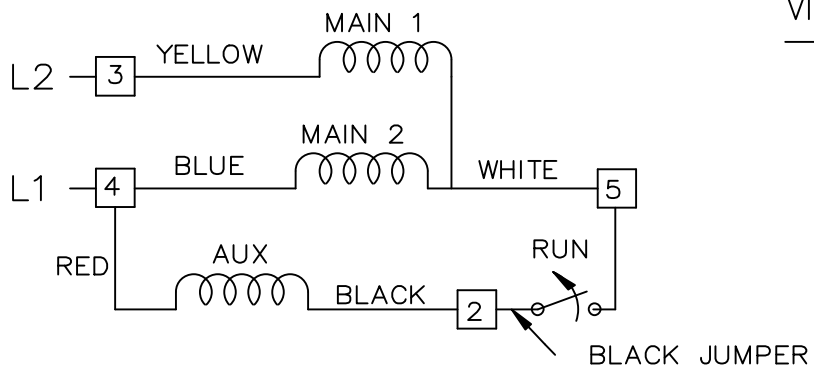
DASH	FRAME	XB	C	DASH	FRAME	XB	C
550	48	5.69	9.47	650	48	6.69	10.47
575	48	5.94	9.72				
625	48	6.44	10.22				

				TOLERANCES UNLESS SPECIFIED		MARATHON ELECTRIC	DRAWN RM 05-26-1992				
				DEC.	INCHES		CHK ML 05-26-1992				
				.X	±.1	TITLE OUTLINE	APPD GK 05-26-1992				
3	UPDATED DRAWING		TJW 04/20/2007	.XX	±.03		SCALE 3=8				
2	REDRAWN IN AUTOCAD		TAT 08-03-2004	ML	.XXX	±.005	REF				
1	NEW DRAWING		3917460 RM 05-28-1992		.XXXX	±.0005	FMF				
NO.	REVISION		BY & DATE	CHK	ANG	±'30"	PREV				
THIS DRAWING IN DESIGN AND DETAIL IS OUR PROPERTY AND MUST NOT BE USED EXCEPT IN CONNECTION WITH OUR WORK ALL RIGHTS OF DESIGN AND INVENTION ARE RESERVED THIS IS AN ELECTRONICALLY GENERATED DOCUMENT - DO NOT SCALE THIS PRINT				RFP	CAD FILE ss75570		SIZE A	DRAWING NO. SS75570	PAGE	OF	REV. 3
				DIST	WP						

10/2/2008 1:08:48 PM




SINGLE HIGH VOLTAGE CAPACITOR START
REVERSIBLE ON TERM BOARD
NO OVERLOAD PROTECTION



VIEWING TERM END

CCW ROTATION SHOWN
TO REVERSE ROTATION INTERCHANGE
RED LEAD WITH BLACK LEAD

				TOLERANCES UNLESS SPECIFIED		 REGAL-BELOIT CORPORATION	DRAWN TJW 6/28/2010			
				DEC.	INCHES		CHK CTO 6/28/2010			
				.X	± -		APPD EH 6/28/2010			
				.XX	± -		SCALE			
				.XXX	± -		REF			
				.XXXX	± -	FMF ISAAC10-2159				
NO.	REVISION	BY & DATE	CHK	ANG	± -	FINISH	PREV			
THIS DRAWING IN DESIGN AND DETAIL IS OUR PROPERTY AND MUST NOT BE USED EXCEPT IN CONNECTION WITH OUR WORK ALL RIGHTS OF DESIGN AND INVENTION ARE RESERVED THIS IS AN ELECTRONICALLY GENERATED DOCUMENT - DO NOT SCALE THIS PRINT				RFP	6/28/2010	CAD FILE EE7195AS	SIZE A	DRAWING NO. EE7195AS	PAGE OF	REV.
				DIST						

CERTIFICATION DATA SHEET

Model#: 48S17D2116 H WINDING#: SE48459 NONE 5
CONN. DIAGRAM: A-EE7195AS ASSEMBLY: F1 ONLY
OUTLINE: A-SS75570-550

TYPICAL MOTOR PERFORMANCE DATA

Table with 8 columns: HP, KW, SYNC. RPM, F.L. RPM, FRAME, ENCLOSURE, KVA CODE, DESIGN. Row 1: 1/4, 0.19, 1800, 1725, 48Z, DP, P, NO DESIGN CODE

Table with 10 columns: PH, Hz, VOLTS, FL AMPS, START TYPE, DUTY, INSL, S.F, AMB°C, ELEVATION. Row 1: 1, 60, 277, 2.1, ACROSS THE LINE, CONTINUOUS, B3, 1.35, 40, 3300

Table with 6 columns: FULL LOAD EFF, 3/4 LOAD EFF, 1/2 LOAD EFF, GTD. EFF, ELEC. TYPE, NO LOAD AMPS. Row 1: 59.5, 56.7, 48.3, 0, SPLIT PHASE, 1.6

Table with 5 columns: F.L. TORQUE, LOCKED ROTOR AMPS, L.R. TORQUE, B.D. TORQUE, F.L. RISE°C. Row 1: 12.1 LB-FT, 11, 17.3 LB-FT, 27.5 LB-FT, 40

Table with 6 columns: SOUND PRESSURE @ 3 FT., SOUND POWER, ROTOR WK^2, MAX. WK^2, SAFE STALL TIME, STARTS /HOUR, APPROX. MOTOR WGT. Row 1: 0 dBA, 10 dBA, - LB-FT^2, 0 LB-FT^2, 0 SEC., 0, - LBS.

*** SUPPLEMENTAL INFORMATION ***

Table with 9 columns: DE BRACKET TYPE, ODE BRACKET TYPE, MOUNT TYPE, ORIENTATION, SEVERE DUTY, HAZARDOUS LOCATION, DRIP COVER, SCREENS, PAINT. Row 1: STANDARD, STANDARD, RESILIENT BASE-EXTENDED STUDS, HORIZONTAL, FALSE, NONE, FALSE, NONE, GRAY (POWDER)

Table with 8 columns: BEARINGS (DE, OPE), GREASE, SHAFT TYPE, SPECIAL DE, SPECIAL ODE, SHAFT MATERIAL, FRAME MATERIAL. Row 1: BALL, BALL, MULTEMP SRL, SGL SPL EXT, 0.500 x 1.88 IN SEF WITH 1.62 IN FULL FLAT, NONE, 1144 STRESSPROOF (C-223), ROLLED STEEL

Table with 7 columns: THERMO-PROTECTORS (THERMOSTATS, PROTECTORS, WDG RTDs, BRG RTDs), THERMISTORS, CONTROL, SPACE /n HEATERS. Row 1: NONE, NOT, NONE, NONE, NONE, FALSE, NONE VOLTS

If Inverter equals NONE, contact factory for further information

Table with 4 rows: INVERTER TORQUE: NONE, INV. HP SPEED RANGE: NONE, ENCODER: NONE, BRAKE: NONE, NONE FT-LB, NONE V, NONE Hz

*
N
O
T
E
S
*

Uncontrolled Copy

** Subject to change without notice.