

PRODUCT INFORMATION PACKET

marathon[®]
Motors

Model No: 048S17D2055
Catalog No: B303
1/4,1725,DP,48Y,1/60/115
Fan and Blower



Regal and Marathon are trademarks of Regal Beloit Corporation or one of its affiliated companies.

©2018 Regal Beloit Corporation, All Rights Reserved. MC017097E

REGAL

Product Information Packet: Model No: 048S17D2055, Catalog No:B303 1/4,1725,DP,48Y,1/60/115

Nameplate Specifications

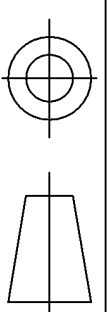
Output HP	0.25 Hp	Output KW	0.19 kW
Frequency	60 Hz	Voltage	115 V
Current	5.0 A	Speed	1725 rpm
Service Factor	1.35	Phase	1
Efficiency	58 %	Duty	Continuous
Insulation Class	B	Design Code	NO DESIGN CODE
KVA Code	P	Frame	48Y
Enclosure	Drip Proof	Overload Protector	Automatic
Ambient Temperature	40 °C	Drive End Bearing Size	6203
Opp Drive End Bearing Size	6203	UL	Recognized
CSA	Y	CE	N
IP Code	22		

Technical Specifications

Electrical Type	Split Phase	Starting Method	Across The Line
Poles	4	Rotation	Selective Counterclockwise
Mounting	Resilient Base - Extended Studs	Motor Orientation	Horizontal
Drive End Bearing	Ball	Opp Drive End Bearing	Ball
Frame Material	Rolled Steel	Shaft Type	Single Special Extension
Overall Length	9.57 in	Shaft Diameter	0.500 in
Shaft Extension	1.87 in	Assembly/Box Mounting	F1 Only
Outline Drawing	52A111268P1	Connection Diagram	52A105379AA

This is an uncontrolled document once printed or downloaded and is subject to change without notice. Date Created: 10/08/2018

THIRD ANGLE PROJECTION

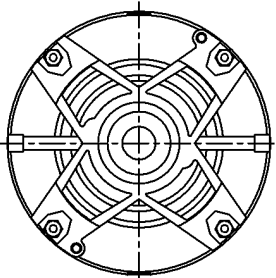
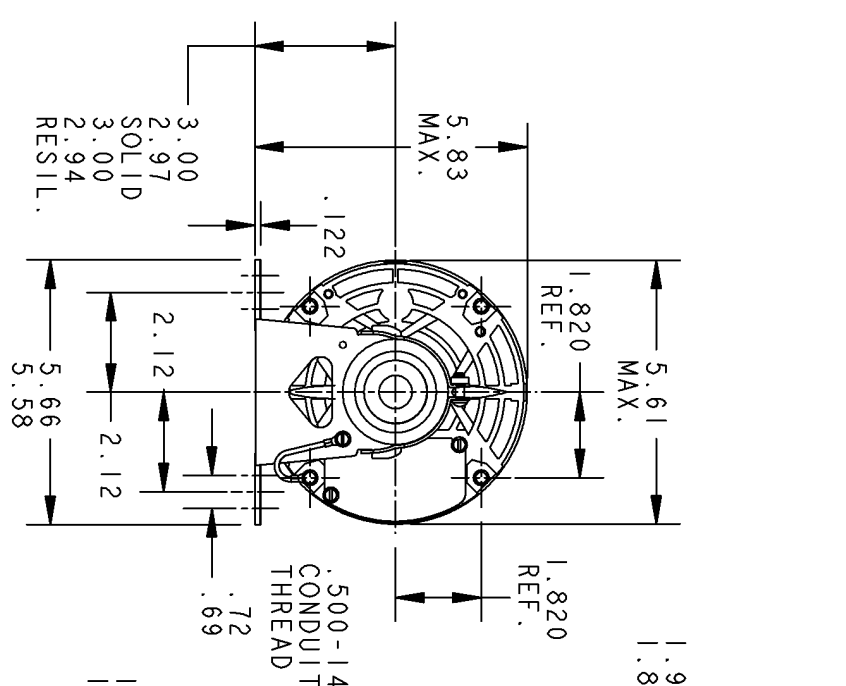


REVISIONS

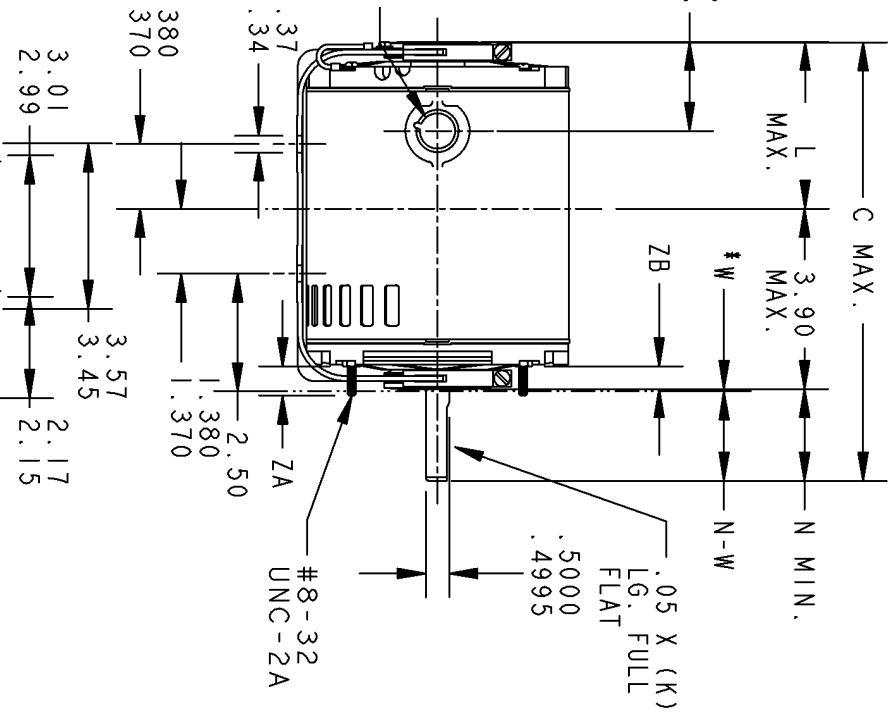
REV.	DESCRIPTION	DATE	APPROVED
4	UPDATED FORMAT	10/05/05	MAM

52A111268 4

SIZE A DRAWING NO.



VIEW SHOWING P.E. VENTILATION OPENINGS



W* IS A CLEARANCE DUE TO VARIATION IN PARTS AND ASSEMBLY

I	KH	33	48Y	9.57	1.62	3.84	1.88	2.01/1.79	.55/.52	.76
P	TYPE	GE SIZE	NEMA FR	C	K	L	N	N-W	ZB	ZA

SIGNATURES

MODEL	DATE
DURGA	12/15/04
DETAIL	
CHECKED	
ENGRG	
MFG	

REGAL-BELOIT CORPORATION

TITLE

FORM N - GENERAL PURPOSE MOTOR - DRIP PROOF

RESIL. BASE - BALL BEARING

FOR ADDITIONAL INFO REFER TO:

APPLIED PRACTICES	QUALITY
DIMENSIONS ARE IN INCHES	ISSUED
	DURGA
	12/15/04

MATERIAL

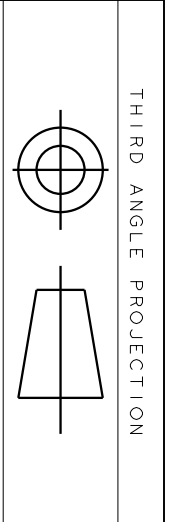
SOLID MODEL: 52A111268

SCALE: 1.000 REF. No:

SIZE: DRAWING A

52A111268 4

SHEET 1 of 1



REV.	DESCRIPTION	DATE	APPROVED
6	UPDATED FORMAT	12/01/05	MAM

EITHER ROTATION-SINGLE VOLTAGE-TYPE KC OR KH-WITH THERMAL PROTECTOR



NOTE #1 - TO REVERSE ROTATION INTERCHANGE RED (T8) AND BLACK (J9-KC OR T5-KH) LEADS.
NOTE #2 - WHEN MORE THAN ONE CAPACITOR IS USED CONNECT IN PARALLEL.

SWITCH (C) - 115D958AB REF. DIAG. - 121A851 CONN. LABEL - 52X332048

SIGNATURES	DATE
MODEL M.D. PAPE	06/29/87
DETAIL	
CHECKED	
ENGRG	
MFG	
QUALITY	
ISSUED	M.D.P. 03/08/00
SOLID MODEL: 52A105379AA	

REGAL-BELOIT CORPORATION

REGAL-BELOIT

TITLE: **CONNECTION DIAGRAM**

SIZE: DRAWING A

SCALE: 1.000 REF. No.:

REV 6