

# PRODUCT INFORMATION PACKET

**marathon**<sup>®</sup>  
Motors

Model No: 048S17D2052  
Catalog No: B300  
1/6,1725,DP,48Y,1/60/115  
Fan and Blower



Regal and Marathon are trademarks of Regal Beloit Corporation or one of its affiliated companies.

©2018 Regal Beloit Corporation, All Rights Reserved. MC017097E

**REGAL**

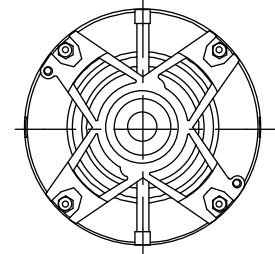
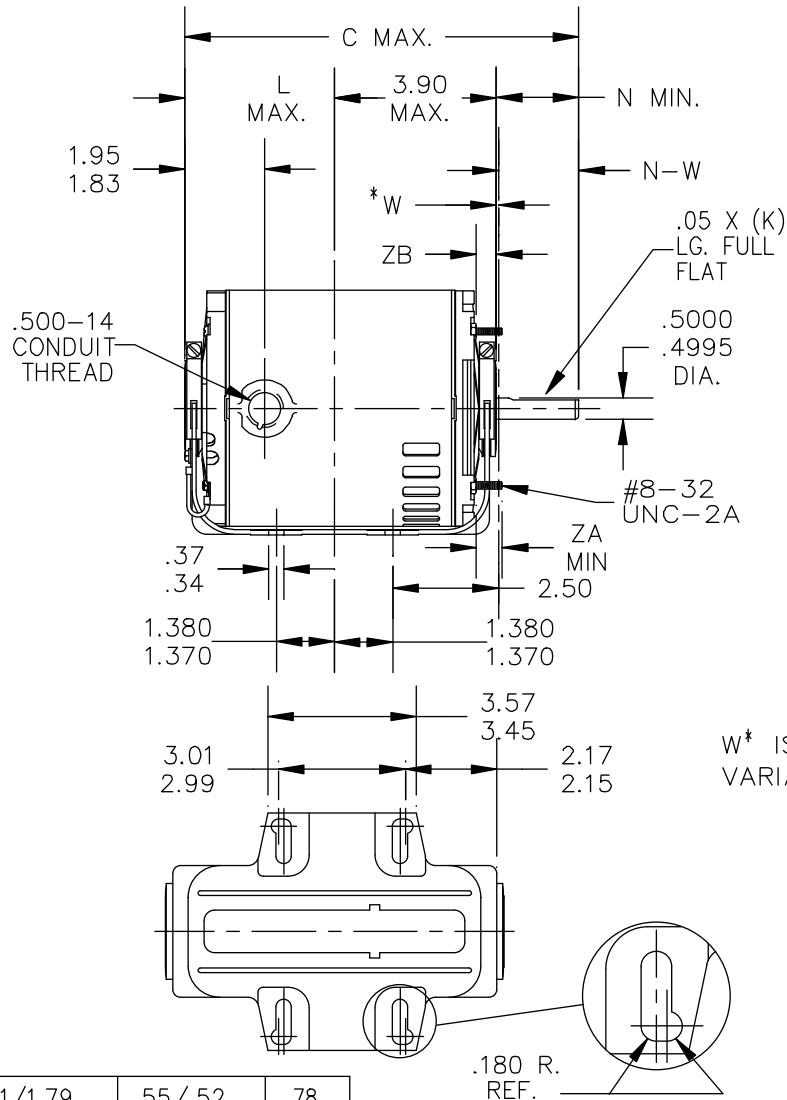
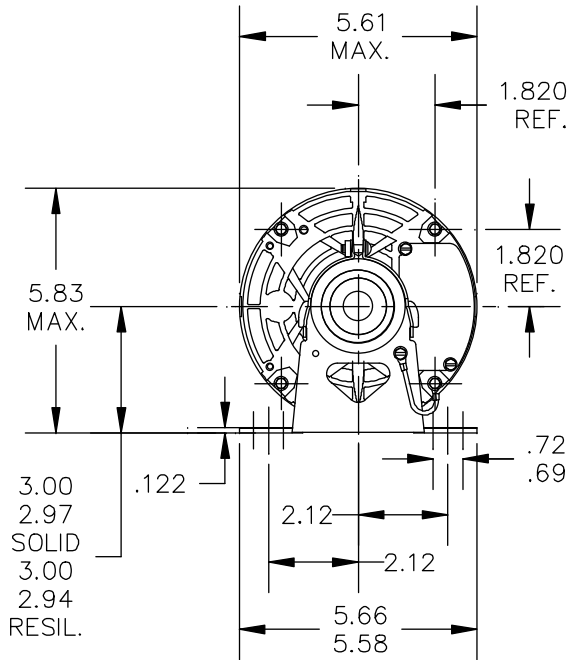
**Nameplate Specifications**

Output HP	<b>0.17 Hp</b>	Output KW	<b>0.13 kW</b>
Frequency	<b>60 Hz</b>	Voltage	<b>115 V</b>
Current	<b>3.6 A</b>	Speed	<b>1725 rpm</b>
Service Factor	<b>1.35</b>	Phase	<b>1</b>
Efficiency	<b>55 %</b>	Duty	<b>Continuous</b>
Insulation Class	<b>B</b>	Design Code	<b>NO DESIGN CODE</b>
KVA Code	<b>S</b>	Frame	<b>48Y</b>
Enclosure	<b>Drip Proof</b>	Overload Protector	<b>No</b>
Ambient Temperature	<b>40 °C</b>	Drive End Bearing Size	<b>6203</b>
Opp Drive End Bearing Size	<b>6203</b>	UL	<b>Recognized</b>
CSA	<b>Y</b>	CE	<b>N</b>
IP Code	<b>22</b>		

**Technical Specifications**

Electrical Type	<b>Split Phase</b>	Starting Method	<b>Across The Line</b>
Poles	<b>4</b>	Rotation	<b>Selective Counterclockwise</b>
Mounting	<b>Resilient Base - Extended Studs</b>	Motor Orientation	<b>Horizontal</b>
Drive End Bearing	<b>Ball</b>	Opp Drive End Bearing	<b>Ball</b>
Frame Material	<b>Rolled Steel</b>	Shaft Type	<b>Single Special Extension</b>
Overall Length	<b>9.32 in</b>	Shaft Diameter	<b>0.500 in</b>
Shaft Extension	<b>1.88 in</b>	Assembly/Box Mounting	<b>F1 Only</b>
Outline Drawing	<b>52A111273P1</b>	Connection Diagram	<b>52A105377AA</b>

**This is an uncontrolled document once printed or downloaded and is subject to change without notice. Date Created: 10/08/2018**



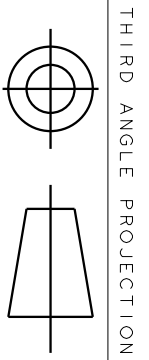
W\* IS A CLEARNCE DUE TO VARIATION IN PARTS AND ASSEMBLY.

2	KH	36	48Y	10.32	1.62	4.50	1.88	2.01/1.79	.55/.52	.78
1	KH	32	48Y	9.32	1.62	3.59	1.88	2.01/1.79	.55/.52	.78
P	TYPE	RBC SIZE	NEMA FR	C	K	L	N	N-W	ZB	ZA

				TOLERANCES UNLESS SPECIFIED		DRAWN DS 01/05/05			
				DEC.	INCHES		CHK		
5	LOGO WAS DAYTON	PVR	06/13/13	ST	.X	±0.1	APPD DS 01/05/05		
4	CHANGED 'ZA' DIMENSION PER IS12-5406	UD	11/07/12	DS	.XX	±0.02	SCALE 1=1		
3	UPDATED AS PER IS05-2299	PKG	09/14/05		.XXX	±0.005	REF		
2	CHG MADE PER IS05-1477	PKG	06/29/05		.XXXX	±0.0005	FMF		
NO.	REVISION	BY & DATE	CHK	ANG	±7'30"	FINISH	PREV		
THIS DRAWING IN DESIGN AND DETAIL IS OUR PROPERTY AND MUST NOT BE USED EXCEPT IN CONNECTION WITH OUR WORK ALL RIGHTS OF DESIGN AND INVENTION ARE RESERVED THIS IS AN ELECTRONICALLY GENERATED DOCUMENT - DO NOT SCALE THIS PRINT				RFP	CAD FILE	52A111273	SIZE A	DRAWING NO. 52A111273	REV. 5
				DIST					



TITLE OUTLINE  
DRIP PROOF- RESIL. BASE - BALL

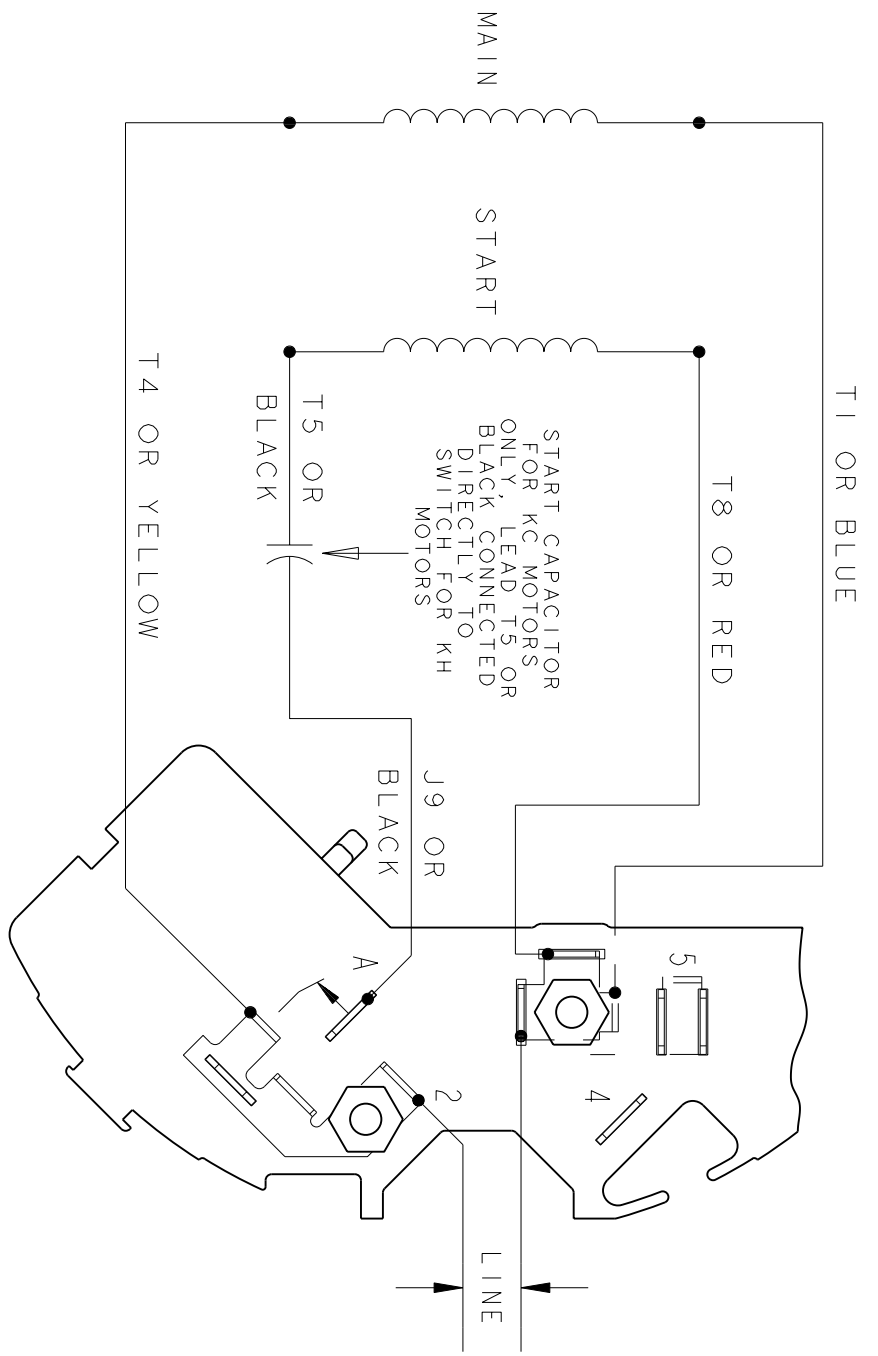


THIRD ANGLE PROJECTION

REVISIONS

REV.	DESCRIPTION	DATE	APPROVED
1	UPDATED FORMAT	11/10/05	MAM

EITHER ROTATION - SINGLE VOLTAGE  
TYPE KC, OR KH



NOTE #1 - TO REVERSE ROTATION INTERCHANGE BLACK (T5-KH OR J9-KC) AND RED (T8) LEADS.

NOTE #2 - WHEN MORE THAN ONE CAPACITOR IS USED CONNECT IN PARALLEL.

FOR ADDITIONAL INFO REFER TO:	
APPLIED PRACTICES	ISSUED
DIMENSIONS ARE IN INCHES	M.D.P.
MATERIAL	SOLID MODEL: 52A105377AA
REF. DIAG. - 121A850	DATE
SIGNATURES	M.D. PAPE
MODEL	06/29/87
DETAIL	
CHECKED	
ENGRG	
MFG	
QUALITY	
ISSUED	M.D.P.
	06/29/87

SWITCH (C) - 115D958AB

CONNECTION LABEL - 52X332047

**REGAL-BELOLT CORPORATION**

TITLE: **CONNECTION DIAGRAM**

SIZE: DRAWING A

**FME: 30 FRAME SWITCH REDESIGN**

SCALE: 1.000 REF. No.:

52A105377AA

REV 1

CERTIFICATION DATA SHEET

Model#: 48S17D2052 M WINDING#: 52X331756P1 NONE 0
CONN. DIAGRAM: 52A105377AA ASSEMBLY: F1 ONLY
OUTLINE: 52A111273P1

TYPICAL MOTOR PERFORMANCE DATA

Table with 8 columns: HP, KW, SYNC. RPM, F.L. RPM, FRAME, ENCLOSURE, KVA CODE, DESIGN. Values include 1/6, 0.13, 1800, 1725, 48Y, DP, S, NO DESIGN CODE.

Table with 10 columns: PH, Hz, VOLTS, FL AMPS, START TYPE, DUTY, INSL, S.F, AMB°C, ELEVATION. Values include 1, 60, 115, 3.6, ACROSS THE LINE, CONTINUOUS, B3, 1.35, 40, 3300.

Table with 7 columns: FULL LOAD EFF: 55, 3/4 LOAD EFF: 50.2, 1/2 LOAD EFF: 41.7, GTD. EFF, ELEC. TYPE, NO LOAD AMPS. Values include 32.1, 27.9, 23.4, 74, SPLIT PHASE, -.

Table with 5 columns: F.L. TORQUE, LOCKED ROTOR AMPS, L.R. TORQUE, B.D. TORQUE, F.L. RISE°C. Values include 8.19 LB-FT, 23.3, 17.72 LB-FT 217, 22.65 LB-FT 277, 0.

Table with 7 columns: SOUND PRESSURE @ 3 FT., SOUND POWER, ROTOR WK^2, MAX. WK^2, SAFE STALL TIME, STARTS /HOUR, APPROX. MOTOR WGT. Values include 0 dBA, 10 dBA, 0 LB-FT^2, 0 LB-FT^2, 10 SEC., 2, 0 LBS.

\*\*\* SUPPLEMENTAL INFORMATION \*\*\*

Table with 9 columns: DE BRACKET TYPE, ODE BRACKET TYPE, MOUNT TYPE, ORIENTATION, SEVERE DUTY, HAZARDOUS LOCATION, DRIP COVER, SCREENS, PAINT. Values include STANDARD, STANDARD, RESILIENT BASE-EXTENDED STUDS, HORIZONTAL, FALSE, NONE, FALSE, NONE, GRAY (POWDER).

Table with 8 columns: BEARINGS (DE, OPE), GREASE, SHAFT TYPE, SPECIAL DE, SPECIAL ODE, SHAFT MATERIAL, FRAME MATERIAL. Values include BALL, BALL, BEACON 325, SGL SPL EXT, 0.500 x 1.88 IN SEF WITH 1.62 IN FULL FLAT, NONE, 1144 STRESSPROOF (C-223), ROLLED STEEL.

Table with 7 columns: THERMO-PROTECTORS (THERMOSTATS, PROTECTORS, WDG RTDs, BRG RTDs), THERMISTORS, CONTROL, SPACE /n HEATERS. Values include NONE, NOT, NONE, NONE, NONE, FALSE, NONE VOLTS.

\*
N
O
T
E
S
\*

If Inverter equals NONE, contact factory for further information

Table with 1 row: INVERTER TORQUE: NONE, INV. HP SPEED RANGE: NONE, ENCODER: NONE, NONE NONE, NONE NONE PPR, BRAKE: NONE NONE, NONE P/N NONE, NONE NONE, NONE FT-LB, NONE V, NONE Hz.

DATE: 06/28/2017 06:41:29 AM
FORM 3531 REV.3 02/07/99

Uncontrolled Copy

\*\* Subject to change without notice.