

PRODUCT INFORMATION PACKET

marathon[®]
Motors

Model No: 048C17D2057
Catalog No: X600
1/4,1725,DP,48Z,1/60/100-120/200-240
Other Purpose



Regal and Marathon are trademarks of Regal Beloit Corporation or one of its affiliated companies.
©2018 Regal Beloit Corporation, All Rights Reserved. MC017097E

REGAL[®]

Product Information Packet: Model No: 048C17D2057, Catalog No:X600 1/4,1725,DP,48Z,1/60/100-120/200-240

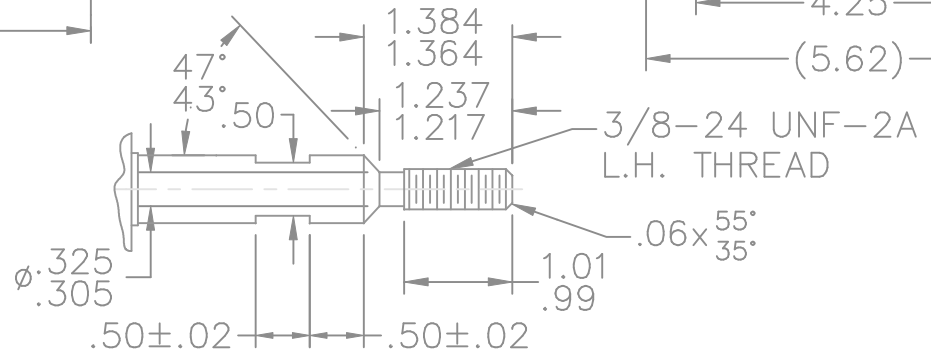
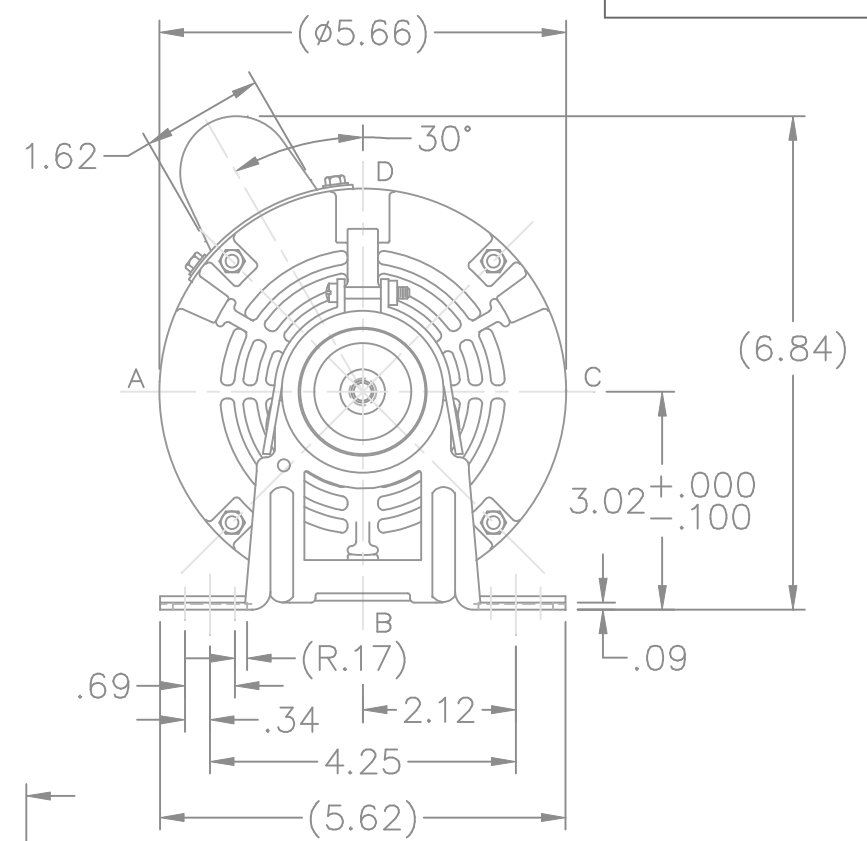
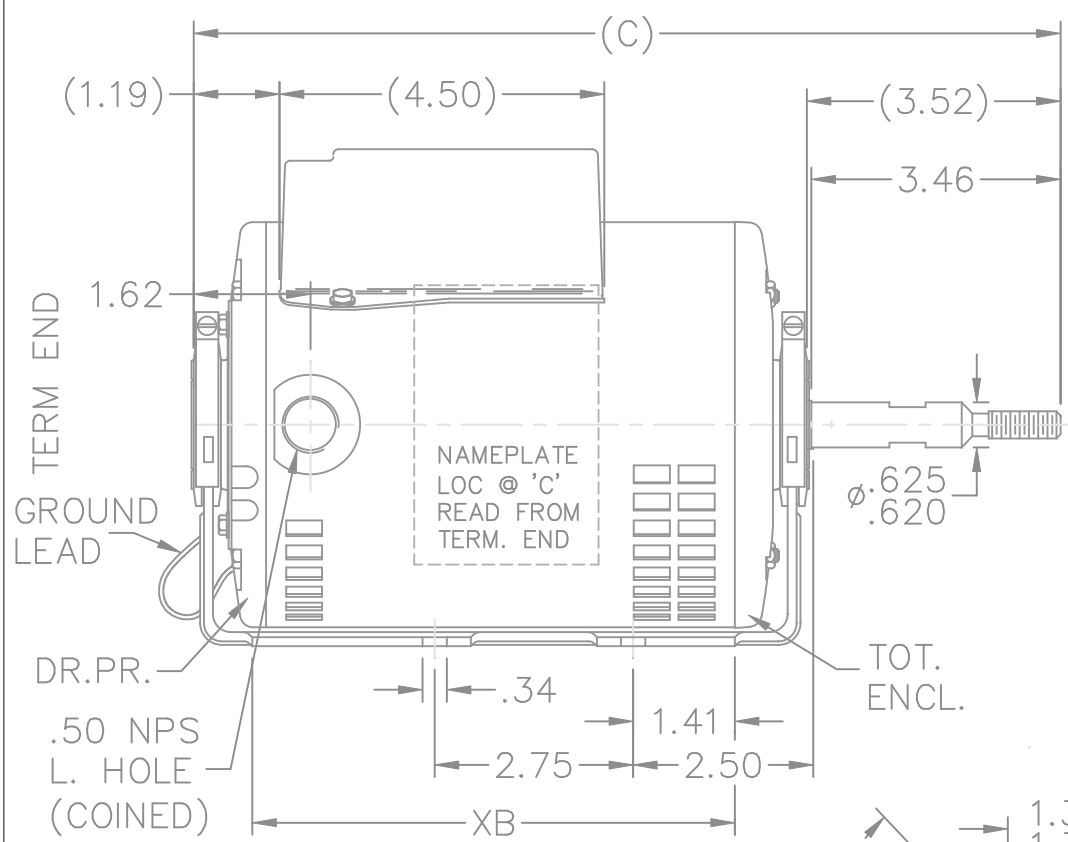
Nameplate Specifications

Output HP	0.25 Hp	Output KW	0.19 kW
Frequency	60 Hz	Voltage	100-120/200-240 V
Current	5.4-6.6/2.7-3.3 A	Speed	1725 rpm
Service Factor	1.35	Phase	1
Efficiency	64 %	Duty	Continuous
Insulation Class	B	Design Code	NO DESIGN CODE
KVA Code	P	Frame	48
Enclosure	Drip Proof	Overload Protector	Automatic
Ambient Temperature	50 °C	Drive End Bearing Size	6203
Opp Drive End Bearing Size	6203	UL	Recognized
CSA	Y	CE	N
IP Code	22		

Technical Specifications

Electrical Type	Capacitor Start Induction Run	Starting Method	Across The Line
Poles	4	Rotation	Fixed Counterclockwise
Mounting	Resilient Base	Motor Orientation	Horizontal
Drive End Bearing	Ball	Opp Drive End Bearing	Ball
Frame Material	Rolled Steel	Shaft Type	Single Special Extension
Overall Length	12.02 in	Shaft Diameter	0.500 in
Shaft Extension	1.5 in	Assembly/Box Mounting	F1 Only
Outline Drawing	A-SS400374-650	Connection Diagram	A-EE9002AV

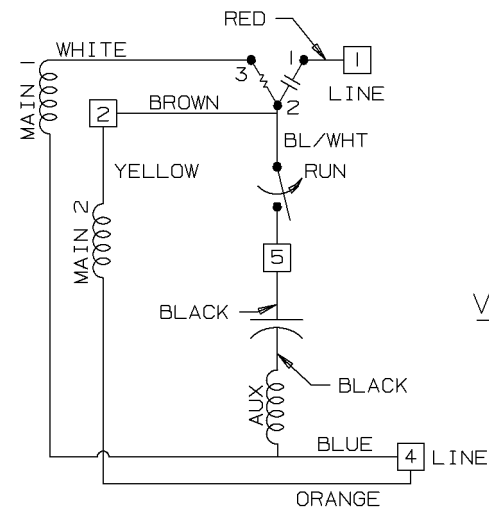
This is an uncontrolled document once printed or downloaded and is subject to change without notice. Date Created: 10/08/2018



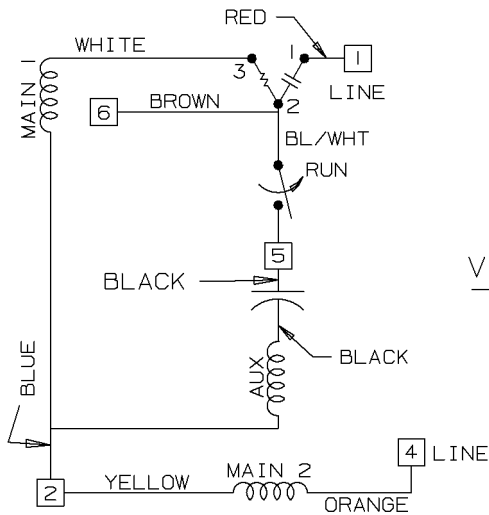
DASH	FRAME	C	XB
650	48	12.02	6.69

EXTENSION DETAIL

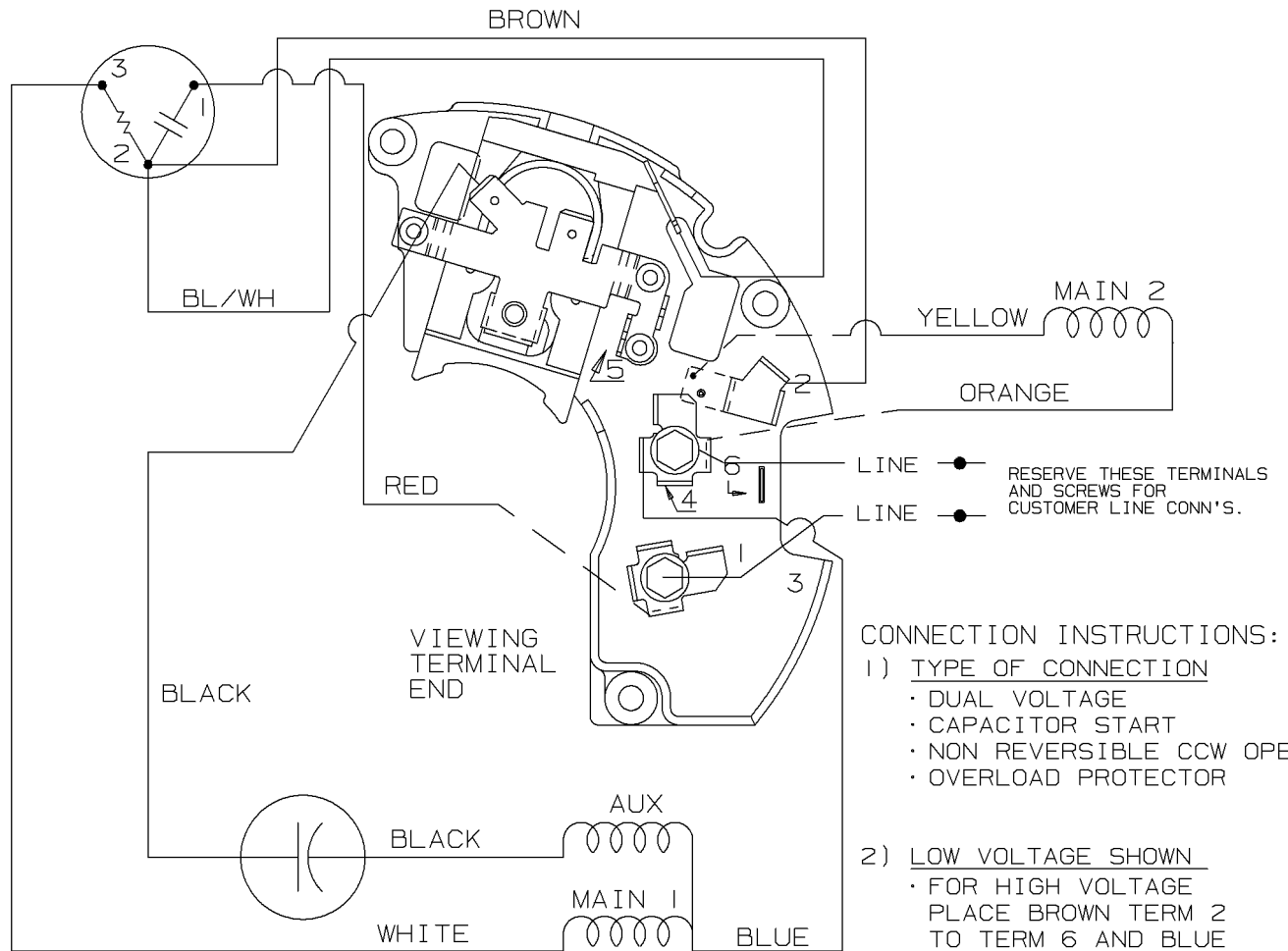
				TOLERANCES UNLESS SPECIFIED		MARATHON ELECTRIC	DRAWN MH 12-09-1997				
				DEC.	INCHES		CHK ML 12-11-1997	APPD TOM 12-11-1997	SCALE 3=8	REF	
5	REDRAWN IN AUTOCAD	TAT 06-13-2005	ML	.X	$\pm .1$	TITLE OUTLINE 48 FRAME	SCALE 3=8				
4	.625/.620 WAS 4 PLACE DECIMAL CN 29270	BJW 03-13-2000		.XX	$\pm .03$		REF				
3	REV. THREADED SHAFT END CN 28429	CAV 09-23-1999		.XXX	$\pm .005$		FMF				
2	REV. SHAFT HEIGHT TOL. WAS 3.02/2.96 CN 26797	BLR 09-22-1998		.XXXX	$\pm .0005$		PREV				
NO.	REVISION	BY & DATE	CHK	ANG	$\pm 7'30''$		FINISH				
THIS DRAWING IN DESIGN AND DETAIL IS OUR PROPERTY AND MUST NOT BE USED EXCEPT IN CONNECTION WITH OUR WORK ALL RIGHTS OF DESIGN AND INVENTION ARE RESERVED THIS IS AN ELECTRONICALLY GENERATED DOCUMENT - DO NOT SCALE THIS PRINT						RFP	CAD FILE ss400374	SIZE A	DRAWING NO. SS400374	PAGE OF	REV. 5
						DIST WP					



LOW VOLTAGE



HIGH VOLTAGE



CCW ROTATION-LEAD END

NOTE:
DASH LINES INDICATE LEADS CONNECTED TO MOTOR SIDE OF SWITCH.

RESERVE THESE TERMINALS AND SCREWS FOR CUSTOMER LINE CONN'S.

- CONNECTION INSTRUCTIONS:
- 1) TYPE OF CONNECTION
 - DUAL VOLTAGE
 - CAPACITOR START
 - NON REVERSIBLE CCW OPE
 - OVERLOAD PROTECTOR
 - 2) LOW VOLTAGE SHOWN
 - FOR HIGH VOLTAGE PLACE BROWN TERM 2 TO TERM 6 AND BLUE TERM 4 TO TERM 2

				✓ MAX. SURFACE ROUGHNESS UNLESS NOTED OTHERWISE	UNLESS OTHERWISE SPECIFIED DIMENSIONS ARE IN INCHES TOL. ON XX±.02 XXX±.005 XXXX±.0005 ANGLES± 7'30"		
				MATL SPEC			
				FINISH	DRAWN BY BLR 09-10-1996		
				REFERENCE DRW.	CHKD BY ML 10-03-1996		
				PART NAME CONNECTION DIAGRAM	APPD BY ST 10-04-1996		
				48 FR. DUAL VOLTAGE CONTROL	DRWG NO A-EE9002AV		

SHOP BOOK

PURCHASED

DISTRIBUTION - WA - LB - WP - LM - BR

CADD FILE NO.

EE9002AV

