

PRODUCT INFORMATION PACKET

marathon[®]
Motors

Model No: 048C17D2044
Catalog No: B315
1/3,1725,DP,48Z,1/60/115/230
Fan and Blower



Regal and Marathon are trademarks of Regal Beloit Corporation or one of its affiliated companies.
©2018 Regal Beloit Corporation, All Rights Reserved. MC017097E

REGAL[®]

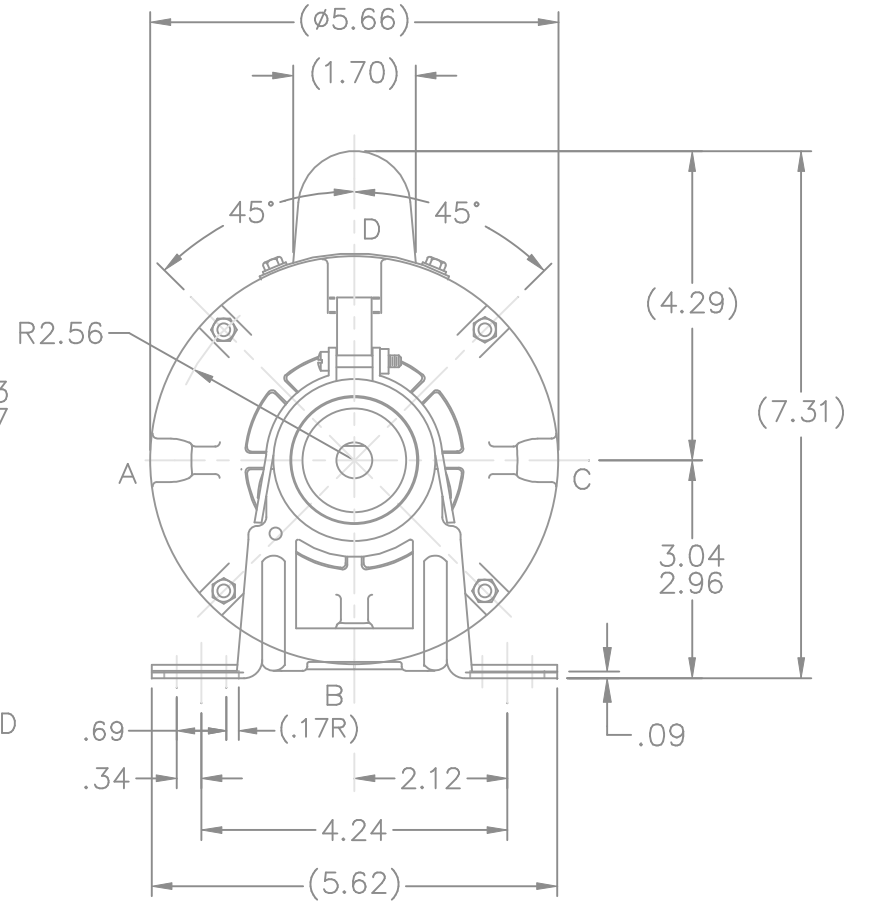
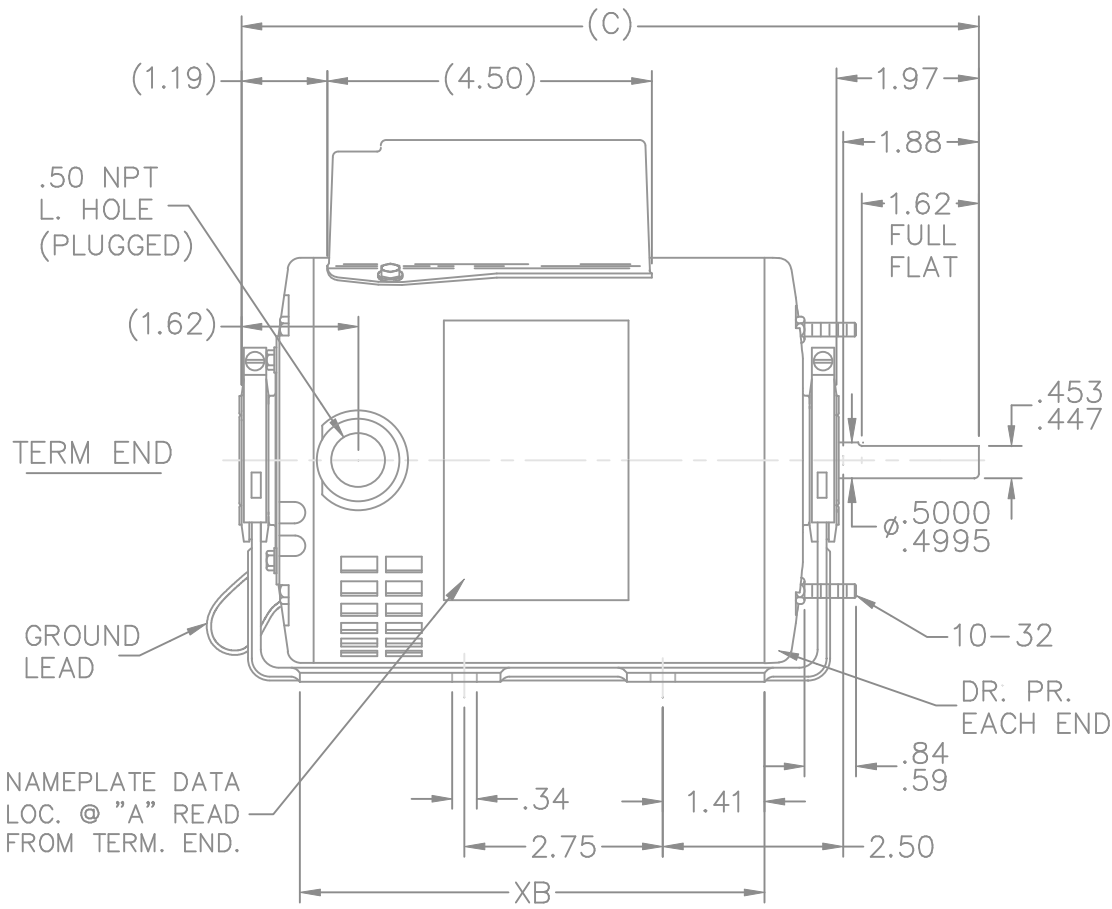
Nameplate Specifications

Output HP	0.33 Hp	Output KW	0.25 kW
Frequency	60 Hz	Voltage	115/208-230 V
Current	5.8/3.1-2.9 A	Speed	1725 rpm
Service Factor	1.35	Phase	1
Efficiency	64 %	Duty	Continuous
Insulation Class	B	Design Code	NO DESIGN CODE
KVA Code	J	Frame	48Z
Enclosure	Drip Proof	Overload Protector	Automatic
Ambient Temperature	40 °C	Drive End Bearing Size	6203
Opp Drive End Bearing Size	6203	UL	Recognized
CSA	Y	CE	N
IP Code	22		

Technical Specifications

Electrical Type	Capacitor Start Induction Run	Starting Method	Across The Line
Poles	4	Rotation	Selective Counterclockwise
Mounting	Resilient Base - Extended Studs	Motor Orientation	Horizontal
Drive End Bearing	Ball	Opp Drive End Bearing	Ball
Frame Material	Rolled Steel	Shaft Type	Single Special Extension
Overall Length	10.22 in	Frame Length	6.25 in
Shaft Diameter	0.500 in	Shaft Extension	1.97 in
Assembly/Box Mounting	F1 Only		
Outline Drawing	A-SS79620-625	Connection Diagram	A-EE9002M

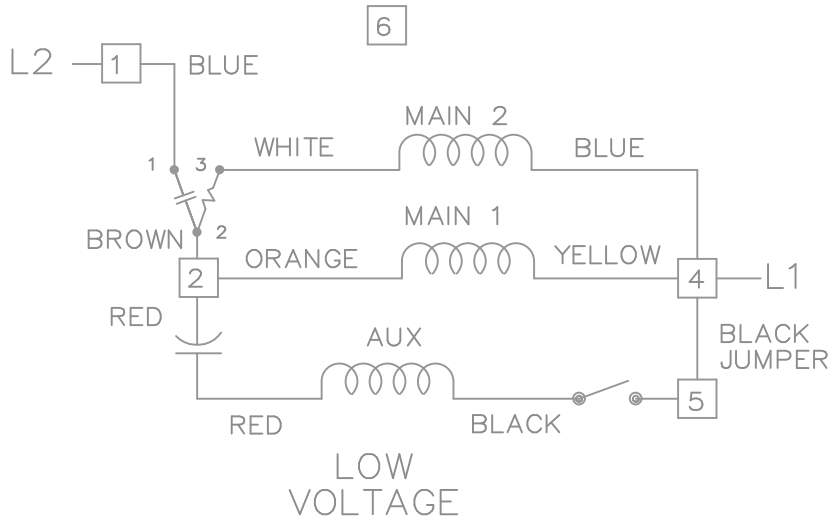
This is an uncontrolled document once printed or downloaded and is subject to change without notice. Date Created: 10/08/2018



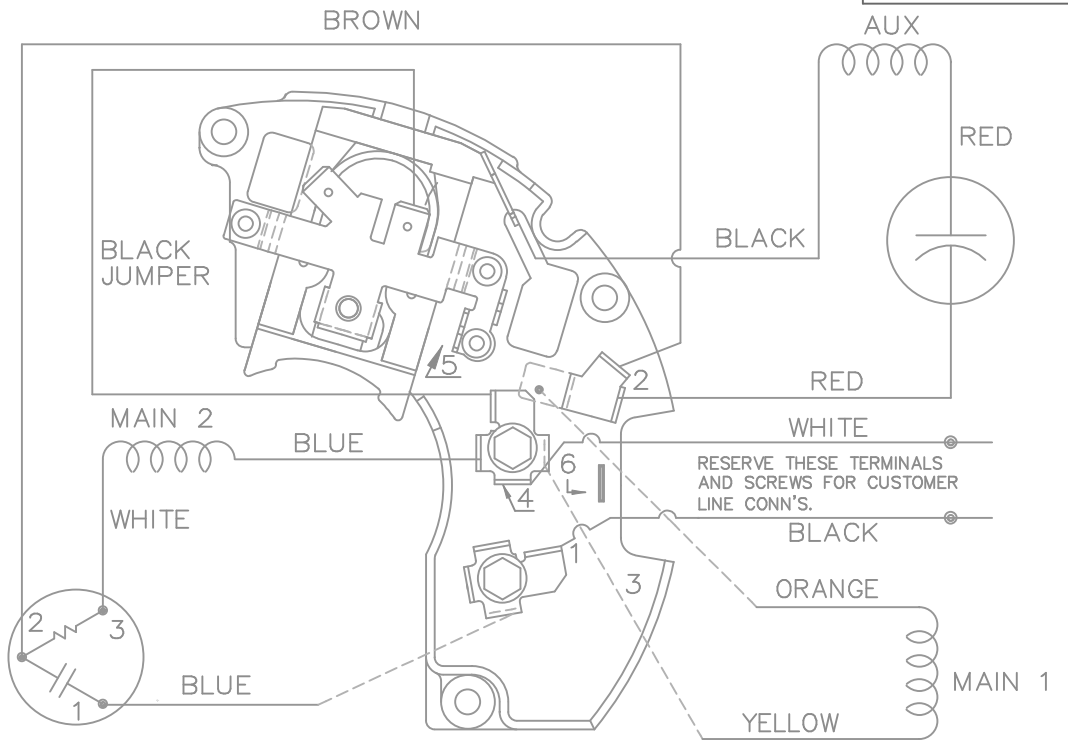
DASH	FR.	C	XB
550	48	9.47	5.69
575	48	9.72	5.94
625	48	10.22	6.44

				TOLERANCES UNLESS SPECIFIED			DRAWN DD 05-11-1993				
				DEC.	INCHES		CHK ML 05-12-1993				
				.X	±.1	APPD SAT 05-12-1993					
6	UPDATED DRAWING	TJW	04/27/2007	.XX	±.03	SCALE 3=8					
5	REDRAWN IN AUTOCAD	TAT	09-01-2004	ML	±.005	REF					
4	REDRAWN ON CADD	4031395	DD 05-17-1993	.XXXX	±.0005	FMF					
NO.	REVISION	BY & DATE	CHK	ANG	±'30"	FINISH	PREV				
THIS DRAWING IN DESIGN AND DETAIL IS OUR PROPERTY AND MUST NOT BE USED EXCEPT IN CONNECTION WITH OUR WORK ALL RIGHTS OF DESIGN AND INVENTION ARE RESERVED THIS IS AN ELECTRONICALLY GENERATED DOCUMENT - DO NOT SCALE THIS PRINT				RFP		CAD FILE ss79620	SIZE A	DRAWING NO. SS79620	PAGE	OF	REV. 6
				DIST	WP						

10/2/2008 1:17:13 PM

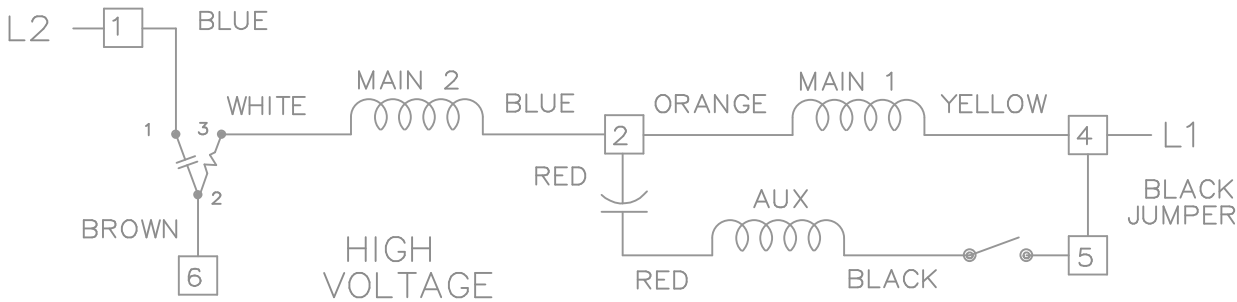


DUAL VOLTAGE CAPACITOR START REVERSIBLE ON TERM BOARD WITH OVERLOAD PROTECTION



VIEWING TERM END

LOW VOLTAGE CCW ROTATION SHOWN.



FOR HIGH VOLTAGE CONNECT BROWN TERM 2 TO TERM 6. CONNECT BLUE TERM 4 TO TERM 2.

TO REVERSE ROTATION EITHER VOLTAGE INTERCHANGE RED LEAD WITH BLACK LEAD.

				TOLERANCES UNLESS SPECIFIED		MARATHON ELECTRIC	DRAWN BW 02-22-1990				
				DEC.	INCHES		CHK	ML	02-22-1990		
				.X	± -	TITLE CONNECTION DIAGRAM 48 FR. DUAL VOLTAGE REVERSIBLE	APPD	GK	02-22-1990	SCALE	1=1
3	ROUTING OF BLACK JUMPER	CN 35440	BJK 08-20-2002	.XX	± -		MAT'L.	REF		FMF	
2	REVISED BLACK LINE LOCATION	CN 6427	RM 01-28-1991	.XXX	± -		FINISH	PREV			
1	NEW DRAWING		BW 02-22-1990	.XXXX	± -						
NO.	REVISION	BY & DATE	CHK	ANG	± -						
THIS DRAWING IN DESIGN AND DETAIL IS OUR PROPERTY AND MUST NOT BE USED EXCEPT IN CONNECTION WITH OUR WORK ALL RIGHTS OF DESIGN AND INVENTION ARE RESERVED THIS IS AN ELECTRONICALLY GENERATED DOCUMENT - DO NOT SCALE THIS PRINT				RFP		CAD FILE EE9002M	SIZE	DRAWING NO.	PAGE	OF	REV.
				DIST	WP		A	EE9002M			3

Uncontrolled Copy

** Subject to change without notice.