

PRODUCT INFORMATION PACKET

marathon[®]
Motors

Model No: 048C17D2042
Catalog No: B313
1/4,1800,DP,48Y,1/60/115/230
Fan and Blower



Regal and Marathon are trademarks of Regal Beloit Corporation or one of its affiliated companies.
©2018 Regal Beloit Corporation, All Rights Reserved. MC017097E

REGAL[®]

Nameplate Specifications

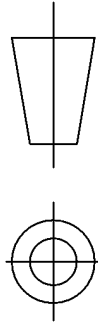
Output HP	0.25 Hp	Output KW	0.19 kW
Frequency	60 Hz	Voltage	115/208-230 V
Current	5.2/2.8-2.6 A	Speed	1725 rpm
Service Factor	1.35	Phase	1
Efficiency	57.5 %	Duty	Continuous
Insulation Class	B	Design Code	NO DESIGN CODE
KVA Code	M	Frame	48Y
Enclosure	Drip Proof	Overload Protector	Automatic
Ambient Temperature	40 °C	Drive End Bearing Size	6203
Opp Drive End Bearing Size	6203	UL	Recognized
CSA	Y	CE	N
IP Code	22		

Technical Specifications

Electrical Type	Capacitor Start Induction Run	Starting Method	Across The Line
Poles	4	Rotation	Selective Counterclockwise
Mounting	Resilient Base - Extended Studs	Motor Orientation	Horizontal
Drive End Bearing	Ball	Opp Drive End Bearing	Ball
Frame Material	Rolled Steel	Shaft Type	Single Special Extension
Overall Length	9.95 in	Shaft Diameter	0.500 in
Shaft Extension	2.01 in	Assembly/Box Mounting	F1 Only
Outline Drawing	52A111276P1	Connection Diagram	52A105383AA

This is an uncontrolled document once printed or downloaded and is subject to change without notice. Date Created: 10/08/2018

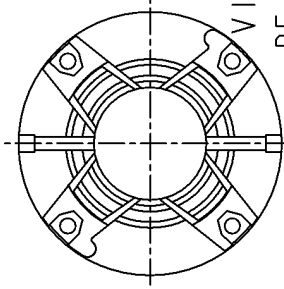
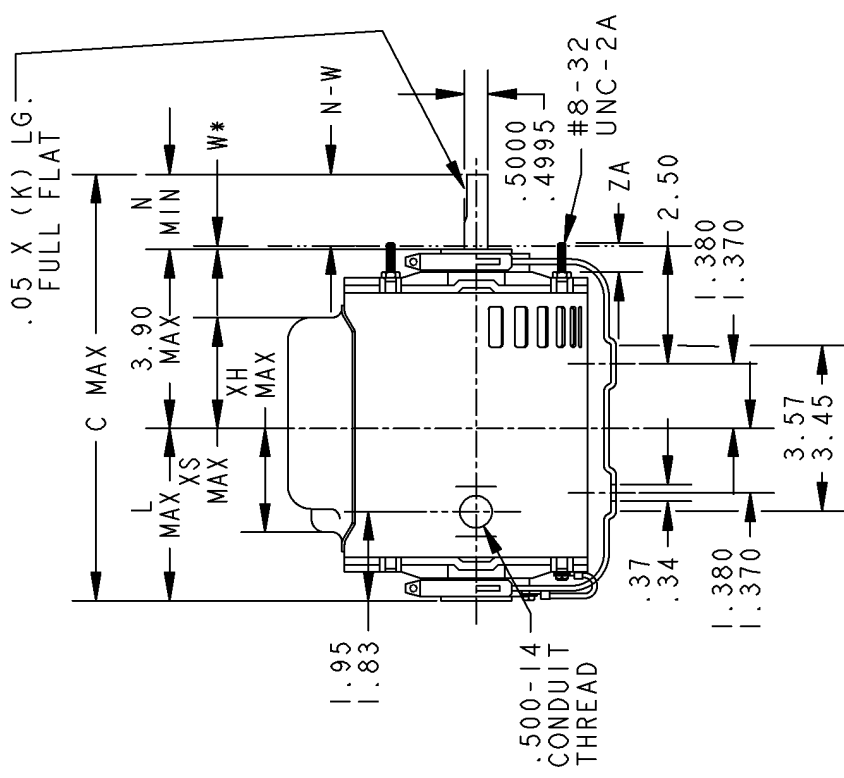
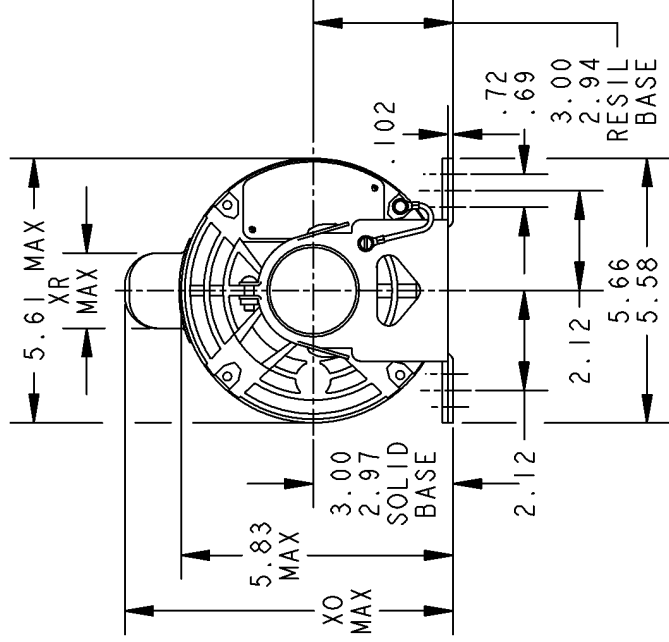
THIRD ANGLE PROJECTION



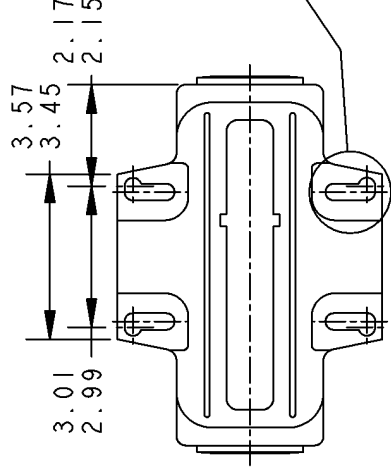
REVISIONS

REV.	DESCRIPTION	DATE	APPROVED
2	CHG RESI BASE PER IS05-1477	07/07/05	DURGA
3	CHG TO RBC FORMAT PER IS05-1777	04/28/06	PRAVEEN.K

52A11276 3



VIEW SHOWING PE VENTILATION OPENINGS



*W IS A CLEARANCE DUE TO VARIATION IN PARTS & ASSEMBLY.

I	KC	35	48Z	9.95	4.22	2.59	7.31	1.60	1.97	1.88	2.01	1.79	1.62	.72
PT	TYPE	GE SIZE	NEMA FR	C	L	XH	XO	XR	XS	N	N-W	K	ZA	

SIGNATURES		DATE
MODEL	DURGA	07/13/05
DETAIL		
CHECKED		
ENGR		
MFG		
QUALITY		
ISSUED	DURGA	07/13/05
SOLID MODEL:	52A11276	

REGAL-BELOIT CORPORATION

REGAL-BELOIT

TITLE: **OUTLINE**

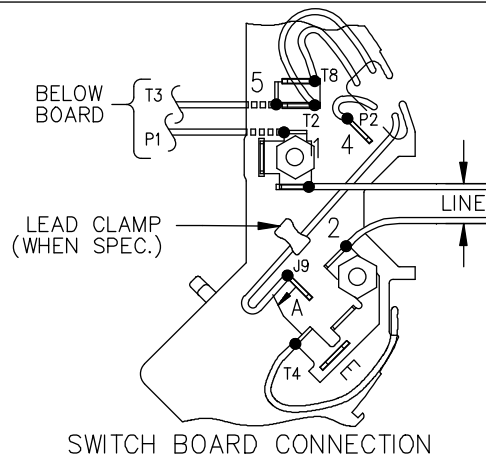
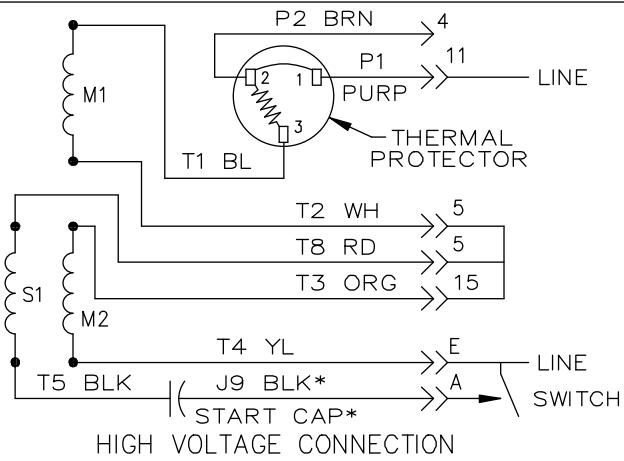
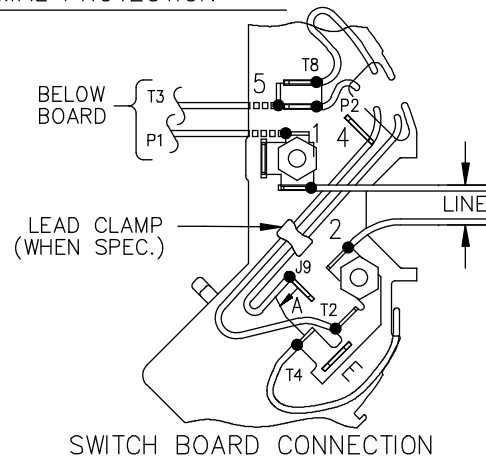
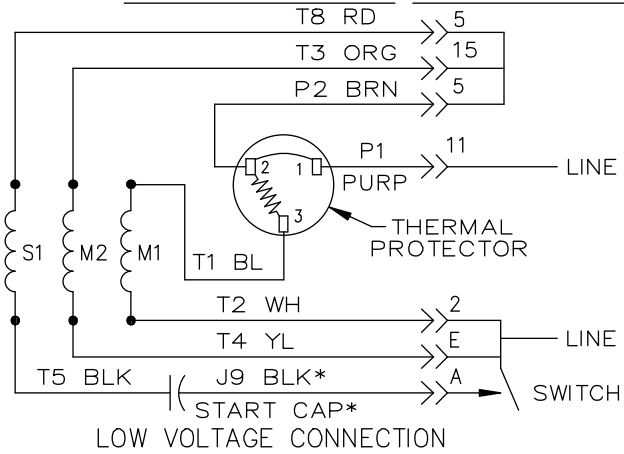
FORM N-GENERAL PURPOSE MOTOR-DRIP PROOF-SOLID OR RESIL BASE-BALL OR SLEEVE BEARING

SIZE: A
DRAWING: A

SCALE: 1.000 REF. No: .

FOR ADDITIONAL INFO REFER TO:	APPLIED PRACTICES	DIMENSIONS ARE IN INCHES	REV	SHEET
			52A11276	3
				1 of 1

EITHER ROTATION, DUAL VOLTAGE, TYPE KC OR KH, WITH THERMAL PROTECTION



NOTE #1 - START CAP & J9 WHEN SPECIFIED (*). IF NO CAPACITOR (KH), CONNECT T5 DIRECTLY TO SWITCH (A). WHEN MORE THAN ONE CAPACITOR IS USED, CONNECT IN PARALLEL.

NOTE #2 - TO REVERSE ROTATION, INTER CHANGE RD(T8) AND BLK(J9-KC OR T5-KH) LEADS.

SWITCH REF. - 115D958AB	CONNECTION LABEL	CCW ROTATION: NP52X332051AA
		CW ROTATION: NP52X332051AC

				TOLERANCES UNLESS SPECIFIED		REGAL-BELOIT CORPORATION	DRAWN M.D.P 06/29/87
				DEC.	INCHES		CHK
				.X	±0.1	TITLE CONNECTION DIAGRAM 30 FRAME SWITCH REDESIGN	APPD M.D.P 03/26/96
				.XX	±0.02		SCALE 1=1
5	ADDED CONNECTION LABEL PER ECO-0030779	UD 02/06/13	PKG	.XXX	±0.005		REF
4	UPDATED PER ISO7-0150	MD 01/23/07		.XXXX	±0.0005		FMF
NO.	REVISION	BY & DATE	CHK	ANG	±1.0		PREV
THIS DRAWING IN DESIGN AND DETAIL IS OUR PROPERTY AND MUST NOT BE USED EXCEPT IN CONNECTION WITH OUR WORK. ALL RIGHTS OF DESIGN AND INVENTION ARE RESERVED. THIS IS AN ELECTRONICALLY GENERATED DOCUMENT - DO NOT SCALE THIS PRINT				RFP	CAD FILE	52A105383AA	SIZE A
				DIST			DRAWING NO. 52A105383AA
							REV. 5