

# PRODUCT INFORMATION PACKET

**marathon**<sup>®</sup>  
Motors

Model No: 048C17D2041  
Catalog No: B312  
1/4,1725,DP,48Z,1/60/115/208-230  
Fan and Blower



Regal and Marathon are trademarks of Regal Beloit Corporation or one of its affiliated companies.  
©2018 Regal Beloit Corporation, All Rights Reserved. MC017097E

**REGAL**<sup>®</sup>

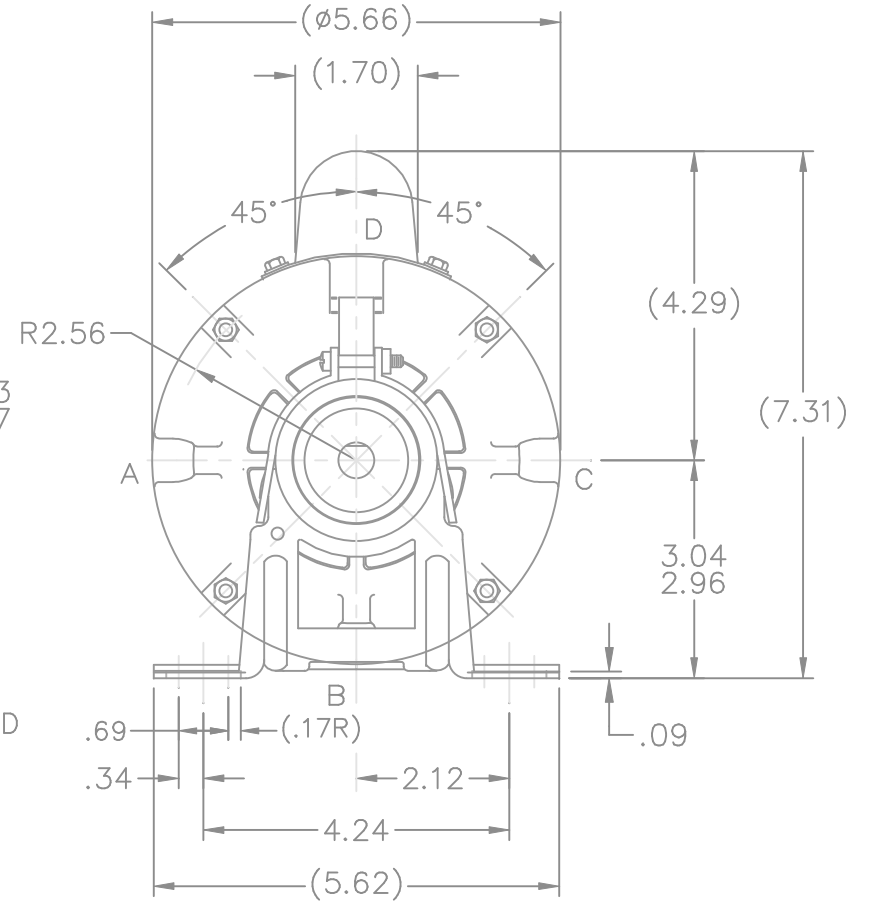
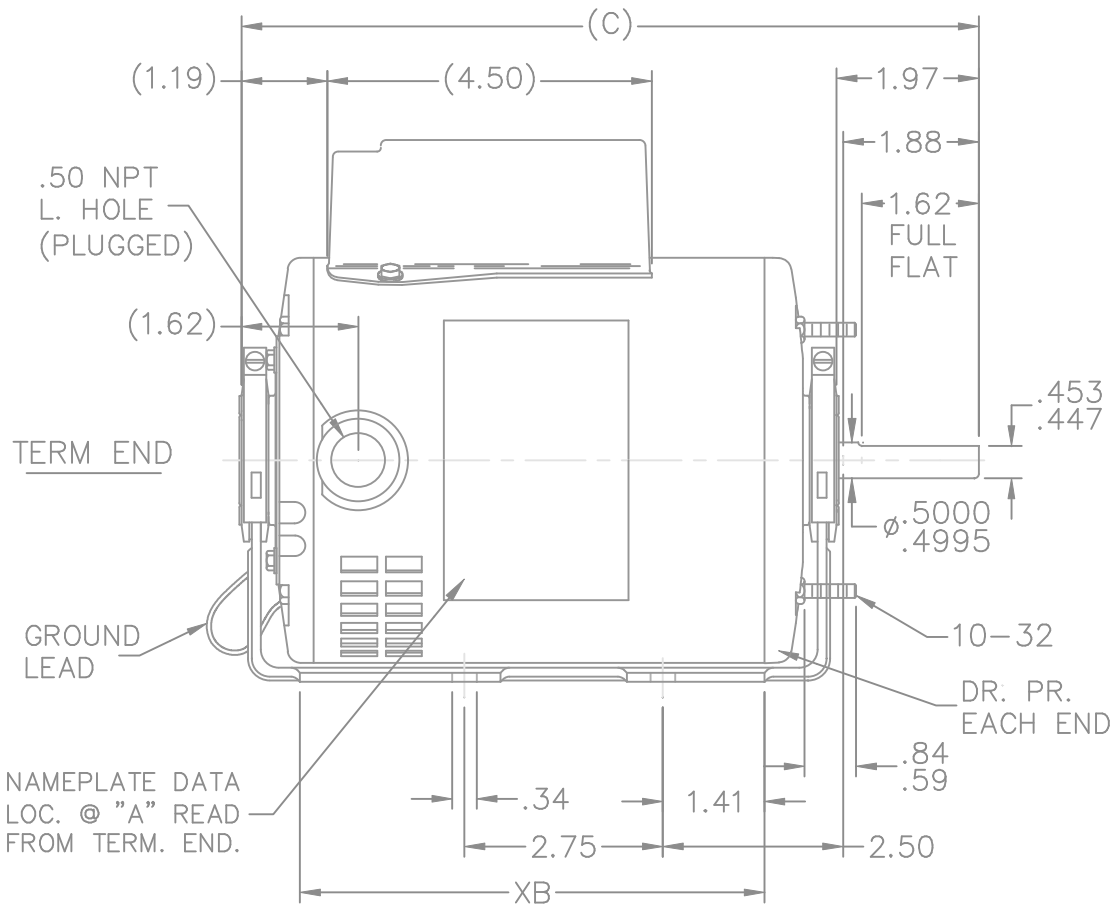
**Nameplate Specifications**

Output HP	<b>0.25 Hp</b>	Output KW	<b>0.19 kW</b>
Frequency	<b>60 Hz</b>	Voltage	<b>115/208-230 V</b>
Current	<b>6.2/2.8-3.1 A</b>	Speed	<b>1725 rpm</b>
Service Factor	<b>1.35</b>	Phase	<b>1</b>
Efficiency	<b>52.5 %</b>	Duty	<b>Continuous</b>
Insulation Class	<b>B</b>	Design Code	<b>NO DESIGN CODE</b>
KVA Code	<b>L</b>	Frame	<b>48Z</b>
Enclosure	<b>Drip Proof</b>	Overload Protector	<b>No</b>
Ambient Temperature	<b>40 °C</b>	Drive End Bearing Size	<b>6203</b>
Opp Drive End Bearing Size	<b>6203</b>	UL	<b>Recognized</b>
CSA	<b>Y</b>	CE	<b>N</b>
IP Code	<b>12</b>		


**Technical Specifications**

Electrical Type	<b>Capacitor Start Induction Run</b>	Starting Method	<b>Across The Line</b>
Poles	<b>4</b>	Rotation	<b>Selective Counterclockwise</b>
Mounting	<b>Resilient Base - Extended Studs</b>	Motor Orientation	<b>Horizontal</b>
Drive End Bearing	<b>Ball</b>	Opp Drive End Bearing	<b>Ball</b>
Frame Material	<b>Rolled Steel</b>	Shaft Type	<b>Single Special Extension</b>
Overall Length	<b>9.72 in</b>	Shaft Diameter	<b>0.500 in</b>
Shaft Extension	<b>1.88 in</b>	Assembly/Box Mounting	<b>F1 Only</b>
Outline Drawing	<b>A-SS79620-575</b>	Connection Diagram	<b>A-EE9002E</b>

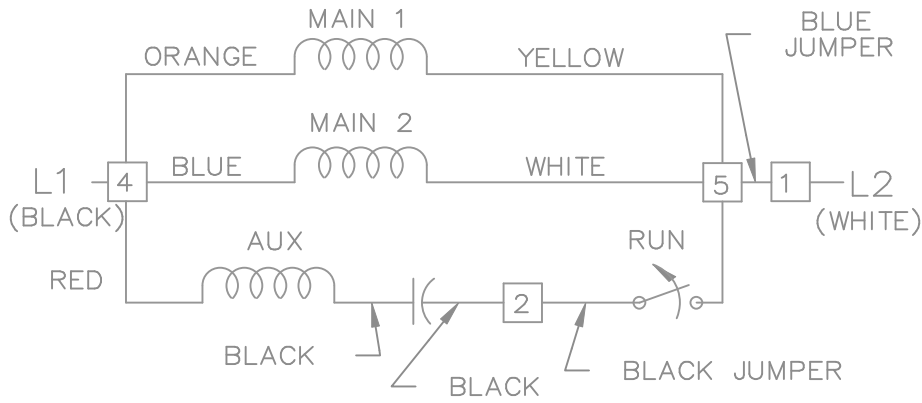
**This is an uncontrolled document once printed or downloaded and is subject to change without notice. Date Created: 10/08/2018**



DASH	FR.	C	XB
550	48	9.47	5.69
575	48	9.72	5.94
625	48	10.22	6.44

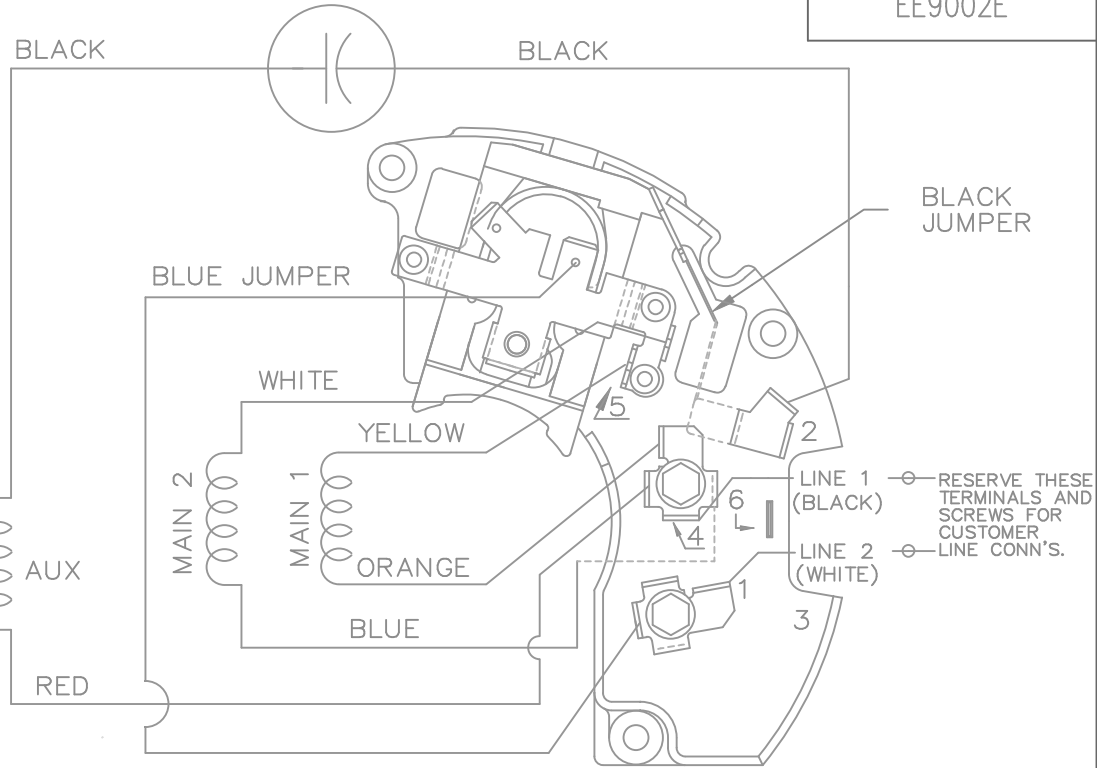
				TOLERANCES UNLESS SPECIFIED			DRAWN DD 05-11-1993				
				DEC.	INCHES		CHK ML 05-12-1993				
				.X	±.1	TITLE OUTLINE	APPD SAT 05-12-1993				
6	UPDATED DRAWING	TJW	04/27/2007	.XX	±.03		SCALE 3=8	REF			
5	REDRAWN IN AUTOCAD	TAT	09-01-2004	ML	.XXX			±.005	FMF		
4	REDRAWN ON CADD	4031395	DD 05-17-1993		.XXXX	±.0005	PREV				
NO.	REVISION	BY & DATE	CHK	ANG	±	FINISH	SIZE	DRAWING NO.	PAGE	OF	REV.
THIS DRAWING IN DESIGN AND DETAIL IS OUR PROPERTY AND MUST NOT BE USED EXCEPT IN CONNECTION WITH OUR WORK ALL RIGHTS OF DESIGN AND INVENTION ARE RESERVED THIS IS AN ELECTRONICALLY GENERATED DOCUMENT - DO NOT SCALE THIS PRINT				RFP		CAD FILE ss79620	A	SS79620			6
				DIST	WP						

10/2/2008 1:17:13 PM



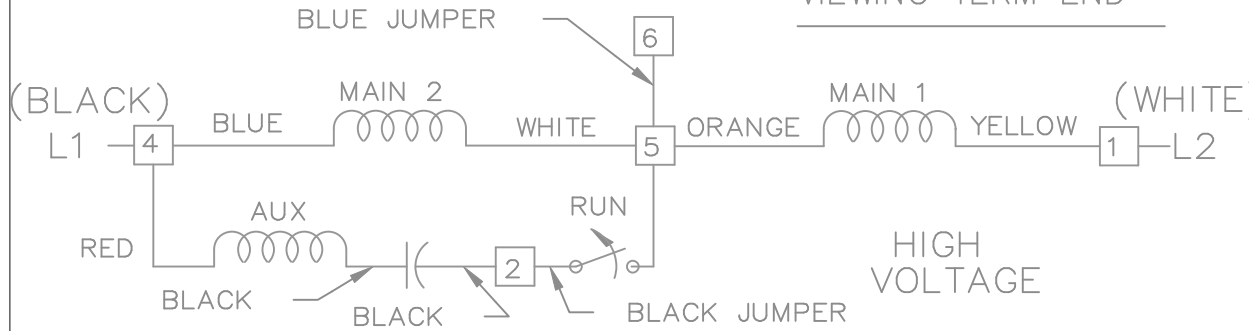
LOW VOLTAGE

DUAL VOLTAGE CAPACITOR START REVERSIBLE ON TERM BOARD NO OVERLOAD PROTECTION



VIEWING TERM END

LOW VOLTAGE CCW ROTATION SHOWN



HIGH VOLTAGE

FOR HIGH VOLTAGE:  
CONNECT BLUE TERM 1 TO TERM 6,  
CONNECT YELLOW TERM 5 TO TERM 1,  
CONNECT ORANGE TERM 4 TO TERM 5.

TO REVERSE ROTATION EITHER VOLTAGE INTERCHANGE RED LEAD WITH BLACK LEAD

		TOLERANCES UNLESS SPECIFIED		MARATHON ELECTRIC		DRAWN ML 02-02-1988			
		DEC.	INCHES			CHK GK 02-15-1988			
05	COLOURS ADDED TO L1,L2	RP	12/10/2008	.X	±.1	APPD DRN 02-24-1988			
04	WHITE LEAD LOCATED UNDER BKY DATE	BLR	09/13/99	.XX	±.02	SCALE 1=1			
	CODE APPR. 6K AND PRIOR CN 28441			.XXX	±.005	REF EE9002E-LE			
03	REVISED LINE 2 LOCATION CN 6427	RM	01/28/1991	.XXXX	±.0005	FMF			
02	ADDED CUSTOMER CONN. NOTE CN 6011	BW	08/03/1989	CHK	ANG ±7'30"	PREV			
NO.	REVISION	BY & DATE	CHK	ANG	FINISH				
THIS DRAWING IN DESIGN AND DETAIL IS OUR PROPERTY AND MUST NOT BE USED EXCEPT IN CONNECTION WITH OUR WORK ALL RIGHTS OF DESIGN AND INVENTION ARE RESERVED THIS IS AN ELECTRONICALLY GENERATED DOCUMENT - DO NOT SCALE THIS PRINT			RFP		CAD FILE EE9002E	SIZE A	DRAWING NO. EE9002E	PAGE OF	REV. 05
			DIST	WP					



Uncontrolled Copy

\*\* Subject to change without notice.