

PRODUCT INFORMATION PACKET

marathon[®]
Motors

Model No: 048A8O182
Catalog No: X097
1/4,825,OPEN,48Y,1/60/208-230
Condenser Fans



Regal and Marathon are trademarks of Regal Beloit Corporation or one of its affiliated companies.
©2018 Regal Beloit Corporation, All Rights Reserved. MC017097E

REGAL[®]

Nameplate Specifications

Output HP	0.25 Hp	Output KW	0.19 kW
Frequency	60 Hz	Voltage	208-230 V
Current	1.8-1.8 A	Speed	825 rpm
Service Factor	1	Phase	1
Efficiency	55 %	Duty	Continuous
Insulation Class	B	Design Code	NO DESIGN CODE
KVA Code	B	Frame	48Z
Enclosure	Open Air Over	Overload Protector	Automatic Lock Rotor Only
Ambient Temperature	40 °C	Drive End Bearing Size	6203
Opp Drive End Bearing Size	6203	UL	Recognized
CSA	Y	CE	N
IP Code	01		

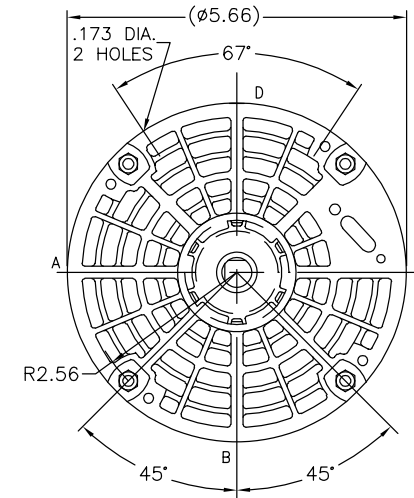
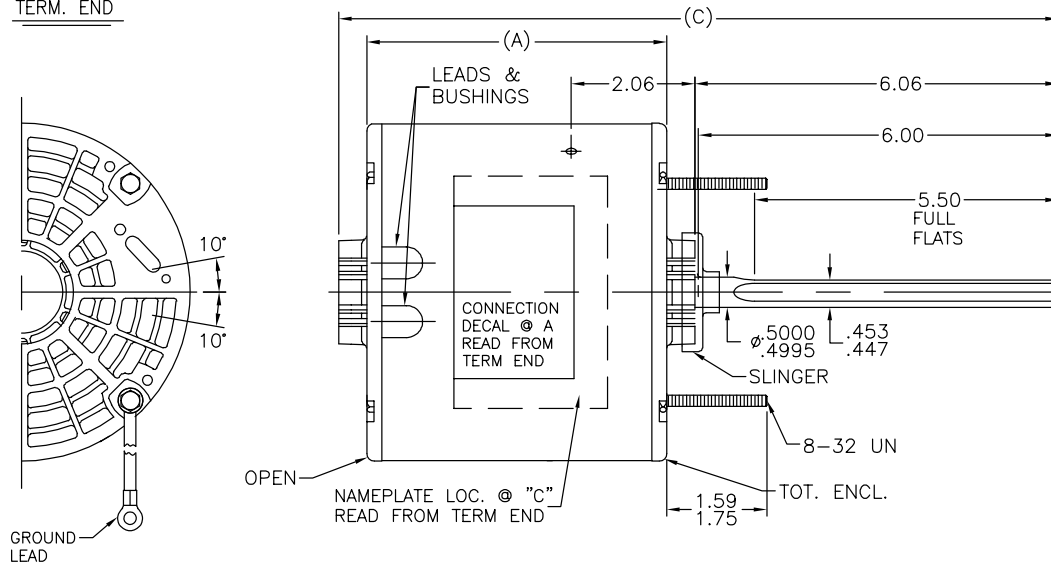
Technical Specifications

Electrical Type	Permanent Split Capacitor	Starting Method	Across The Line
Poles	8	Rotation	Selective Counterclockwise
Mounting	Round - Extended Studs	Motor Orientation	Horizontal
Drive End Bearing	Ball	Opp Drive End Bearing	Ball
Frame Material	Rolled Steel	Shaft Type	Single Special Extension
Overall Length	11.44 in	Frame Length	4.00 in
Shaft Diameter	0.500 in	Shaft Extension	6.06 in
Assembly/Box Mounting	F1 Only		
Outline Drawing	A-SS73901-400	Connection Diagram	6906496

This is an uncontrolled document once printed or downloaded and is subject to change without notice. Date Created: 10/08/2018

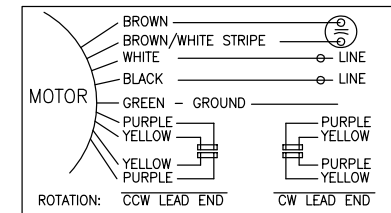
SS73901

TERM. END



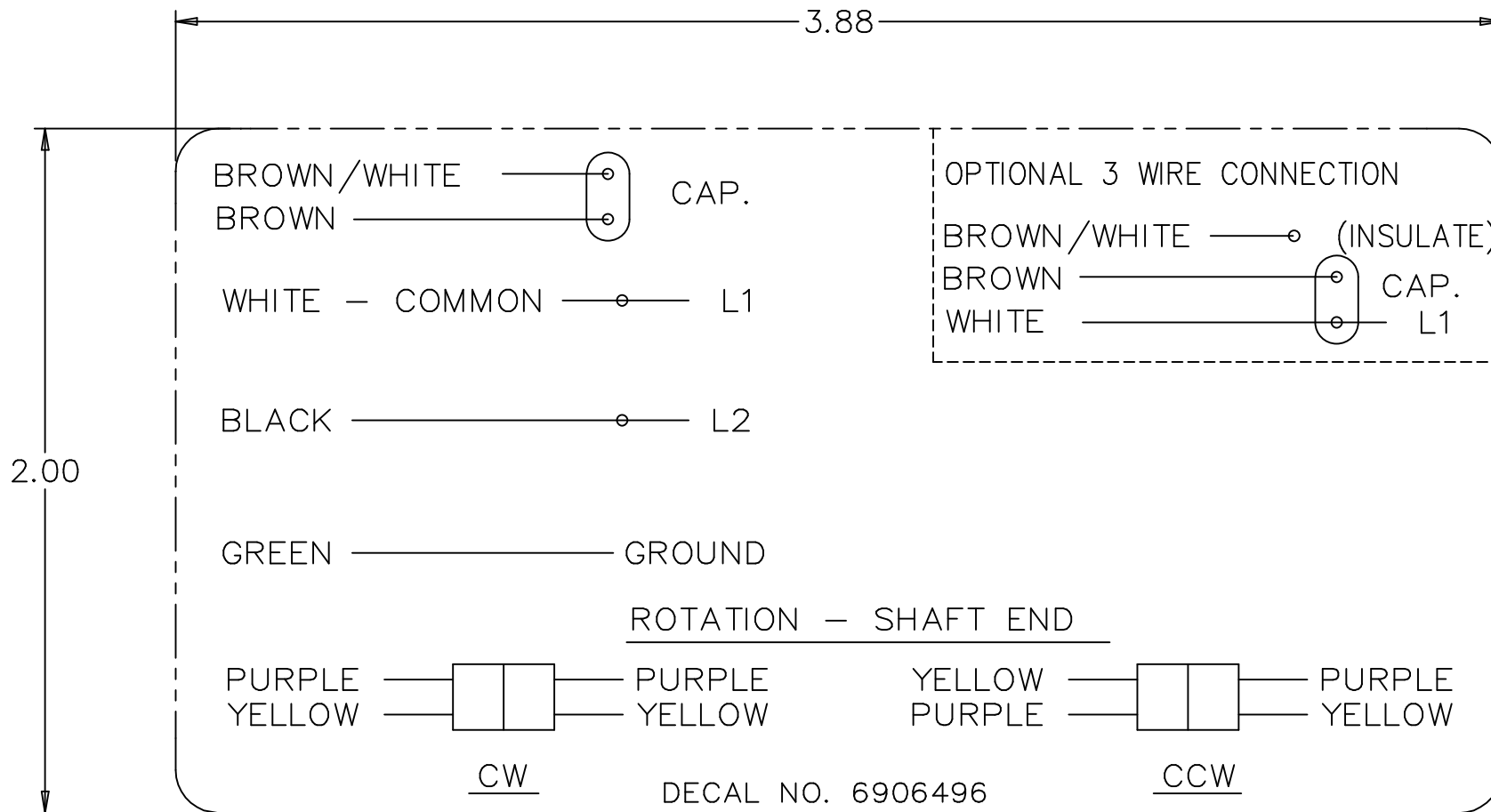
LEAD DESCRIPTION:

- 1 BLACK, AND 1 WHITE LEAD WITH .50 BARE WIRE STRIP 30.00" LONG.
- 2 BROWN CAPACITOR LEADS WITH .25 FLAG-TYPE QUICK CONNECTS 30.00" LONG BROWN WITH WHITE MARK IS COMMON TO WHITE LEAD.
- REVERSING LEADS ARE MOLDED INTO MATING PULL APART PLUGS 1 PURPLE, AND 1 YELLOW PER PLUG 5.00" LONG.
- GROUND LEAD WITH TERM. FOR #10 SCREW 12.00" LONG.



DASH	FRAME	C	A
375	48Y	11.19	4.25
400	48Y	11.44	4.50
450	48Y	11.94	5.00
475	48Y	12.19	5.25
500	48Y	12.44	5.50

NO.	REVISION	BY & DATE	CHK	ANG	±7'30"	FINISH	TOLERANCES UNLESS SPECIFIED		REGAL™ Regal Beloit America, Inc.	TITLE OUTLINE	MAT'L.	PREV		
							DEC.	INCHES						
8	UPDATED DRAWING	TJW 03/30/2007										DRAWN RM 03-17-1992		
7	REDRAWN IN AUTOCAD	TAT 07-22-2004	ML	.X	±.1							CHK ML 03-17-1992		
6	REVISED LEAD LENGTHS	CN 21148 BLR 09-28-1995		.XX	±.03							APPD GK 03-17-1992		
5	STUD EXT. WAS 1.71/1.58	CN 6402 RM 08-31-1992		.XXX	±.005							SCALE 3=8		
4	REDRAWN AND UPDATED AN CADD	RM 03-17-1992		.XXXX	±.0005							REF		
												FMF		
												PREV		
THIS DRAWING IN DESIGN AND DETAIL IS OUR PROPERTY AND MUST NOT BE USED EXCEPT IN CONNECTION WITH OUR WORK ALL RIGHTS OF DESIGN AND INVENTION ARE RESERVED THIS IS AN ELECTRONICALLY GENERATED DOCUMENT - DO NOT SCALE THIS PRINT							RFP	CAD FILE ss73901			SIZE A	DRAWING NO. SS73901	PAGE OF 8	REV. 8



				TOLERANCES UNLESS SPECIFIED		REGAL-BELOIT <i>Motor Technologies</i>	DRAWN MRB 04-16-1998		
				DEC.	INCHES		CHK	ML 04-22-1998	
4	ADDED DIM. TO DECAL	RDH 09/22/2003	ML	.X	±.1	TITLE CONNECTION DECAL	APPD	GK 04-22-1998	
3	REMOVED 'MARATHON ELECTRIC' CN 35106	DRS 05-01-2002	TOM	.XX	±.02		SCALE	1=1	
2	PART NAME WAS CONNECTION DIAGRAM CN 25669	MRB 04-23-1998		.XXX	±.005		REF		
1	NEW DRAWING CN 25669	MRB 04-22-1998		.XXXX	±.0005	MAT'L.	FMF		
NO.	REVISION	BY & DATE	CHK	ANG	±7'30"	FINISH	PREV		
THIS DRAWING IN DESIGN AND DETAIL IS OUR PROPERTY AND MUST NOT BE USED EXCEPT IN CONNECTION WITH OUR WORK ALL RIGHTS OF DESIGN AND INVENTION ARE RESERVED THIS IS AN ELECTRONICALLY GENERATED DOCUMENT - DO NOT SCALE THIS PRINT			RFP	CAD FILE 6906496		SIZE	DRAWING NO.	PAGE OF	REV.
			DIST	WP		A	6906496		4

Uncontrolled Copy

** Subject to change without notice.