

PRODUCT INFORMATION PACKET

marathon[®]
Motors

Model No: 048A34SU1001

Catalog No: O701

0.14 HP Single Phase HVAC/R Motor, 1 phase, 3600 RPM, 115 V, 48Z Frame, Semi Enclosed
HVAC/R Single Phase Motors



Regal and Marathon are trademarks of Regal Beloit Corporation or one of its affiliated companies.
©2019 Regal Beloit Corporation, All Rights Reserved. MC017097E

REGAL



Nameplate Specifications

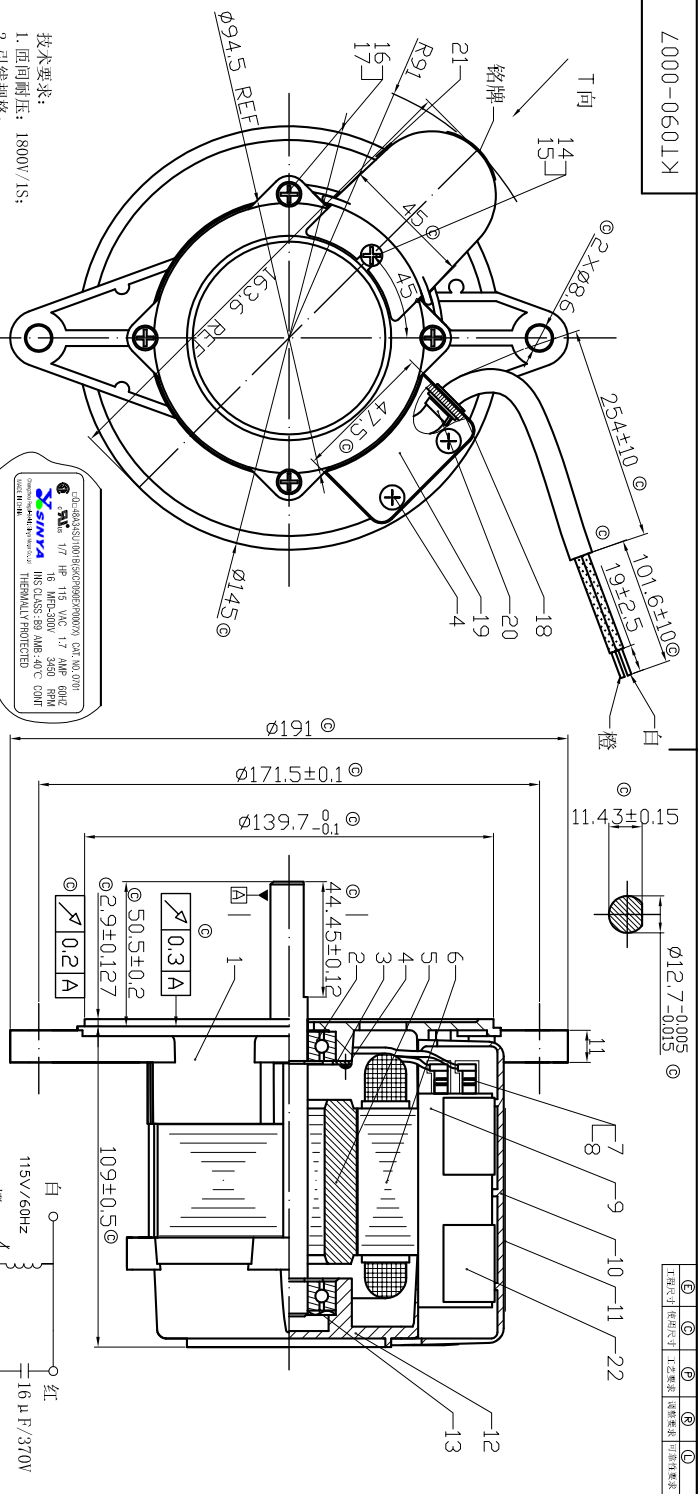
Output HP	0.14 Hp	Output KW	0.11 kW
Frequency	60 Hz	Voltage	115 V
Current	1.7 A	Speed	3250 rpm
Service Factor	1	Phase	1
Efficiency	67 %	Power Factor	63
Duty	Continuous	Insulation Class	B
Design Code	No Design Code	KVA Code	A
Frame	48Z	Enclosure	Semi Enclosed
Thermal Protection	Automatic	Ambient Temperature	40 °C
Drive End Bearing Size	6201	Opp Drive End Bearing Size	6201
UL	Recognized	CSA	Y
CE	Y	IP Code	10

Technical Specifications

Electrical Type	Permanent Split Capacitor	Starting Method	Across The Line
Poles	2	Rotation	Selective Counterclockwise
Mounting	Round	Motor Orientation	Horizontal
Drive End Bearing	Ball	Opp Drive End Bearing	Ball
Frame Material	Rolled Steel	Shaft Type	Single Special Extension
Overall Length	6.27 in	Frame Length	3.54 in
Shaft Diameter	0.500 in	Shaft Extension	1.98 in
Assembly/Box Mounting	F1 Only		

This is an uncontrolled document once printed or downloaded and is subject to change without notice. Date Created:01/11/2019

1000-0601K



技术要求:
 1. 相间耐压: 1800V/1S;
 2. 引线规格:
 U-S-10W-18AWG/2C;
 3. 转向出轴逆时针;
 4. 常态绝缘电阻≥100MΩ;
 5. 电气强度≥2100V/1S, 泄漏电流2mA;
 6. 其他性能满足GB/T 5171-2002和GB12350-2000;
 7. 铭牌及客户标识粘贴方向及位置按图纸要求贴, 需保持整洁、清晰。
 8. 电容外端必须包30×100×5的PE保护帽(满足ROHS、阻燃要求)两条。

序号	名称	规格	数量	备注	审核	批准
22	PE保护帽	30×100×5	2张			
21	合格证		1张			
20	扎线袋	5×120	1只			
19	TY403-C007		1只			
18	TY305-A017		4只			
17	弹簧垫圈	Φ4	4只			
16	十字槽紧定螺钉	M4×80 大扁头	1只			
15	十字槽紧定螺钉	Φ4	1只			
14	十字槽紧定螺钉	M4×8 大扁头	1只			
13	垫片	Φ32	1只			
12	TY404-0003		1只			
11	DIG90-0002		1只			
10	MP90-0002		1只			
9	TY403-B005		1只			
8	TY30E-0015		2只			
7	端子	16µF/370V	2只			
6	端子	KET-HH-L-25-3.0	2只			
5	端子	KET-S1730190-2	2只			
4	端子		2只			
3	端子		2只			
2	端子		2只			
1	端子		2只			

Y90-100-2A
 总装图
 KT090-0007
 第 1 张 共 1 张
 REV 2
 苏州里支勃劳伊特
 新亚电机有限公司