

PRODUCT INFORMATION PACKET

marathon[®]
Motors

Model No: 048A17T72
Catalog No: X301
1/6,1625,TEAO,48Y,1/60/115
Direct Drive Blower and Unit Heater



Regal and Marathon are trademarks of Regal Beloit Corporation or one of its affiliated companies.

©2018 Regal Beloit Corporation, All Rights Reserved. MC017097E

REGAL[®]

Product Information Packet: Model No: 048A17T72, Catalog No:X301 1/6,1625,TEAO,48Y,1/60/115

Nameplate Specifications

| | | | |
|----------------------------|----------------------------------|------------------------|----------------------------------|
| Output HP | 0.17 Hp | Output KW | 0.13 kW |
| Frequency | 60 Hz | Voltage | 115 V |
| Current | 2.2 A | Speed | 1625 rpm |
| Service Factor | 1 | Phase | 1 |
| Efficiency | 55 % | Duty | Continuous |
| Insulation Class | B | Design Code | NO DESIGN CODE |
| KVA Code | C | Frame | 48Z |
| Enclosure | Totally Enclosed Air Over | Overload Protector | Automatic Lock Rotor Only |
| Ambient Temperature | 40 °C | Drive End Bearing Size | 6203 |
| Opp Drive End Bearing Size | 6203 | UL | Recognized |
| CSA | Y | CE | N |
| IP Code | 43 | | |

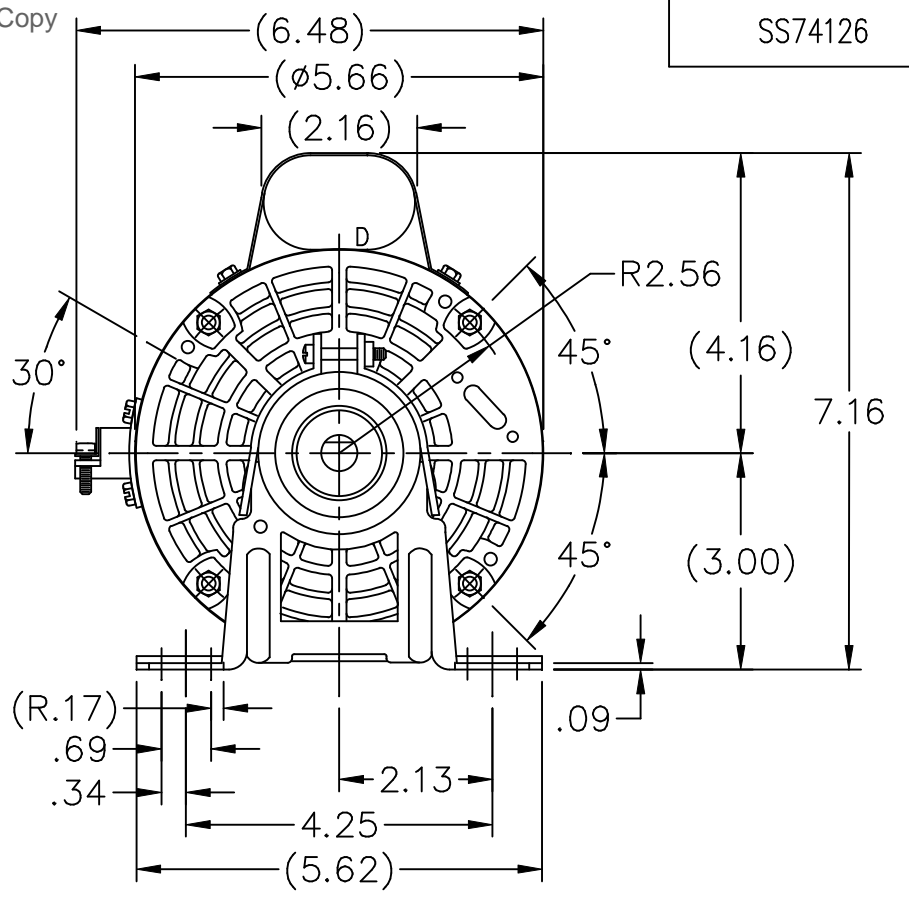
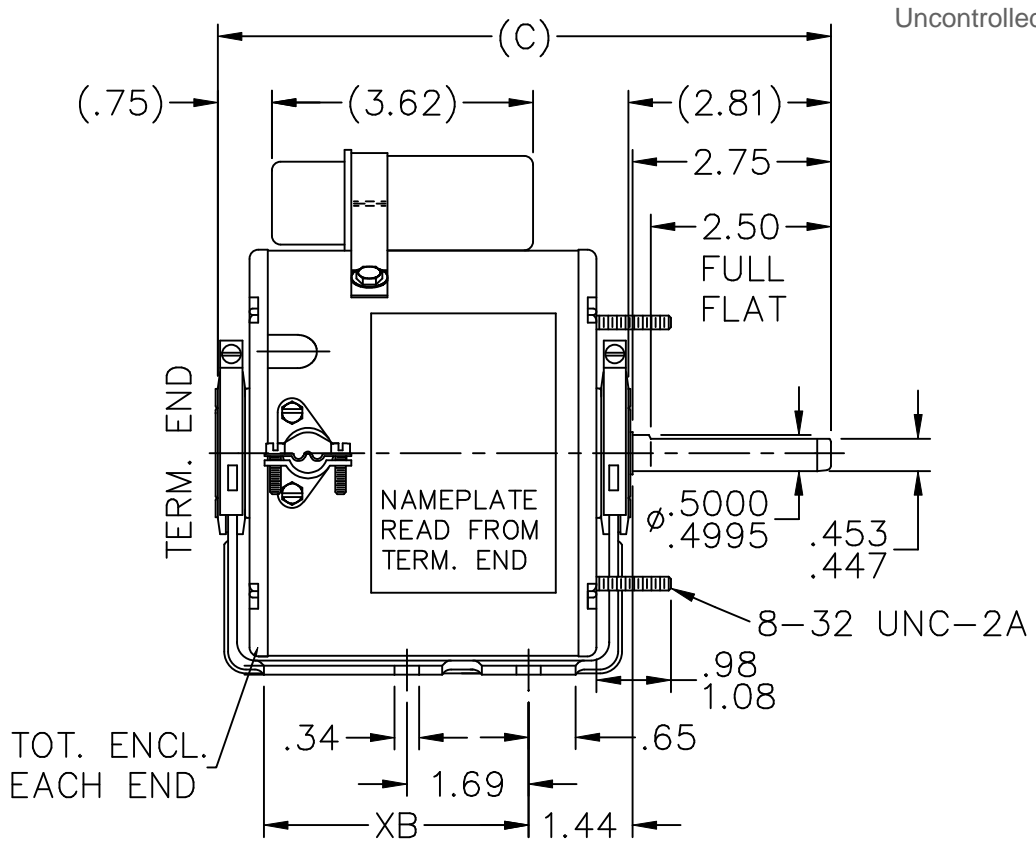
Technical Specifications

| | | | |
|-----------------------|--|-----------------------|-----------------------------------|
| Electrical Type | Permanent Split Capacitor | Starting Method | Across The Line |
| Poles | 4 | Rotation | Selective Counterclockwise |
| Mounting | Resilient Base - Extended Studs | Motor Orientation | Horizontal |
| Drive End Bearing | Ball | Opp Drive End Bearing | Ball |
| Frame Material | Rolled Steel | Shaft Type | Single Special Extension |
| Overall Length | 9.00 in | Frame Length | 4.75 in |
| Shaft Diameter | 0.500 in | Shaft Extension | 2.81 in |
| Assembly/Box Mounting | F1 Only | | |
| Outline Drawing | A-SS74126-475 | Connection Diagram | 9513130 |

This is an uncontrolled document once printed or downloaded and is subject to change without notice. Date Created: 10/08/2018

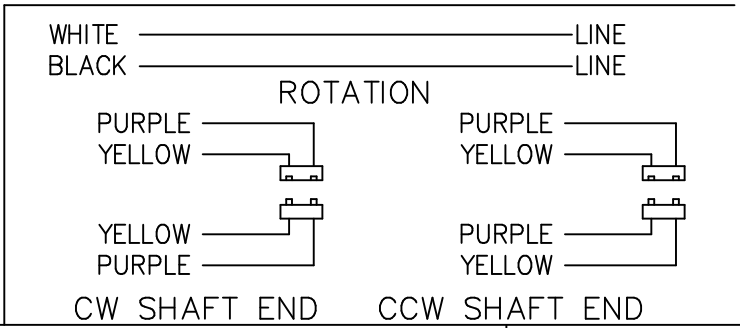
Uncontrolled Copy

SS74126



LEAD DESCRIPTION:
 1 BLACK AND 1 WHITE LEAD WITH .50 BARE WIRE STRIP EXIT MOTOR THROUGH CONDUIT CONNECTOR WITH ADJUSTABLE THROAT OPENING. 35.00-37.00" LONG PURPLE AND YELLOW REVERSING LEADS MOLDED INTO MATING PULL-APART PLUGS. 4.00-6.00 LONG.

| DASH | C | XB |
|------|------|------|
| 425 | 8.50 | 3.67 |
| 475 | 9.00 | 4.17 |



| NO. | REVISION | BY & DATE | CHK | TOLERANCES UNLESS SPECIFIED | |
|-----|---------------------------------|----------------|-----|-----------------------------|--------|
| | | | | DEC. | INCHES |
| | | | | .X | ±.1 |
| 4 | REVISED MOUNTING HOLE LOCATIONS | RJW 07-12-2005 | ML | .XX | ±.03 |
| 3 | REDRAWN IN AUTOCAD | TAT 05-19-2005 | ML | .XXX | ±.005 |
| 2 | REDRAWN ON CADD - NO CHANGE | MRB 04-01-1998 | | .XXXX | ±.0005 |
| | | | | ANG | ±7'30" |

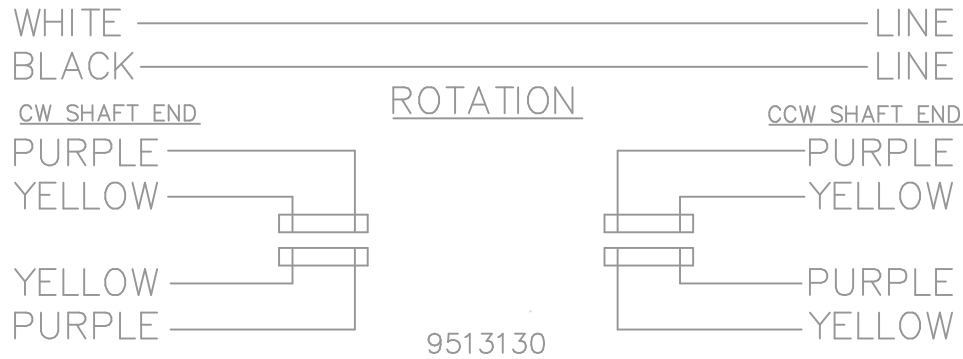


| |
|----------------------|
| DRAWN MRB 03-10-1998 |
| CHK ML 04-01-1998 |
| APPD GK 04-01-1998 |
| SCALE 3=8 |
| REF |
| FMF |
| PREV |

| | | | | | | |
|--|---------|------------------|--------|---------------------|---------|--------|
| THIS DRAWING IN DESIGN AND DETAIL IS OUR PROPERTY AND MUST NOT BE USED EXCEPT IN CONNECTION WITH OUR WORK ALL RIGHTS OF DESIGN AND INVENTION ARE RESERVED THIS IS AN ELECTRONICALLY GENERATED DOCUMENT - DO NOT SCALE THIS PRINT | RFP | CAD FILE ss74126 | SIZE A | DRAWING NO. SS74126 | PAGE OF | REV. 4 |
| | DIST WP | | | | | |

7/26/2007 2:23:28 PM -

Dealers Industrial Equipment -- Visit <https://DealersElectric.com> or call (908) 688-1966 for all of your electric motor & VFD needs!



| | | | | | | | | | | |
|--|--------------------|----------------|-----|-----------------------------|------------------|-------------------------|----------------------|-------------|---------|------|
| | | | | TOLERANCES UNLESS SPECIFIED | | | DRAWN TOM 09/19/1988 | | | |
| | | | | DEC. | INCHES | | CHK | | | |
| | | | | .X | ±.1 | | APPD MS 09/20/1988 | | | |
| | | | | .XX | ±.02 | | SCALE 1=1 | | | |
| 3 | REDRAWN IN AUTOCAD | JMS 03/11/2005 | | .XXX | ±.005 | TITLE CONNETION DIAGRAM | | | REF | |
| 2 | NEW DRAWING | TOM 09/19/1988 | | .XXXX | ±.0005 | MAT'L. | | | FMF | |
| NO. | REVISION | BY & DATE | CHK | ANG | ±7'30" | FINISH | | | PREV | |
| THIS DRAWING IN DESIGN AND DETAIL IS OUR PROPERTY AND MUST NOT BE USED EXCEPT IN CONNECTION WITH OUR WORK ALL RIGHTS OF DESIGN AND INVENTION ARE RESERVED THIS IS AN ELECTRONICALLY GENERATED DOCUMENT - DO NOT SCALE THIS PRINT | | | | RFP | CAD FILE 9513130 | | SIZE | DRAWING NO. | PAGE OF | REV. |
| | | | | DIST | WP | A | 9513130 | | 3 | |

9/29/2008 10:45:52 PM

CERTIFICATION DATA SHEET

Model#: 48A17T72 J WINDING#: PE484158 NONE 1
CONN. DIAGRAM: 9513130 ASSEMBLY: F1 ONLY
OUTLINE: A-SS74126-475

TYPICAL MOTOR PERFORMANCE DATA

Table with 8 columns: HP, KW, SYNC. RPM, F.L. RPM, FRAME, ENCLOSURE, KVA CODE, DESIGN. Includes data for 1/6 HP motor and performance metrics like EFFICIENCY, TORQUE, and SOUND PRESSURE.

*** SUPPLEMENTAL INFORMATION ***

Table with 9 columns: DE BRACKET TYPE, ODE BRACKET TYPE, MOUNT TYPE, ORIENTATION, SEVERE DUTY, HAZARDOUS LOCATION, DRIP COVER, SCREENS, PAINT.

Table with 8 columns: BEARINGS (DE, OPE), GREASE, SHAFT TYPE, SPECIAL DE, SPECIAL ODE, SHAFT MATERIAL, FRAME MATERIAL.

Table with 7 columns: THERMO-PROTECTORS (THERMOSTATS, PROTECTORS, WDG RTDs, BRG RTDs), THERMISTORS, CONTROL, SPACE /n HEATERS.

If Inverter equals NONE, contact factory for further information

*
N
O
T
E
S
*

Table with 2 columns: Inverter torque and speed range (NONE), Encoder (NONE), Brake (NONE), and other specifications.

Uncontrolled Copy

** Subject to change without notice.