

PRODUCT INFORMATION PACKET

marathon[®]
Motors

Model No: 048A17T2007
Catalog No: X922
1/2,1725,TENV,48Z,1/60/115/230
Pedestal Fan



Regal and Marathon are trademarks of Regal Beloit Corporation or one of its affiliated companies.
©2018 Regal Beloit Corporation, All Rights Reserved. MC017097E

REGAL[®]

Nameplate Specifications

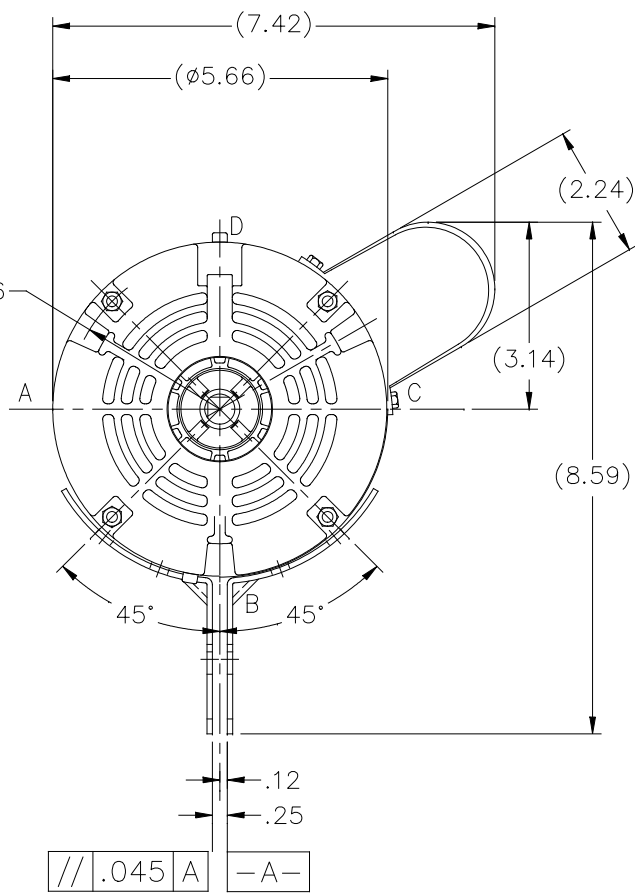
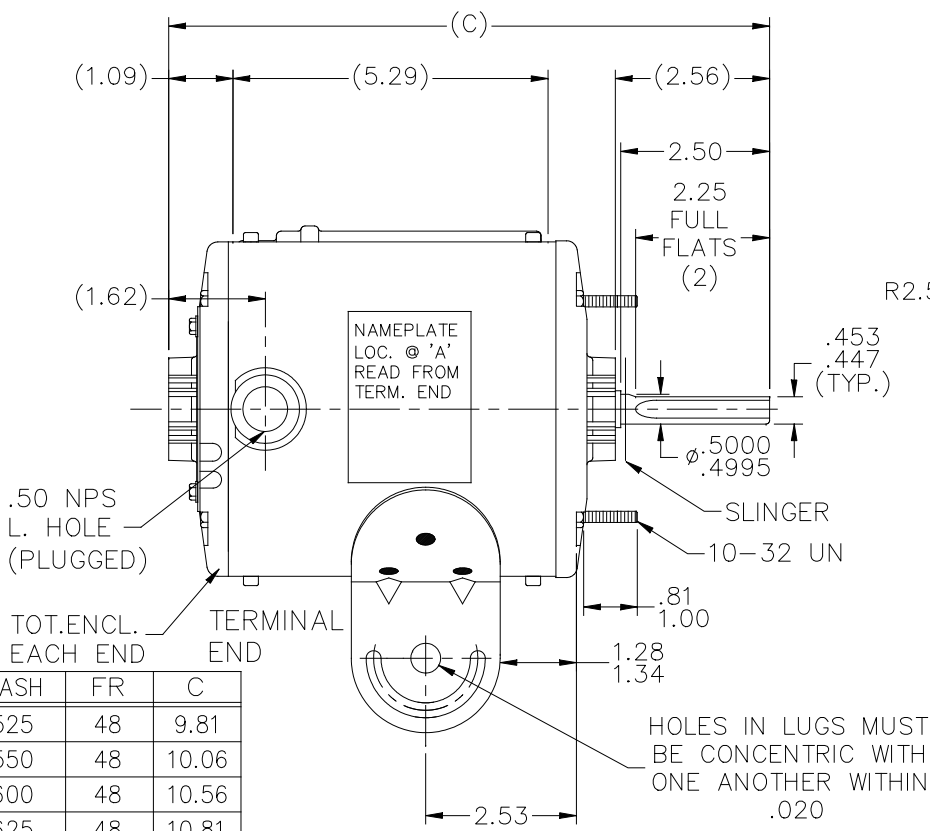
Output HP	0.50 Hp	Output KW	0.37 kW
Frequency	60 Hz	Voltage	115/230 V
Current	5.4/2.7 A	Speed	1625 rpm
Service Factor	1	Phase	1
Efficiency	72 %	Duty	Continuous
Insulation Class	B	Design Code	NO DESIGN CODE
KVA Code	B	Frame	48Z
Enclosure	Totally Enclosed Air Over	Overload Protector	Automatic Lock Rotor Only
Ambient Temperature	40 °C	Drive End Bearing Size	6203
Opp Drive End Bearing Size	6203	UL	Recognized
CSA	Y	CE	N
IP Code	43		

Technical Specifications

Electrical Type	Permanent Split Capacitor	Starting Method	Across The Line
Poles	4	Rotation	Selective Counterclockwise
Mounting	Resilient Base	Motor Orientation	Horizontal
Drive End Bearing	Ball	Opp Drive End Bearing	Ball
Frame Material	Rolled Steel	Shaft Type	Single Special Extension
Overall Length	11.31 in	Frame Length	6.75 in
Shaft Diameter	0.500 in	Shaft Extension	2.56 in
Assembly/Box Mounting	F1 Only		
Outline Drawing	A-SS403014-675	Connection Diagram	A-EE9057T

This is an uncontrolled document once printed or downloaded and is subject to change without notice. Date Created: 10/08/2018

SS403014



DASH	FR	C
525	48	9.81
550	48	10.06
600	48	10.56
625	48	10.81
650	48	11.06
675	48	11.31
575	48	10.31

HOLES IN LUGS MUST BE CONCENTRIC WITH ONE ANOTHER WITHIN .020

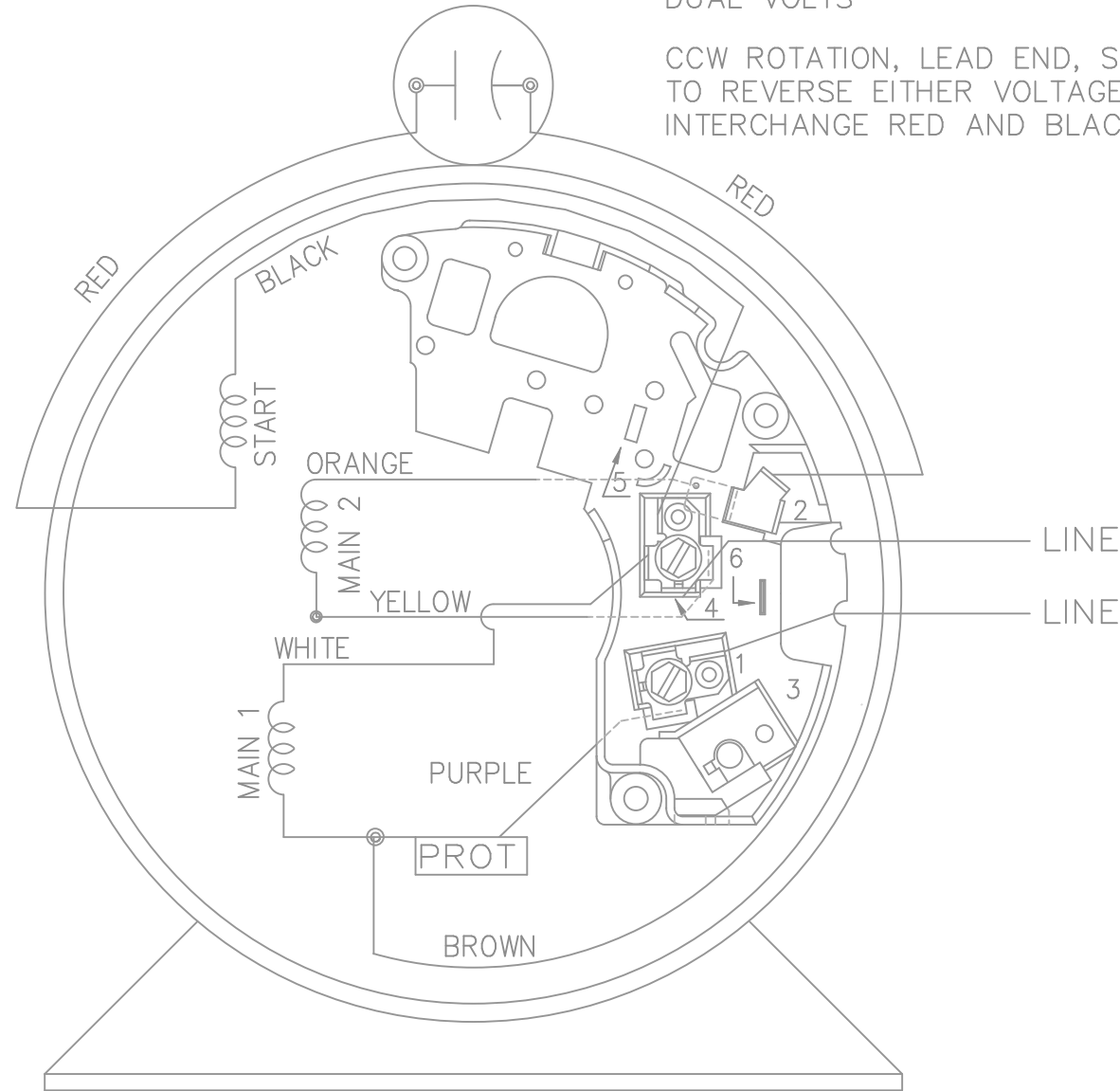
TOTALLY ENCLOSED MOTOR FULLY GASKETED

FINISH: // .045 A -A-

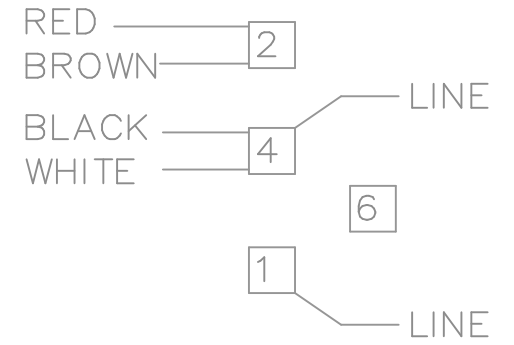
NO.	REVISION	BY & DATE	CHK	ANG	TOLERANCES UNLESS SPECIFIED		DRAWN BJV 11-22-1999						
					DEC.	INCHES							
4	ADDED DASH 575	MVG 02/21/18	SM	.X	±.1	Regal Beloit America, Inc.	CHK ML 11-23-1999						
3	REDRAWN IN AUTOCAD	TAT 10-15-2004	ML	.XX	±.03		TITLE OUTLINE 48 FR.	APPD SAT 11-24-1999					
2	ROT. CAP. 60° & ADD'D DRAIN HOLE PLUGS MU27937	NJS 11-03-2000		.XXX	±.005	MAT'L.	SCALE 3=8						
1	NEW DRAWING MU27937	BJW 11-24-1999		.XXXX	±.0005		REF						
							FMF						
							PREV						
THIS DRAWING IN DESIGN AND DETAIL IS OUR PROPERTY AND MUST NOT BE USED EXCEPT IN CONNECTION WITH OUR WORK ALL RIGHTS OF DESIGN AND INVENTION ARE RESERVED THIS IS AN ELECTRONICALLY GENERATED DOCUMENT - DO NOT SCALE THIS PRINT							RFP	CAD FILE ss403014	SIZE A	DRAWING NO. SS403014	PAGE 3	OF 8	REV. 4
							DIST WP						

DUAL VOLTS

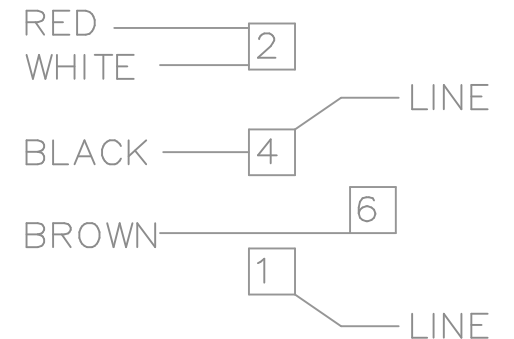
CCW ROTATION, LEAD END, SHOWN TO REVERSE EITHER VOLTAGE INTERCHANGE RED AND BLACK LEADS.



LOW VOLTAGE



HIGH VOLTAGE



VIEW OF TERMINAL END

			TOLERANCES UNLESS SPECIFIED			DRAWN RM 02-21-1992				
			DEC.	INCHES		CHK ML 09-21-1992				
			.X	± -		APPD GK 09-23-1992				
3	REDRAWN IN AUTOCAD	NJS	.XX	± -	TITLE CONNECTION DIAGRAM	SCALE 1=1				
2	ADDED ROTATION CN 23975-249	MH 04-07-1998	.XXX	± -		REF				
1	NEW DRAWING CN 14642	RM 09-23-1992	.XXXX	± -	MAT'L.	FMF				
NO.	REVISION	BY & DATE	CHK	ANG	FINISH	PREV				
THIS DRAWING IN DESIGN AND DETAIL IS OUR PROPERTY AND MUST NOT BE USED EXCEPT IN CONNECTION WITH OUR WORK ALL RIGHTS OF DESIGN AND INVENTION ARE RESERVED THIS IS AN ELECTRONICALLY GENERATED DOCUMENT - DO NOT SCALE THIS PRINT			RFP		CAD FILE EE9057T	SIZE A	DRAWING NO. EE9057T	PAGE	OF	REV. 3
			DIST	WP						

