

PRODUCT INFORMATION PACKET

marathon[®]
Motors

Model No: 048A17T2006
Catalog No: X921
1/3,1725,TENV,48Z,1/60/115/230
Pedestal Fan



Regal and Marathon are trademarks of Regal Beloit Corporation or one of its affiliated companies.
©2018 Regal Beloit Corporation, All Rights Reserved. MC017097E

REGAL

Nameplate Specifications

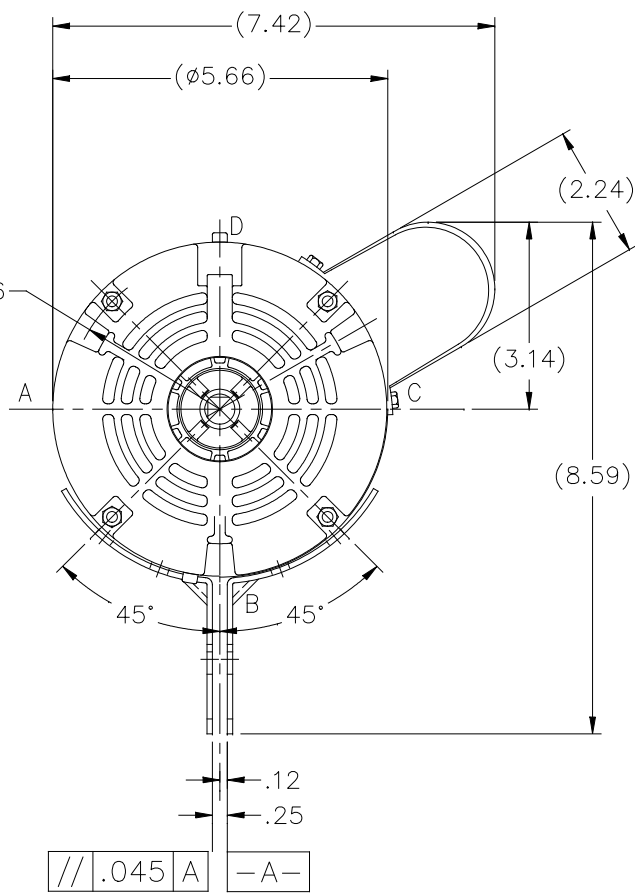
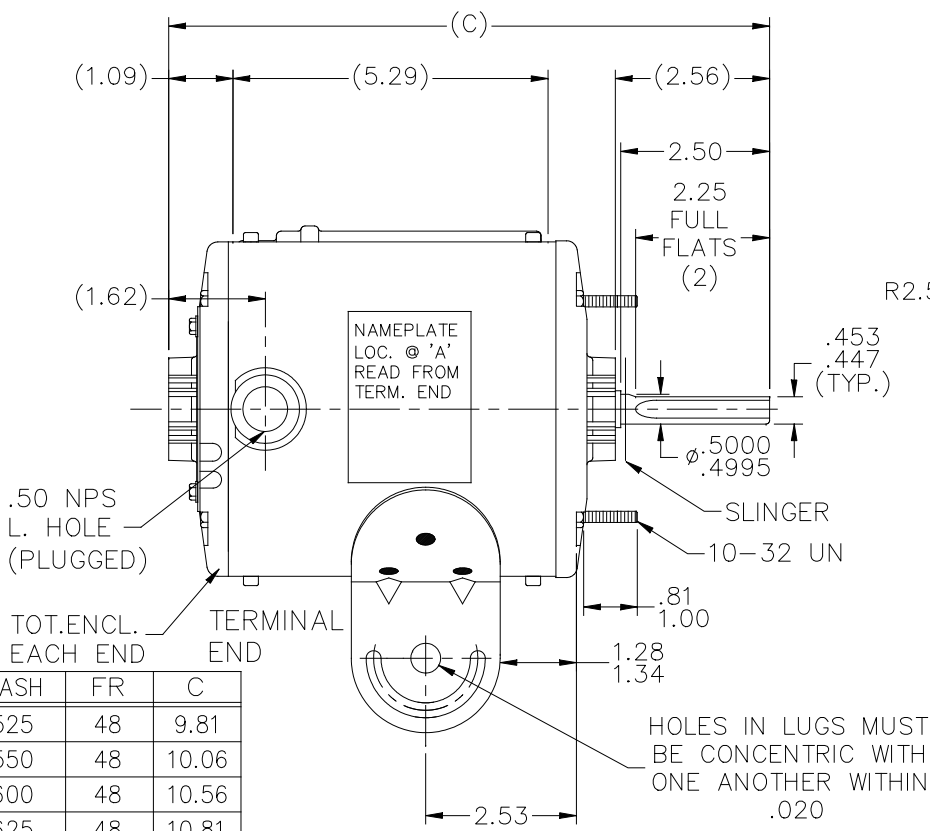
| | | | |
|----------------------------|--|------------------------|----------------------------------|
| Output HP | 0.33 Hp | Output KW | 0.25 kW |
| Frequency | 60 Hz | Voltage | 115/230 V |
| Current | 3.8/1.9 A | Speed | 1625 rpm |
| Service Factor | 1 | Phase | 1 |
| Efficiency | 66 % | Duty | Continuous |
| Insulation Class | B | Design Code | NO DESIGN CODE |
| KVA Code | D | Frame | 48Z |
| Enclosure | Totally Enclosed Non Ventilated | Overload Protector | Automatic Lock Rotor Only |
| Ambient Temperature | 40 °C | Drive End Bearing Size | 6203 |
| Opp Drive End Bearing Size | 6203 | UL | Recognized |
| CSA | Y | CE | N |
| IP Code | 43 | | |

Technical Specifications

| | | | |
|-------------------|----------------------------------|-----------------------|-----------------------------------|
| Electrical Type | Permanent Split Capacitor | Starting Method | Across The Line |
| Poles | 4 | Rotation | Selective Counterclockwise |
| Mounting | Round - Swing Arm | Motor Orientation | Horizontal |
| Drive End Bearing | Ball | Opp Drive End Bearing | Ball |
| Frame Material | Rolled Steel | Shaft Type | Single Special Extension |
| Overall Length | 11.06 in | Shaft Diameter | 0.500 in |
| Shaft Extension | 2.5 in | Assembly/Box Mounting | F1 Only |
| Outline Drawing | A-SS403014-650 | Connection Diagram | A-EE9057T |

This is an uncontrolled document once printed or downloaded and is subject to change without notice. Date Created: 10/08/2018

SS403014



| DASH | FR | C |
|------|----|-------|
| 525 | 48 | 9.81 |
| 550 | 48 | 10.06 |
| 600 | 48 | 10.56 |
| 625 | 48 | 10.81 |
| 650 | 48 | 11.06 |
| 675 | 48 | 11.31 |
| 575 | 48 | 10.31 |

HOLES IN LUGS MUST BE CONCENTRIC WITH ONE ANOTHER WITHIN .020

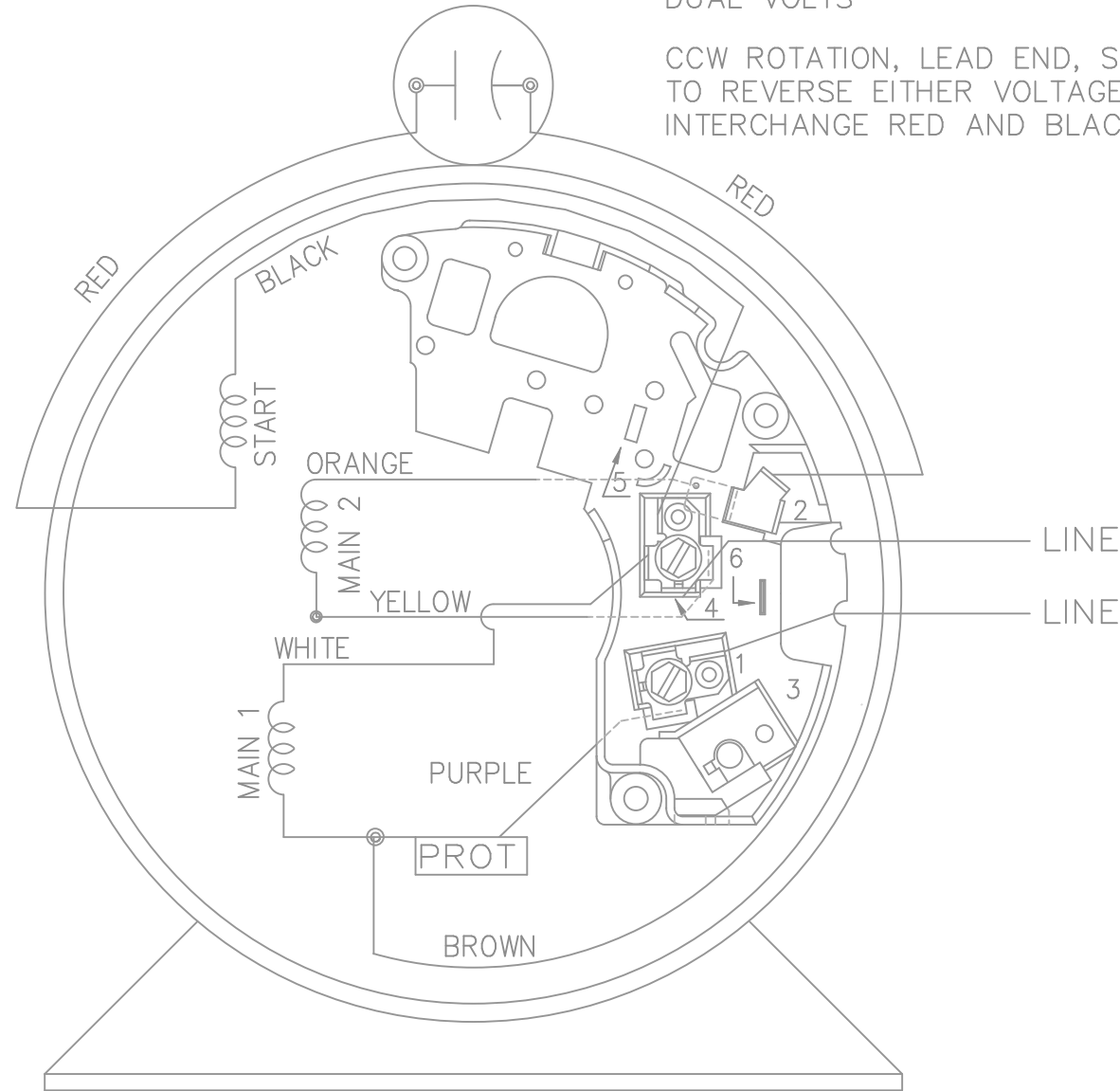
TOTALLY ENCLOSED MOTOR FULLY GASKETED

FINISH: // .045 A, -A-

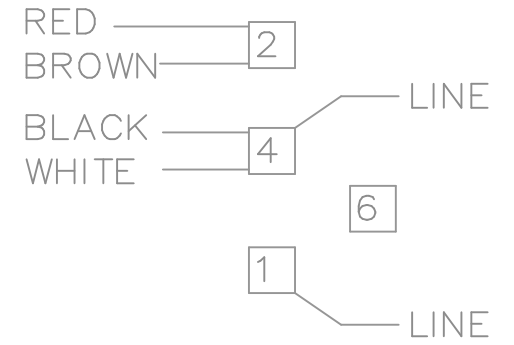
| | | TOLERANCES UNLESS SPECIFIED | | REGAL™ Regal Beloit America, Inc. | | DRAWN BJV 11-22-1999 | |
|--|--|-----------------------------|--------------|-----------------------------------|-------|----------------------|-------------------------------------|
| | | DEC. | INCHES | | | CHK ML 11-23-1999 | |
| 4 | ADDED DASH 575 | MVG 02/21/18 | SM .X ±.1 | TITLE OUTLINE 48 FR. | | APPD SAT 11-24-1999 | |
| 3 | REDRAWN IN AUTOCAD | TAT 10-15-2004 | ML .XX ±.03 | | | SCALE 3=8 | |
| 2 | ROT. CAP. 60° & ADD'D DRAIN HOLE PLUGS MU27937 | NJS 11-03-2000 | .XXX ±.005 | MAT'L. | | REF | |
| 1 | NEW DRAWING MU27937 | BJW 11-24-1999 | .XXXX ±.0005 | | | FMF | |
| NO. | REVISION | BY & DATE | CHK | ANG | ±'30" | PREV | |
| THIS DRAWING IN DESIGN AND DETAIL IS OUR PROPERTY AND MUST NOT BE USED EXCEPT IN CONNECTION WITH OUR WORK ALL RIGHTS OF DESIGN AND INVENTION ARE RESERVED THIS IS AN ELECTRONICALLY GENERATED DOCUMENT - DO NOT SCALE THIS PRINT | | | RFP | CAD FILE ss403014 | | SIZE A | DRAWING NO. PAGE OF REV. SS403014 4 |
| | | | DIST | WP | | | |

DUAL VOLTS

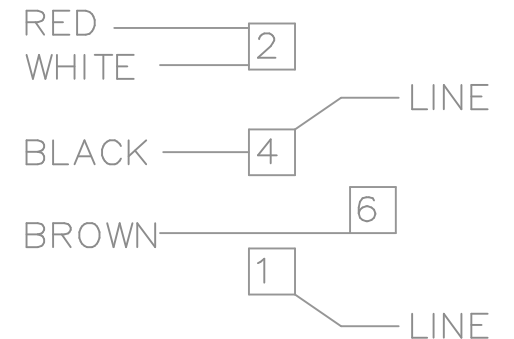
CCW ROTATION, LEAD END, SHOWN TO REVERSE EITHER VOLTAGE INTERCHANGE RED AND BLACK LEADS.



LOW VOLTAGE



HIGH VOLTAGE



VIEW OF TERMINAL END

| | | | TOLERANCES UNLESS SPECIFIED | | | DRAWN RM 02-21-1992 | | | | |
|--|-----------------------------|---------------|-----------------------------|--------|--------------------------|---------------------|---------------------|------|----|--------|
| | | | DEC. | INCHES | | CHK ML 09-21-1992 | | | | |
| | | | .X | ± - | | APPD GK 09-23-1992 | | | | |
| 3 | REDRAWN IN AUTOCAD | NJS | .XX | ± - | TITLE CONNECTION DIAGRAM | SCALE 1=1 | | | | |
| 2 | ADDED ROTATION CN 23975-249 | MH 04-07-1998 | .XXX | ± - | | REF | | | | |
| 1 | NEW DRAWING CN 14642 | RM 09-23-1992 | .XXXX | ± - | MAT'L. | FMF | | | | |
| NO. | REVISION | BY & DATE | CHK | ANG | FINISH | PREV | | | | |
| THIS DRAWING IN DESIGN AND DETAIL IS OUR PROPERTY AND MUST NOT BE USED EXCEPT IN CONNECTION WITH OUR WORK ALL RIGHTS OF DESIGN AND INVENTION ARE RESERVED THIS IS AN ELECTRONICALLY GENERATED DOCUMENT - DO NOT SCALE THIS PRINT | | | RFP | | CAD FILE EE9057T | SIZE A | DRAWING NO. EE9057T | PAGE | OF | REV. 3 |
| | | | DIST | WP | | | | | | |

