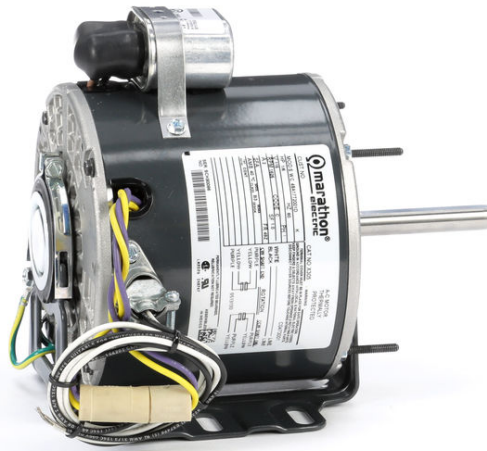


# PRODUCT INFORMATION PACKET

**marathon**<sup>®</sup>  
Motors

Model No: 048A17T2001  
Catalog No: X305  
1/6,1625,TEAO,48Y,1/60/115  
Direct Drive Blower and Unit Heater



Regal and Marathon are trademarks of Regal Beloit Corporation or one of its affiliated companies.  
©2018 Regal Beloit Corporation, All Rights Reserved. MC017097E

**REGAL**<sup>®</sup>

**Nameplate Specifications**

Output HP	<b>0.17 Hp</b>	Output KW	<b>0.13 kW</b>
Frequency	<b>60 Hz</b>	Voltage	<b>115 V</b>
Current	<b>2.2 A</b>	Speed	<b>1625 rpm</b>
Service Factor	<b>1</b>	Phase	<b>1</b>
Efficiency	<b>55 %</b>	Duty	<b>Continuous</b>
Insulation Class	<b>B</b>	Design Code	<b>NO DESIGN CODE</b>
KVA Code	<b>C</b>	Frame	<b>48Z</b>
Enclosure	<b>Totally Enclosed Air Over</b>	Overload Protector	<b>Automatic Lock Rotor Only</b>
Ambient Temperature	<b>40 °C</b>	Drive End Bearing Size	<b>6203</b>
Opp Drive End Bearing Size	<b>6203</b>	UL	<b>Recognized</b>
CSA	<b>Y</b>	CE	<b>N</b>
IP Code	<b>43</b>		

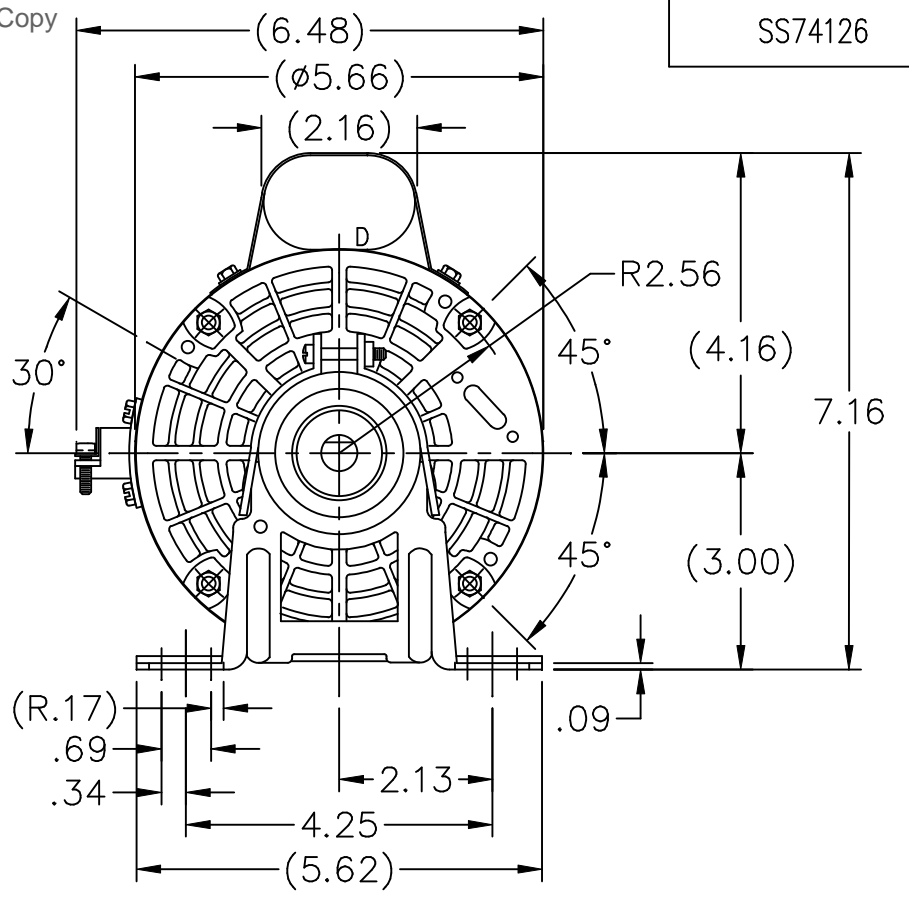
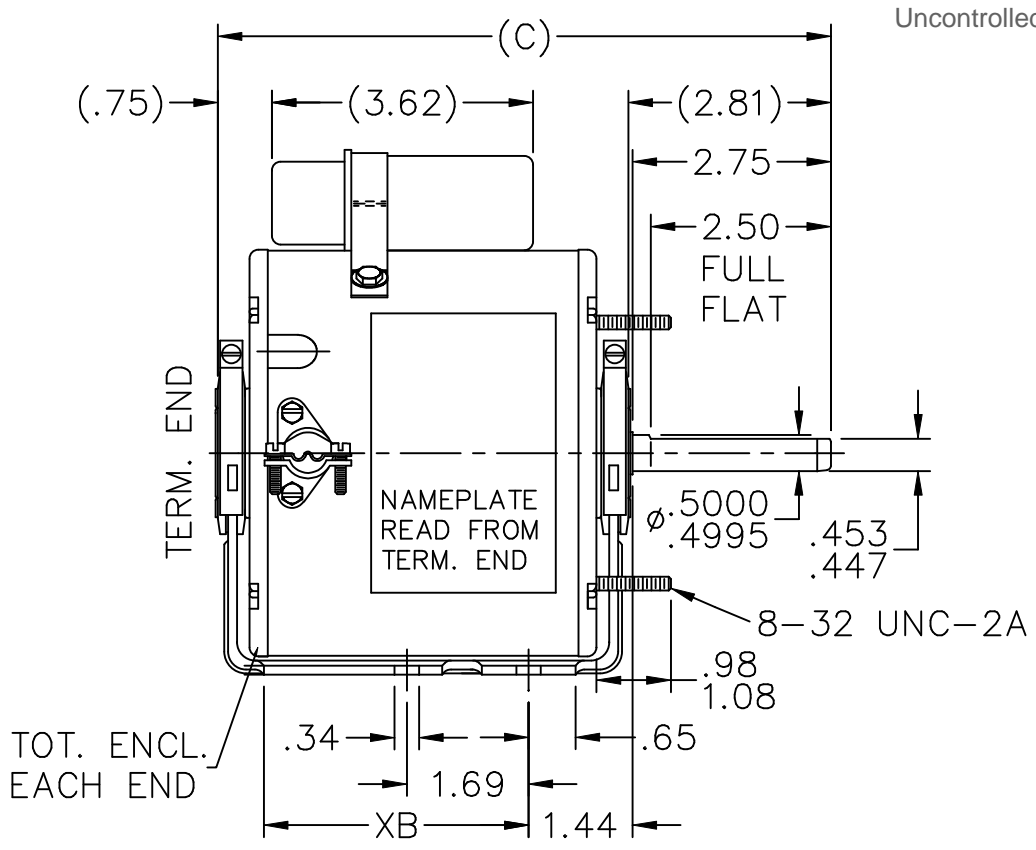
**Technical Specifications**

Electrical Type	<b>Permanent Split Capacitor</b>	Starting Method	<b>Across The Line</b>
Poles	<b>4</b>	Rotation	<b>Selective Counterclockwise</b>
Mounting	<b>Resilient Base - Extended Studs</b>	Motor Orientation	<b>Horizontal</b>
Drive End Bearing	<b>Ball</b>	Opp Drive End Bearing	<b>Ball</b>
Frame Material	<b>Rolled Steel</b>	Shaft Type	<b>Single Special Extension</b>
Overall Length	<b>8.50 in</b>	Frame Length	<b>4.25 in</b>
Shaft Diameter	<b>0.500 in</b>	Shaft Extension	<b>2.81 in</b>
Assembly/Box Mounting	<b>F1 Only</b>		
Outline Drawing	<b>A-SS74126-425</b>	Connection Diagram	<b>9513130</b>

**This is an uncontrolled document once printed or downloaded and is subject to change without notice. Date Created: 10/08/2018**

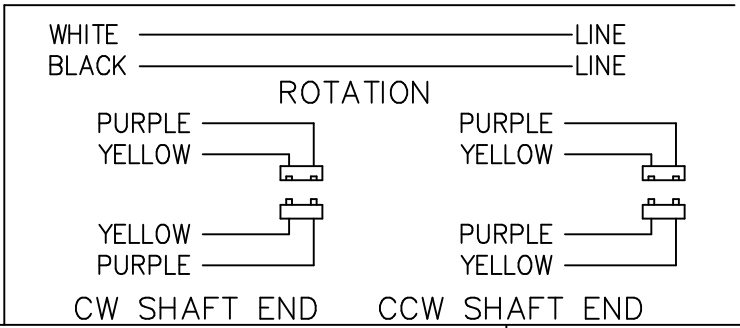
Uncontrolled Copy

SS74126



LEAD DESCRIPTION:  
 1 BLACK AND 1 WHITE LEAD WITH .50 BARE WIRE STRIP EXIT MOTOR THROUGH CONDUIT CONNECTOR WITH ADJUSTABLE THROAT OPENING. 35.00-37.00" LONG PURPLE AND YELLOW REVERSING LEADS MOLDED INTO MATING PULL-APART PLUGS. 4.00-6.00 LONG.

DASH	C	XB
425	8.50	3.67
475	9.00	4.17



NO.	REVISION	BY & DATE	CHK	TOLERANCES UNLESS SPECIFIED	
				DEC.	INCHES
				.X	±.1
4	REVISED MOUNTING HOLE LOCATIONS	RJW 07-12-2005	ML	.XX	±.03
3	REDRAWN IN AUTOCAD	TAT 05-19-2005	ML	.XXX	±.005
2	REDRAWN ON CADD - NO CHANGE	MRB 04-01-1998		.XXXX	±.0005
				ANG	±7'30"

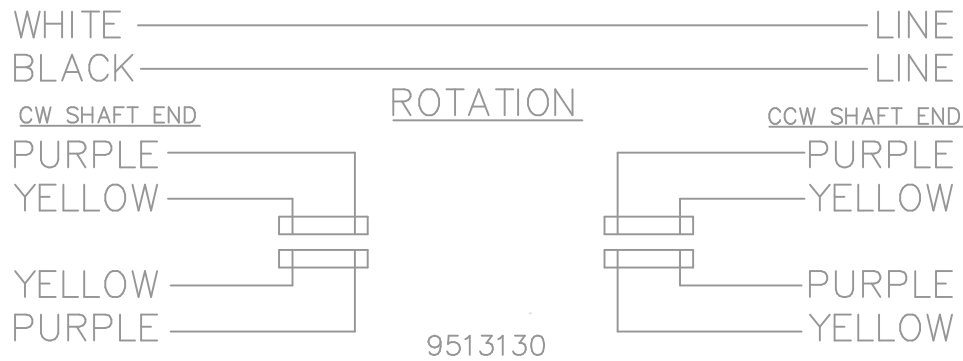


DRAWN	MRB 03-10-1998
CHK	ML 04-01-1998
APPD	GK 04-01-1998
SCALE	3=8
REF	
FMF	
PREV	

THIS DRAWING IN DESIGN AND DETAIL IS OUR PROPERTY AND MUST NOT BE USED EXCEPT IN CONNECTION WITH OUR WORK ALL RIGHTS OF DESIGN AND INVENTION ARE RESERVED THIS IS AN ELECTRONICALLY GENERATED DOCUMENT - DO NOT SCALE THIS PRINT				RFP	CAD FILE	ss74126	SIZE	DRAWING NO.	PAGE	OF	REV.
				DIST	WP		A	SS74126			4

7/26/2007 2:23:28 PM -

Dealers Industrial Equipment -- Visit <https://DealersElectric.com> or call (908) 688-1966 for all of your electric motor & VFD needs!



				TOLERANCES UNLESS SPECIFIED			DRAWN TOM 09/19/1988					
				DEC.	INCHES		CHK					
				.X	±.1		APPD MS 09/20/1988					
				.XX	±.02		SCALE 1=1					
3	REDRAWN IN AUTOCAD	JMS 03/11/2005		.XXX	±.005	TITLE CONNETION DIAGRAM				REF		
2	NEW DRAWING	TOM 09/19/1988		.XXXX	±.0005	MAT'L.				FMF		
NO.	REVISION	BY & DATE	CHK	ANG	±7'30"	FINISH				PREV		
THIS DRAWING IN DESIGN AND DETAIL IS OUR PROPERTY AND MUST NOT BE USED EXCEPT IN CONNECTION WITH OUR WORK ALL RIGHTS OF DESIGN AND INVENTION ARE RESERVED THIS IS AN ELECTRONICALLY GENERATED DOCUMENT - DO NOT SCALE THIS PRINT				RFP	CAD FILE 9513130			SIZE	DRAWING NO.	PAGE	OF	REV.
				DIST	WP			A	9513130			3

9/29/2008 10:45:52 PM



Uncontrolled Copy

\*\* Subject to change without notice.