

PRODUCT INFORMATION PACKET

marathon[®]
Motors

Model No: 048A17O161
Catalog No: X273
1/4,1625,OPAO,48Y,1/60/230
Other Purpose



Regal and Marathon are trademarks of Regal Beloit Corporation or one of its affiliated companies.

©2018 Regal Beloit Corporation, All Rights Reserved. MC017097E

REGAL[®]

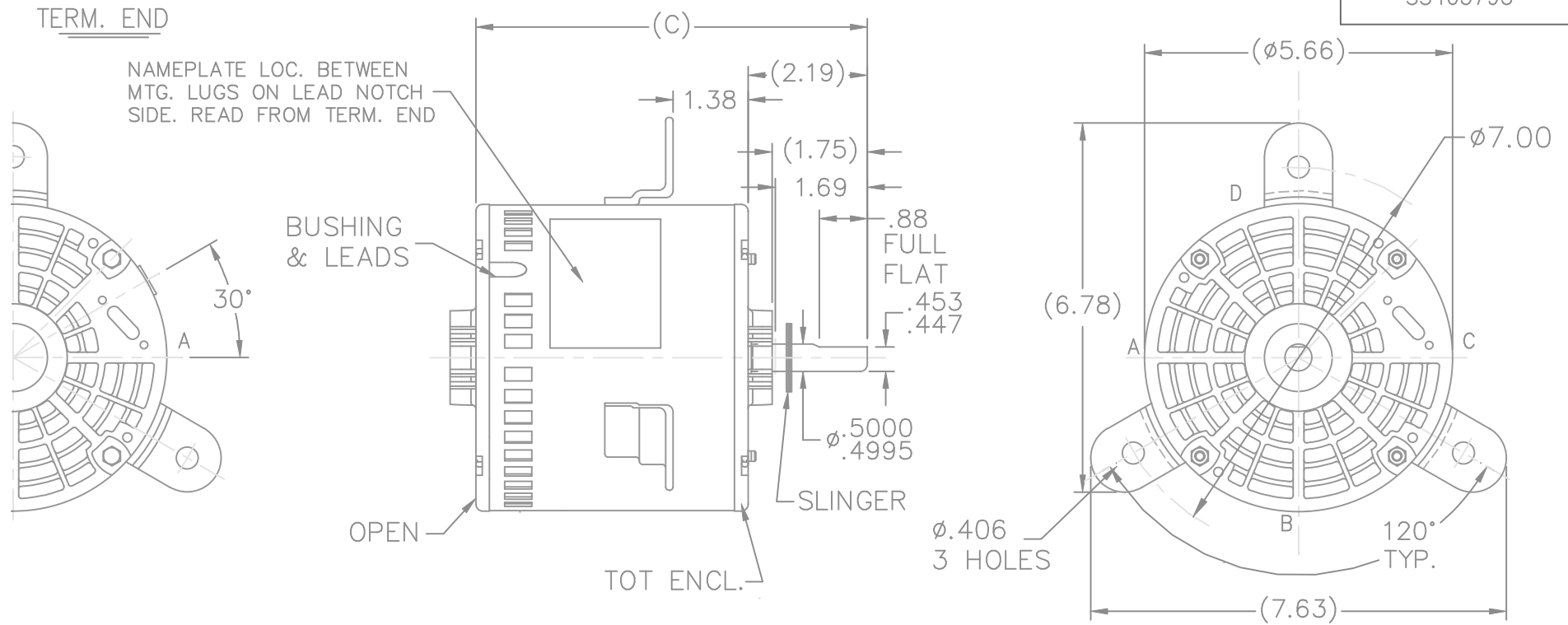
Nameplate Specifications

Output HP	0.25 Hp	Output KW	0.19 kW
Frequency	60 Hz	Voltage	230 V
Current	1.5 A	Speed	1625 rpm
Service Factor	1	Phase	1
Efficiency	61.9 %	Duty	Continuous
Insulation Class	B	Design Code	NO DESIGN CODE
KVA Code	B	Frame	48Y
Enclosure	Open Air Over	Overload Protector	Automatic Lock Rotor Only
Ambient Temperature	40 °C	Drive End Bearing Size	6203
Opp Drive End Bearing Size	6203	UL	Recognized
CSA	Y	CE	N
IP Code	10		

Technical Specifications

Electrical Type	Permanent Split Capacitor	Starting Method	Across The Line
Poles	4	Rotation	Fixed Counterclockwise
Mounting	Three Lug Mount	Motor Orientation	Horizontal
Drive End Bearing	Ball	Opp Drive End Bearing	Ball
Frame Material	Rolled Steel	Shaft Type	Single Special Extension
Overall Length	6.88 in	Shaft Diameter	0.500 in
Shaft Extension	1.75 in	Assembly/Box Mounting	F1 Only
Outline Drawing	A-SS403795-375	Connection Diagram	95105441

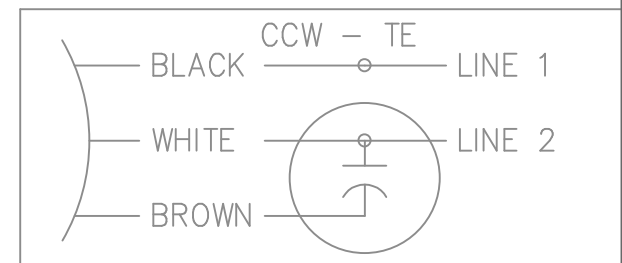
This is an uncontrolled document once printed or downloaded and is subject to change without notice. Date Created: 10/08/2018



DASH	FRAME	C
375	48	6.88

LEAD DESCRIPTION:

1 WHITE, 1 BLACK & 1 BROWN
 W/.25 STRAIGHT QUICK CONNECT.
 38.00-41.00" LONG.



				TOLERANCES UNLESS SPECIFIED			DRAWN SP 12-22-2008					
				DEC.	INCHES		CHK NB 12-22-2008					
				.X	±.1		APPD SP 12-22-2008					
				.XX	±.03		SCALE 11=32					
				.XXX	±.005		REF SS74470					
				.XXX	±.0005	TITLE	FMF					
				.XXXX	±.0005	OUTLINE	PREV					
						48 FR.						
NO.	REVISION	BY & DATE	CHK	ANG	±7'30"	MAT'L.						
						FINISH						
THIS DRAWING IN DESIGN AND DETAIL IS OUR PROPERTY AND MUST NOT BE USED EXCEPT IN CONNECTION WITH OUR WORK ALL RIGHTS OF DESIGN AND INVENTION ARE RESERVED THIS IS AN ELECTRONICALLY GENERATED DOCUMENT - DO NOT SCALE THIS PRINT				RFP	12-24-2008	CAD FILE	SS403795	SIZE	DRAWING NO.	PAGE	OF	REV.
				DIST	WP			A	SS403795			

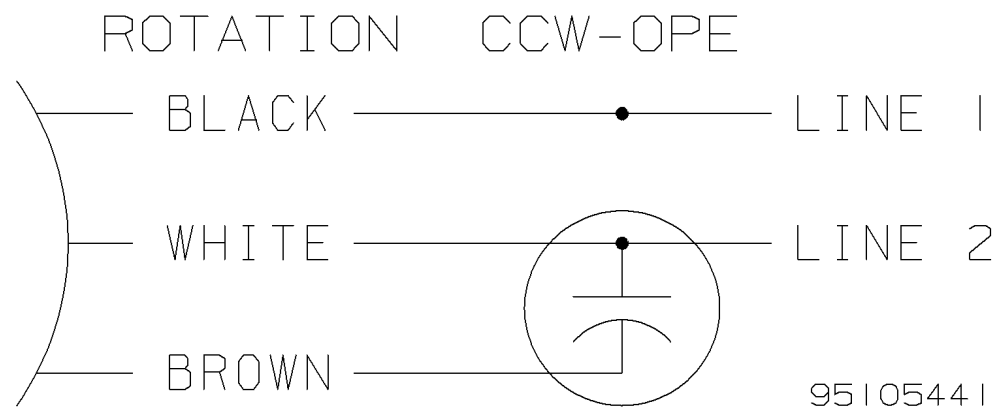


PLATE: 41365

SLOT: 22

				125 $\sqrt{\text{V}}$ SURFACE ROUGHNESS UNLESS NOTED OTHERWISE	UNLESS OTHERWISE SPECIFIED DIMENSIONS ARE IN INCHES TOL ON XX± XXX±.005 XXXX±.0005 ANGLES±		
				MATL SPEC	 WAUSAU, WISCONSIN 54401		DRAWN BY PR 8-14-86
				FINISH			CHKD BY TOM 10-3-86
2	12-14-88	REDRAWN NEW FORMAT 7150	PR	PART NAME			APPD BY
REV	DATE	CHANGE	NAME	CONNECTION DIAGRAM	DRWG NO		A- 95105441

CERTIFICATION DATA SHEET

Model#: 48A170161 B WINDING#: PE484200 NONE 2
 CONN. DIAGRAM: 95105441 ASSEMBLY: F1 ONLY
 OUTLINE: A-SS403795-375

TYPICAL MOTOR PERFORMANCE DATA

HP	KW	SYNC. RPM	F.L. RPM	FRAME	ENCLOSURE	KVA CODE	DESIGN
1/4	0.19	1800	1625	48Y	OPAO	B	NO DESIGN CODE

PH	Hz	VOLTS	FL AMPS	START TYPE	DUTY	INSL	S.F	AMB°C	ELEVATION
1	60	230	1.5	ACROSS THE LINE	CONTINUOUS	B3	1.0	40	3300

FULL LOAD EFF: -	3/4 LOAD EFF: -	1/2 LOAD EFF: -	GTD. EFF	ELEC. TYPE	NO LOAD AMPS
			-	PSC 1 SPEED	-

F.L. TORQUE	LOCKED ROTOR AMPS	L.R. TORQUE	B.D. TORQUE	F.L. RISE°C
- LB-FT	-	- LB-FT -	- LB-FT -	-

SOUND PRESSURE @ 3 FT.	SOUND POWER	ROTOR WK^2	MAX. WK^2	SAFE STALL TIME	STARTS /HOUR	APPROX. MOTOR WGT
- dBA	- dBA	- LB-FT^2	- LB-FT^2	- SEC.	-	- LBS.

*** SUPPLEMENTAL INFORMATION ***

DE BRACKET TYPE	ODE BRACKET TYPE	MOUNT TYPE	ORIENTATION	SEVERE DUTY	HAZARDOUS LOCATION	DRIP COVER	SCREENS	PAINT
STANDARD	STANDARD	THREE LUG MOUNT	HORIZONTAL	FALSE	NONE	FALSE	NONE	GRAY (POWDER)

BEARINGS		GREASE	SHAFT TYPE	SPECIAL DE	SPECIAL ODE	SHAFT MATERIAL	FRAME MATERIAL
DE	OPE	BEACON 325	SGL SPL EXT	0.500 x 1.69 IN SEF WITH .88 IN FULL FLAT	NONE	1144 STRESSPROOF (C-223)	ROLLED STEEL
BALL	BALL						
6203	6203						

THERMO-PROTECTORS				THERMISTORS	CONTROL	SPACE /n HEATERS
THERMOSTATS	PROTECTORS	WDG RTDs	BRG RTDs			
NONE	AUT LCK RTR ONLY	NONE	NONE	NONE	FALSE	NONE VOLTS

If Inverter equals NONE, contact factory for further information

INVERTER TORQUE: NONE
INV. HP SPEED RANGE: NONE
ENCODER: NONE
NONE NONE
NONE NONE PPR
BRAKE: NONE NONE
NONE P/N NONE
NONE NONE
NONE FT-LB NONE V NONE Hz

*
N
O
T
E
S
*

DATE: 06/28/2017 01:24:55 AM
 FORM 3531 REV.3 02/07/99
 ** Subject to change without notice.