

PRODUCT INFORMATION PACKET

marathon[®]
Motors

Model No: 048A11TB569

Catalog No: X412A

.25 HP Condenser Fans HVAC/R Motor, 1 phase, 1200 RPM, 208-230 V, 48Y Frame, TEAO
Condenser Fans Motors



Regal and Marathon are trademarks of Regal Beloit Corporation or one of its affiliated companies.

©2019 Regal Beloit Corporation, All Rights Reserved. MC017097E

REGAL



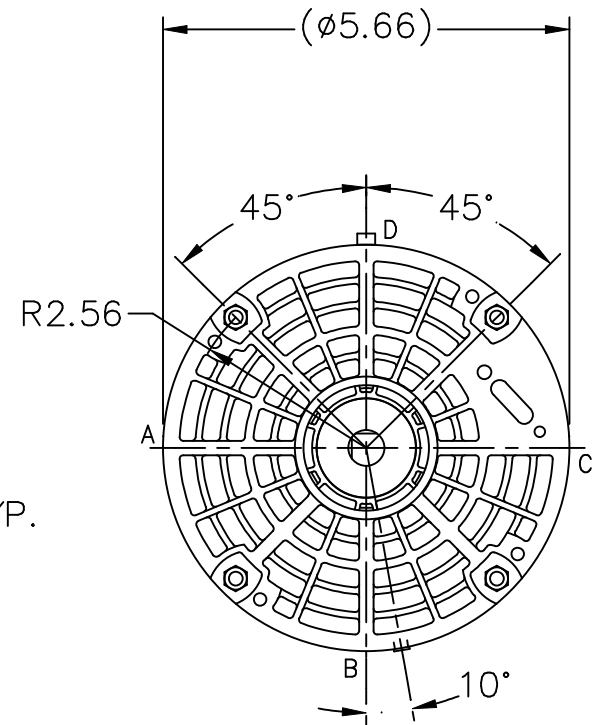
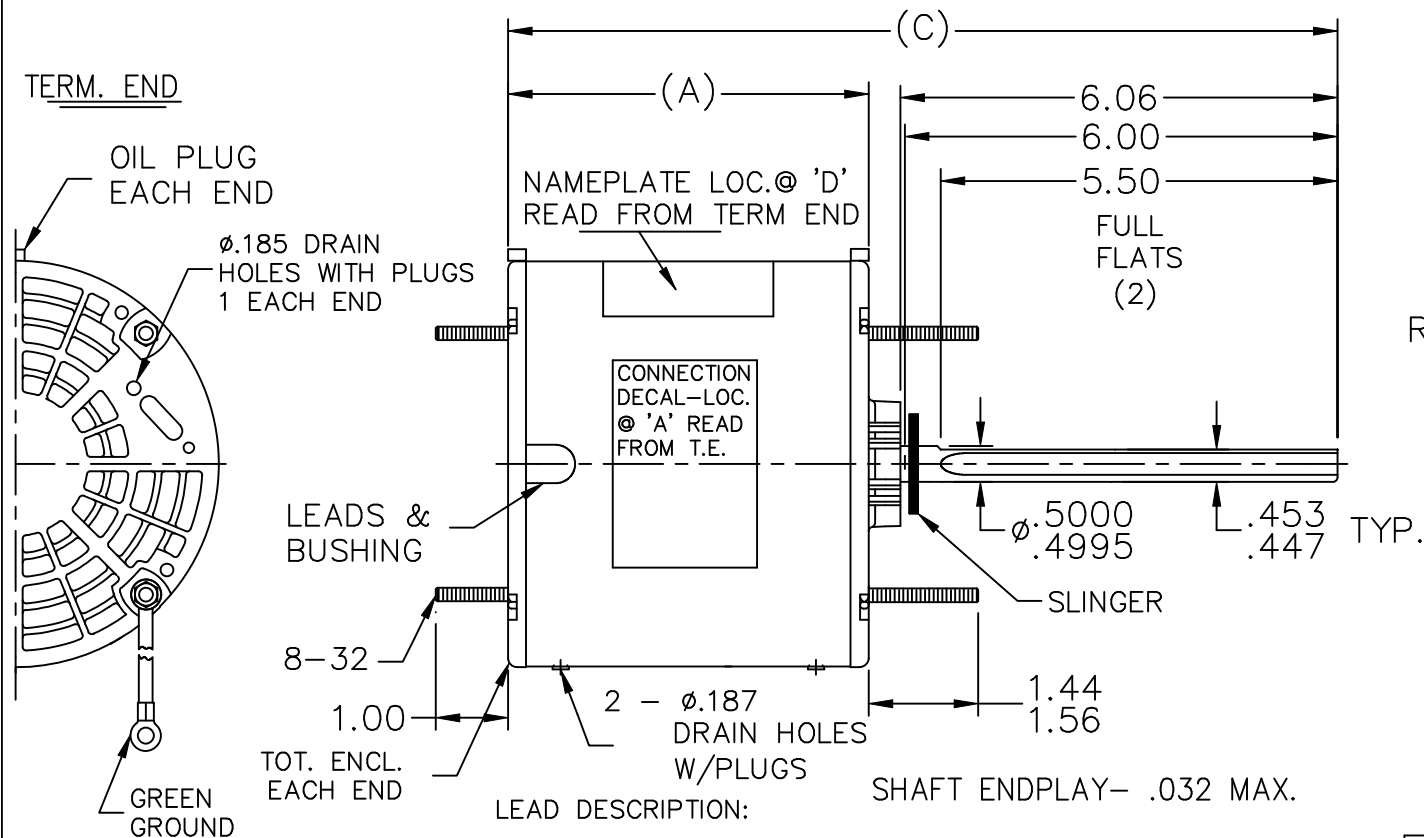
Nameplate Specifications

Output HP	.25 Hp	Output KW	0.19 kW
Frequency	60 Hz	Voltage	208-230 V
Current	1.4 A	Speed	1075 rpm
Service Factor	1	Phase	1
Duty	CONTINUOUS	Insulation Class	B
Design Code	No Design Code	KVA Code	B
Frame	48Y	Enclosure	TEAO
Thermal Protection	AUT LCK RTR ONLY	Ambient Temperature	60 °C
Drive End Bearing Size	NONE	Opp Drive End Bearing Size	NONE
UL	Recognized	CSA	Y
CE	N	IP Code	43

Technical Specifications

Electrical Type	PSC 1 SPEED	Starting Method	ACROSS THE LINE
Poles	6	Rotation	SELECTIVE CCW
Mounting	ROUND-EXTENDED STUDS	Motor Orientation	HORIZONTAL
Drive End Bearing	SLEEVE	Opp Drive End Bearing	SLEEVE
Frame Material	ROLLED STEEL	Shaft Type	SGL SPL EXT
Overall Length	10.75 in	Shaft Diameter	.5 in
Shaft Extension	6 in	Assembly/Box Mounting	F1 Only

This is an uncontrolled document once printed or downloaded and is subject to change without notice. Date Created:01/11/2019



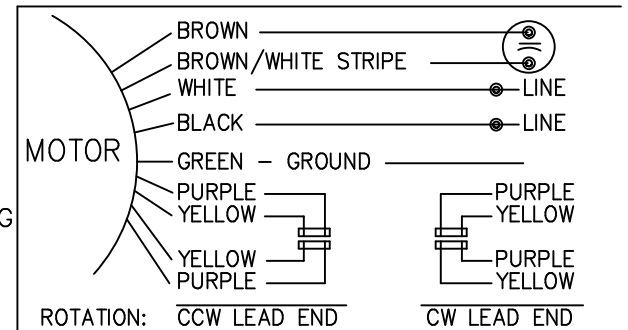
DASH	FR	C	A
325	48Y	10.25	3.75
375	48Y	10.75	4.25
425	48Y	11.25	4.75
450	48Y	11.50	5.00
475	48Y	11.75	5.25

1 WHITE, 1BLACK, BARE WIRE STRIPPED .50, 36.00" LONG

1 BROWN AND 1 BROWN WITH WHITE MARK WITH .25 FLAG TYPE QUICK CONNECT 36.00" LONG. BROWN LEAD WITH WHITE MARK IS COMMON TO WHITE.

PURPLE AND YELLOW REVERSING LEADS ARE MOLDED INTO MATING PULL APART PLUGS 5.00" LONG.

GREEN GROUND WITH TERM. FOR #10 SCREW 12.00" LONG.



NO.	REVISION	BY & DATE	CHK	ANG	TOLERANCES UNLESS SPECIFIED	
					DEC.	INCHES
4	ADDED 2 - Ø.187 DRAIN HOLES W/PLUGS CN 37549	NJS 12-12-2003	ML	DEC.	INCHES	
3	REVISED LEAD LENGTH WAS 30.00" CN 29375-339	MJD 08-28-1998		.X	±.1	
2	CHANGED FROM SINGLE TO DOUBLE FLATS	PGK 11-20-1996		.XX	±.03	
2	ON MODLES CN 23599			.XXX	±.005	
1	NEW DRAWING 4358271	DT 01-29-1996		.XXXX	±.0005	
					±7'30"	



DRAWN DT	01-15-1996
CHK	ML 01-16-1996
APPD	RJS 01-16-1996
SCALE	3=8
REF	
FMF	
PREV	

THIS DRAWING IN DESIGN AND DETAIL IS OUR PROPERTY AND MUST NOT BE USED EXCEPT IN CONNECTION WITH OUR WORK ALL RIGHTS OF DESIGN AND INVENTION ARE RESERVED THIS IS AN ELECTRONICALLY GENERATED DOCUMENT - DO NOT SCALE THIS PRINT	RFP	CAD FILE	SS400181	SIZE	DRAWING NO.	PAGE	OF	REV.
	DIST	WP		A	SS400181			4