

PRODUCT INFORMATION PACKET

marathon[®]
Motors

Model No: 048A11T2026
Catalog No: X925
1/2,1140,TENV,48Y,1/60/115
Pedestal Fan



Regal and Marathon are trademarks of Regal Beloit Corporation or one of its affiliated companies.
©2018 Regal Beloit Corporation, All Rights Reserved. MC017097E

REGAL[®]

Nameplate Specifications

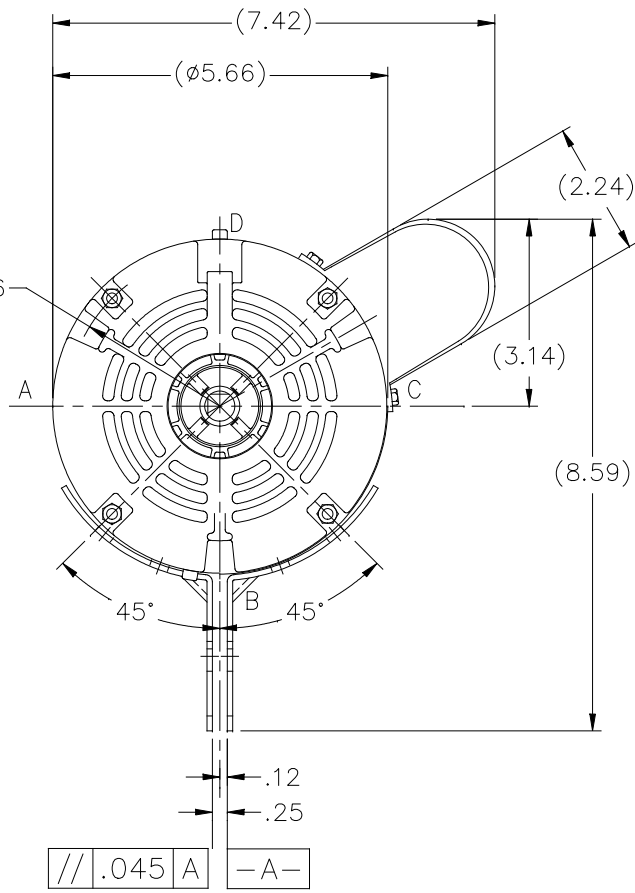
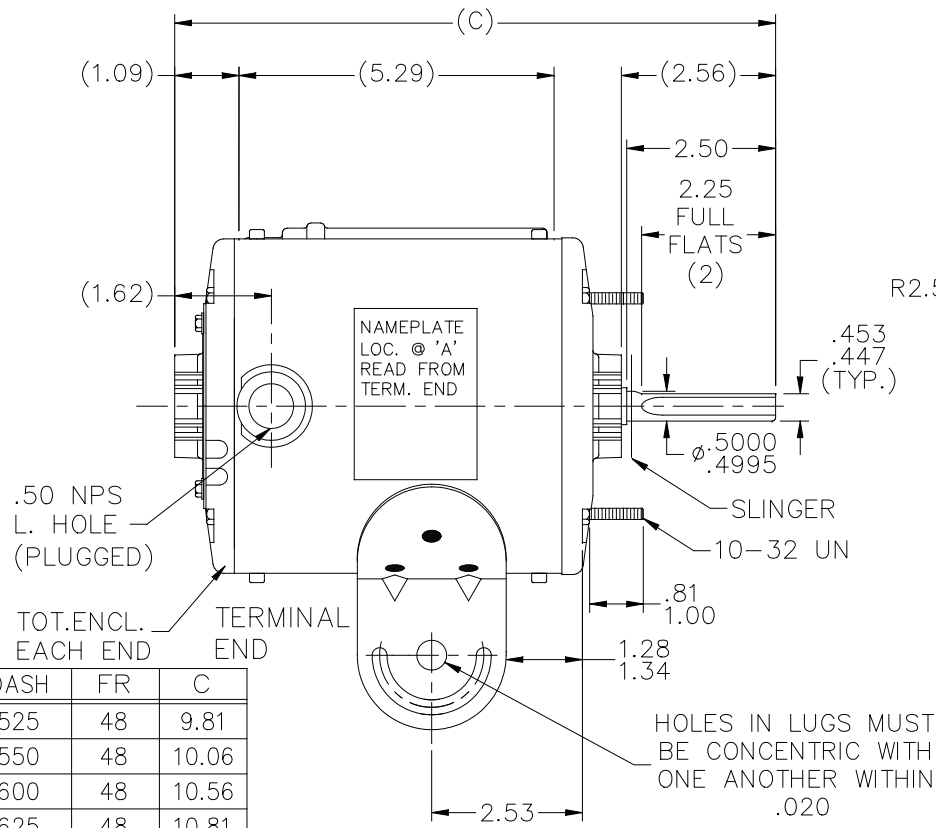
Output HP	0.50 Hp	Output KW	0.37 kW
Frequency	60 Hz	Voltage	115 V
Current	5.7 A	Speed	1075 rpm
Service Factor	1	Phase	1
Efficiency	64 %	Duty	Continuous
Insulation Class	B	Design Code	NO DESIGN CODE
KVA Code	C	Frame	48Z
Enclosure	Totally Enclosed Air Over	Overload Protector	Automatic Lock Rotor Only
Ambient Temperature	40 °C	Drive End Bearing Size	6203
Opp Drive End Bearing Size	6203	UL	Recognized
CSA	Y	CE	N
IP Code	43		

Technical Specifications

Electrical Type	Permanent Split Capacitor	Starting Method	Across The Line
Poles	6	Rotation	Selective Counterclockwise
Mounting	Round - Swing Arm	Motor Orientation	Horizontal
Drive End Bearing	Ball	Opp Drive End Bearing	Ball
Frame Material	Rolled Steel	Shaft Type	Single Special Extension
Overall Length	10.81 in	Frame Length	6.25 in
Shaft Diameter	0.500 in	Shaft Extension	2.56 in
Assembly/Box Mounting	F1 Only		
Outline Drawing	A-SS403014-625	Connection Diagram	A-EE9022PD

This is an uncontrolled document once printed or downloaded and is subject to change without notice. Date Created: 10/08/2018

SS403014



DASH	FR	C
525	48	9.81
550	48	10.06
600	48	10.56
625	48	10.81
650	48	11.06
675	48	11.31
575	48	10.31

HOLES IN LUGS MUST BE CONCENTRIC WITH ONE ANOTHER WITHIN .020

TOTALLY ENCLOSED MOTOR FULLY GASKETED

			TOLERANCES UNLESS SPECIFIED		DRAWN BJV 11-22-1999
			DEC.	INCHES	
4	ADDED DASH 575	MVG 02/21/18	SM	.X ±.1	APPD SAT 11-24-1999
3	REDRAWN IN AUTOCAD	TAT 10-15-2004	ML	.XX ±.03	SCALE 3=8
2	ROT. CAP. 60° & ADD'D DRAIN HOLE PLUGS MU27937	NJS 11-03-2000		.XXX ±.005	REF
1	NEW DRAWING MU27937	BJW 11-24-1999		.XXXX ±.0005	FMF
NO.	REVISION	BY & DATE	CHK	ANG ±7'30"	PREV
THIS DRAWING IN DESIGN AND DETAIL IS OUR PROPERTY AND MUST NOT BE USED EXCEPT IN CONNECTION WITH OUR WORK ALL RIGHTS OF DESIGN AND INVENTION ARE RESERVED THIS IS AN ELECTRONICALLY GENERATED DOCUMENT - DO NOT SCALE THIS PRINT			RFP	CAD FILE ss403014	SIZE A
			DIST WP		DRAWING NO. PAGE OF REV. SS403014 3 4

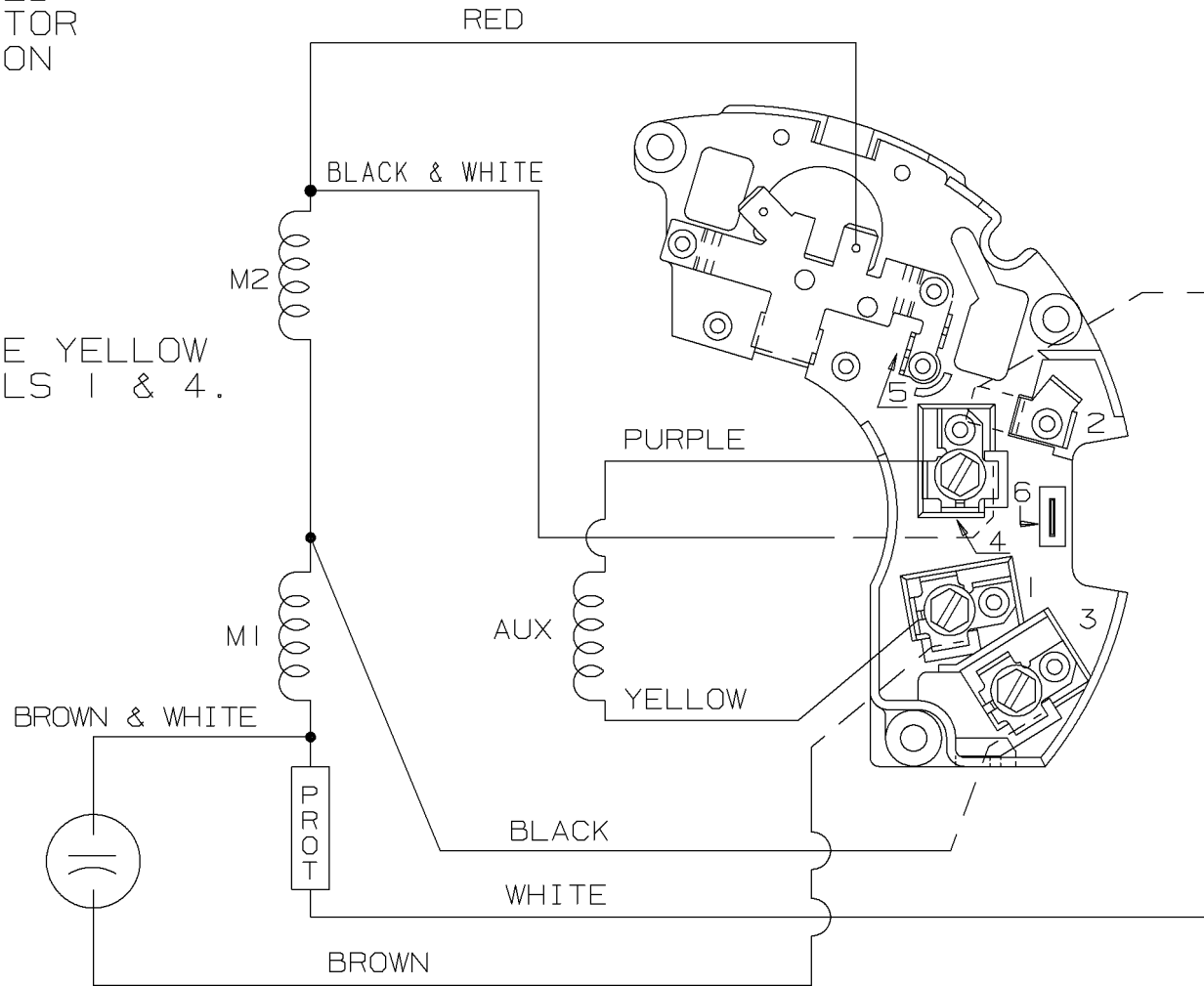


TITLE OUTLINE 48 FR.

SINGLE VOLTAGE-TWO SPEED
PERMANENT SPLIT CAPACITOR
WITH OVERLOAD PROTECTION

CCW ROTATION SHOWN
TO REVERSE, INTERCHANGE YELLOW
WITH PURPLE ON TERMINALS 1 & 4.

- LOW SPEED
- ⑤ ——— LINE 2
 - ② ——— LINE 1
 - ④ ——— PURPLE
 - ① ——— YELLOW
 - ③
- HIGH SPEED
- ⑤
 - LINE 1 ——— ②
 - PURPLE ——— ④
 - YELLOW ——— ①
 - LINE 2 ——— ③



				✓ MAX. SURFACE ROUGHNESS UNLESS NOTED OTHERWISE	UNLESS OTHERWISE SPECIFIED DIMENSIONS ARE IN INCHES TOL. ON XX± .02 XXX± .005 XXXX± .0005 ANGLES± 7"30"		
				MATL SPEC			DRAWN BY DRS 01-11-2001
				FINISH	MARATHON ELECTRIC		CHKD BY ML 01-23-2001
1	01-23-2001	NEW DRAWING	MU3539 I	DRS	REFERENCE DRW.	WAUSAU, WISCONSIN 54401	APPD BY TOM 01-23-2001
REV	DATE	CHANGE	NAME	PART NAME CONNECTION DIAGRAM			DRWG NO A- EE9022PD

SHOP BOOK

PURCHASED

DISTRIBUTION - WA - LB - WP - LM - BR

CADD FILE NO.

EE9022PD

```
ERROR: syntaxerror  
OFFENDING COMMAND: --nostringval--  
STACK :  
  /im  
-savelevel-
```

CERTIFICATION DATA SHEET

Model#: 48A11T2026 A **WINDING#:** PE4861981 NONE 1
CONN. DIAGRAM: A-EE9022PD **ASSEMBLY:** F1 ONLY
OUTLINE: A-SS403014-625

TYPICAL MOTOR PERFORMANCE DATA

HP	KW	SYNC. RPM	F.L. RPM	FRAME	ENCLOSURE	KVA CODE	DESIGN		
1/2	.37	1200	1075	48Z	TEAO	C	NO DESIGN CODE		
PH	Hz	VOLTS	FL AMPS	START TYPE	DUTY	INSL	S.F	AMB°C	ELEVATION
1	60	115	5.7	ACROSS THE LINE	CONTINUOUS	B3	1.0	40	3300
FULL LOAD EFF: 64	3/4 LOAD EFF: -	1/2 LOAD EFF: -	GTD. EFF		ELEC. TYPE		NO LOAD AMPS		
FULL LOAD PF: 94.5	3/4 LOAD PF: -	1/2 LOAD PF: -	0		PSC 1 SPEED		.9		
F.L. TORQUE	LOCKED ROTOR AMPS		L.R. TORQUE	B.D. TORQUE		F.L. RISE°C			
18.8 LB-FT	8.2		9.3 LB-FT 0	32.2 LB-FT 0		0			
SOUND PRESSURE @ 3 FT.	SOUND POWER	ROTOR WK^2	MAX. WK^2	SAFE STALL TIME	STARTS /HOUR	APPROX. MOTOR WGT			
- dBA	- dBA	0 LB-FT^2	- LB-FT^2	- SEC.	-	0 LBS.			

*** SUPPLEMENTAL INFORMATION ***

DE BRACKET TYPE	ODE BRACKET TYPE	MOUNT TYPE	ORIENTATION	SEVERE DUTY	HAZARDOUS LOCATION	DRIP COVER	SCREENS	PAINT
STANDARD	STANDARD	ROUND-SWING ARM	HORIZONTAL	FALSE	NONE	FALSE	NONE	GRAY (POWDER)
BEARINGS		GREASE	SHAFT TYPE	SPECIAL DE	SPECIAL ODE	SHAFT MATERIAL	FRAME MATERIAL	
DE	OPE	MULTEMP SRL	SGL SPL EXT	0.500 x 2.50 IN SEF WITH 2.25 IN DOUBLE FULL FLAT	NONE	1144 STRESSPROOF (C-223)	ROLLED STEEL	
BALL	BALL							
6203	6203							
THERMO-PROTECTORS				THERMISTORS	CONTROL	SPACE /n HEATERS		
THERMOSTATS	PROTECTORS	WDG RTDs	BRG RTDs	NONE	FALSE	NONE VOLTS		
NONE	AUT LCK RTR ONLY	NONE	NONE					

If Inverter equals NONE, contact factory for further information

*
N
O
T
E
S
*

INVERTER TORQUE: NONE
INV. HP SPEED RANGE: NONE
ENCODER: NONE
NONE NONE
NONE NONE PPR
BRAKE: NONE NONE
NONE P/N NONE
NONE NONE
NONE FT-LB NONE V NONE Hz

