

PRODUCT INFORMATION PACKET

marathon®
Motors

Model No: 048A11T2025
Catalog No: X924
1/3,1140,TENV,48,1/60/115
Pedestal Fan



Regal and Marathon are trademarks of Regal Beloit Corporation or one of its affiliated companies.
©2018 Regal Beloit Corporation, All Rights Reserved. MC017097E

REGAL

Nameplate Specifications

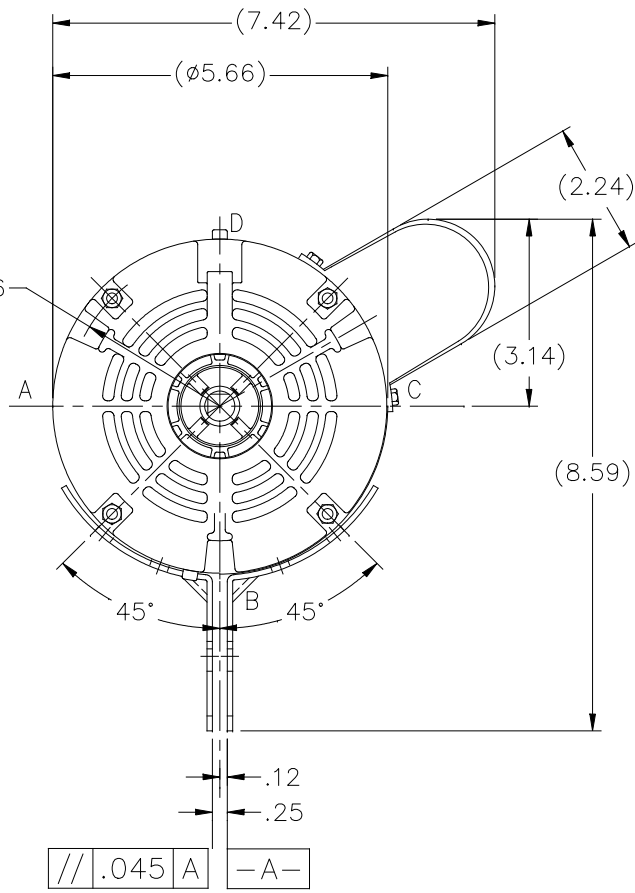
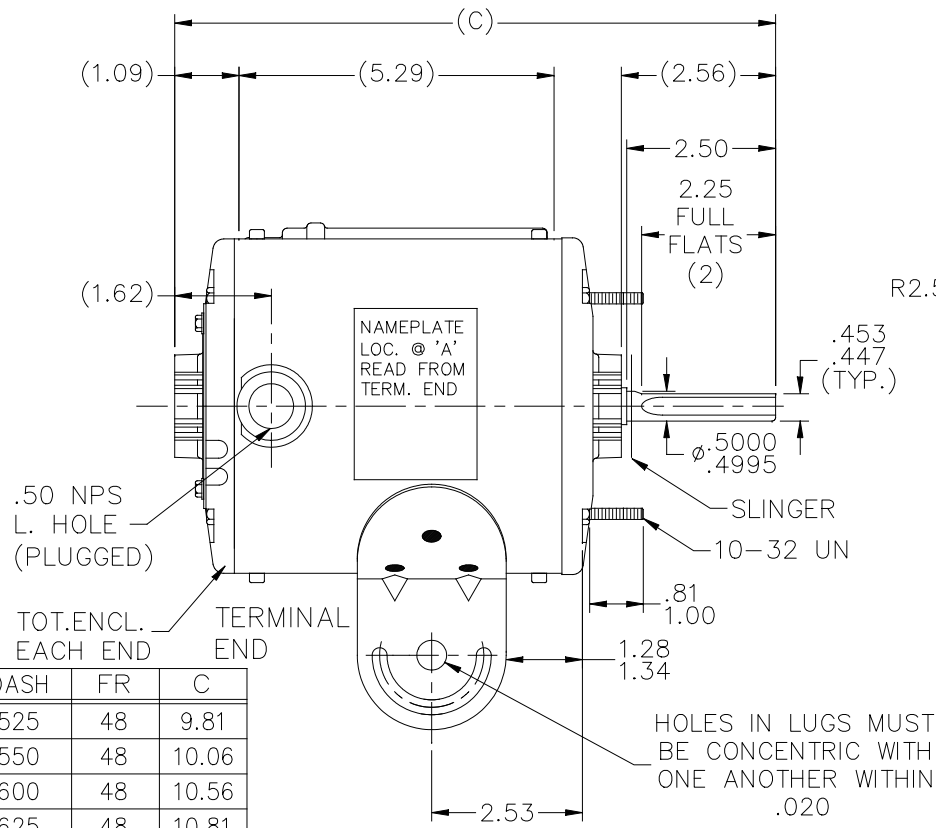
Output HP	0.33 Hp	Output KW	0.25 kW
Frequency	60 Hz	Voltage	115 V
Current	4.2 A	Speed	1100 rpm
Service Factor	1	Phase	1
Efficiency	63.6 %	Duty	Continuous
Insulation Class	B	Design Code	NO DESIGN CODE
KVA Code	B	Frame	48
Enclosure	Totally Enclosed Air Over	Overload Protector	Automatic Lock Rotor Only
Ambient Temperature	40 °C	Drive End Bearing Size	6203
Opp Drive End Bearing Size	6203	UL	Recognized
CSA	Y	CE	N
IP Code	43		

Technical Specifications

Electrical Type	Permanent Split Capacitor	Starting Method	Across The Line
Poles	6	Rotation	Selective Counterclockwise
Mounting	Round - Swing Arm	Motor Orientation	Horizontal
Drive End Bearing	Ball	Opp Drive End Bearing	Ball
Frame Material	Rolled Steel	Shaft Type	T
Overall Length	9.81 in	Frame Length	5.25 in
Shaft Diameter	0.500 in	Shaft Extension	2.56 in
Assembly/Box Mounting	F1 Only		
Outline Drawing	A-SS403014-525	Connection Diagram	A-EE9022PD

This is an uncontrolled document once printed or downloaded and is subject to change without notice. Date Created: 10/08/2018

SS403014



DASH	FR	C
525	48	9.81
550	48	10.06
600	48	10.56
625	48	10.81
650	48	11.06
675	48	11.31
575	48	10.31

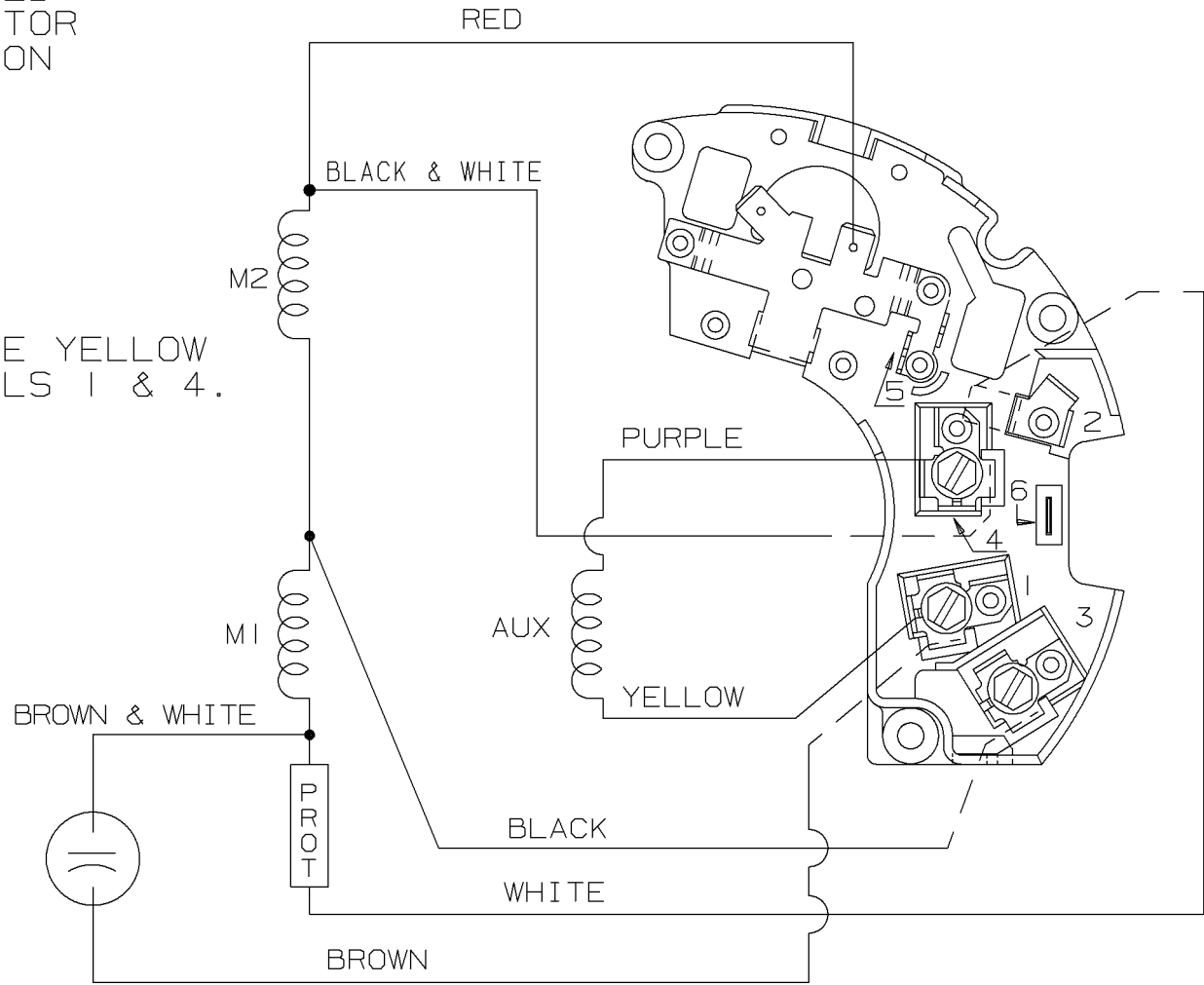
TOTALLY ENCLOSED MOTOR
FULLY GASKETED

		TOLERANCES UNLESS SPECIFIED		REGAL™ Regal Beloit America, Inc.		DRAWN B JW 11-22-1999	
		DEC.	INCHES	TITLE OUTLINE		CHK ML 11-23-1999	
4	ADDED DASH 575	MVG 02/21/18	SM .X ±.1	48 FR.		APPD SAT 11-24-1999	
3	REDRAWN IN AUTOCAD	TAT 10-15-2004	ML .XX ±.03	MAT'L.		SCALE 3=8	
2	ROT. CAP. 60° & ADD'D DRAIN HOLE PLUGS MU27937	NJS 11-03-2000	.XXX ±.005	FINISH		REF	
1	NEW DRAWING MU27937	BJW 11-24-1999	.XXXX ±.0005	RFP		FMF	
NO.	REVISION	BY & DATE	CHK	ANG	±'30"	PREV	
THIS DRAWING IN DESIGN AND DETAIL IS OUR PROPERTY AND MUST NOT BE USED EXCEPT IN CONNECTION WITH OUR WORK ALL RIGHTS OF DESIGN AND INVENTION ARE RESERVED THIS IS AN ELECTRONICALLY GENERATED DOCUMENT - DO NOT SCALE THIS PRINT				CAD FILE ss403014		SIZE A	DRAWING NO. PAGE OF REV. SS403014 4
				DIST WP			

SINGLE VOLTAGE-TWO SPEED
PERMANENT SPLIT CAPACITOR
WITH OVERLOAD PROTECTION

CCW ROTATION SHOWN
TO REVERSE, INTERCHANGE YELLOW
WITH PURPLE ON TERMINALS 1 & 4.

- LOW SPEED
- ⑤ ——— LINE 2
 - ② ——— LINE 1
 - ④ ——— PURPLE
 - ① ——— YELLOW
 - ③
- HIGH SPEED
- ⑤
 - LINE 1 ——— ②
 - PURPLE ——— ④
 - YELLOW ——— ①
 - LINE 2 ——— ③



				✓ MAX. SURFACE ROUGHNESS UNLESS NOTED OTHERWISE	UNLESS OTHERWISE SPECIFIED DIMENSIONS ARE IN INCHES TOL. ON XX± .02 XXX± .005 XXXX± .0005 ANGLES± 7"30"		
				MATL SPEC			DRAWN BY DRS 01-11-2001
				FINISH			CHKD BY ML 01-23-2001
1	01-23-2001	NEW DRAWING	MU3539 I	DRS	REFERENCE DRW.	WAUSAU, WISCONSIN 54401	APPD BY TOM 01-23-2001
REV	DATE	CHANGE	NAME	PART NAME CONNECTION DIAGRAM			DRWG NO A- EE9022PD

SHOP BOOK | PURCHASED | DISTRIBUTION - WA - LB - WP - LM - BR | CADD FILE NO. | EE9022PD

```
ERROR: syntaxerror  
OFFENDING COMMAND: --nostringval--  
STACK :  
  /im  
-savelevel-
```