

PRODUCT INFORMATION PACKET

marathon[®]
Motors

Model No: 048A11T198
Catalog No: X303
1/4, 1075, TEAO, 48Y, 1/60/115
Direct Drive Blower and Unit Heater



Regal and Marathon are trademarks of Regal Beloit Corporation or one of its affiliated companies.

©2018 Regal Beloit Corporation, All Rights Reserved. MC017097E

REGAL[®]

Product Information Packet: Model No: 048A11T198, Catalog No:X303 1/4,1075,TEAO,48Y,1/60/115

Nameplate Specifications

Output HP	0.25 Hp	Output KW	0.18 kW
Frequency	60 Hz	Voltage	115 V
Current	4.1 A	Speed	1075 rpm
Service Factor	1	Phase	1
Efficiency	59.5 %	Duty	Continuous
Insulation Class	B	Design Code	NO DESIGN CODE
KVA Code	D	Frame	48Z
Enclosure	Totally Enclosed Air Over	Overload Protector	Automatic Lock Rotor Only
Ambient Temperature	40 °C	Drive End Bearing Size	6203
Opp Drive End Bearing Size	6203	UL	Recognized
CSA	Y	CE	N
IP Code	43		

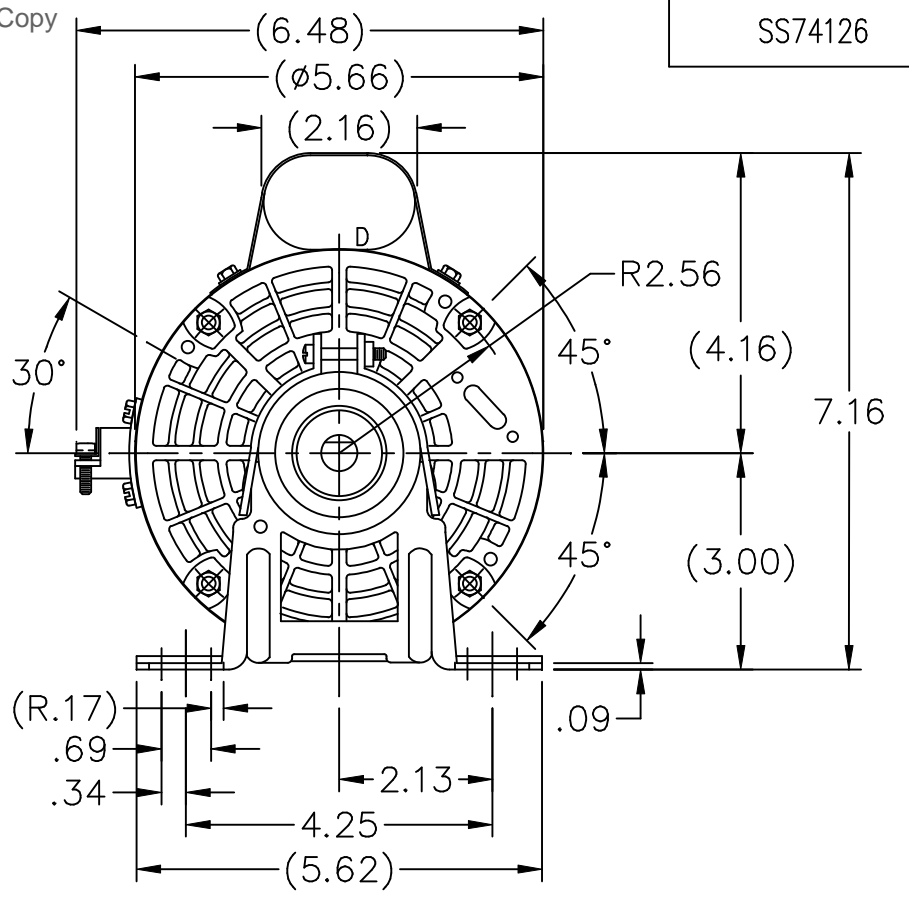
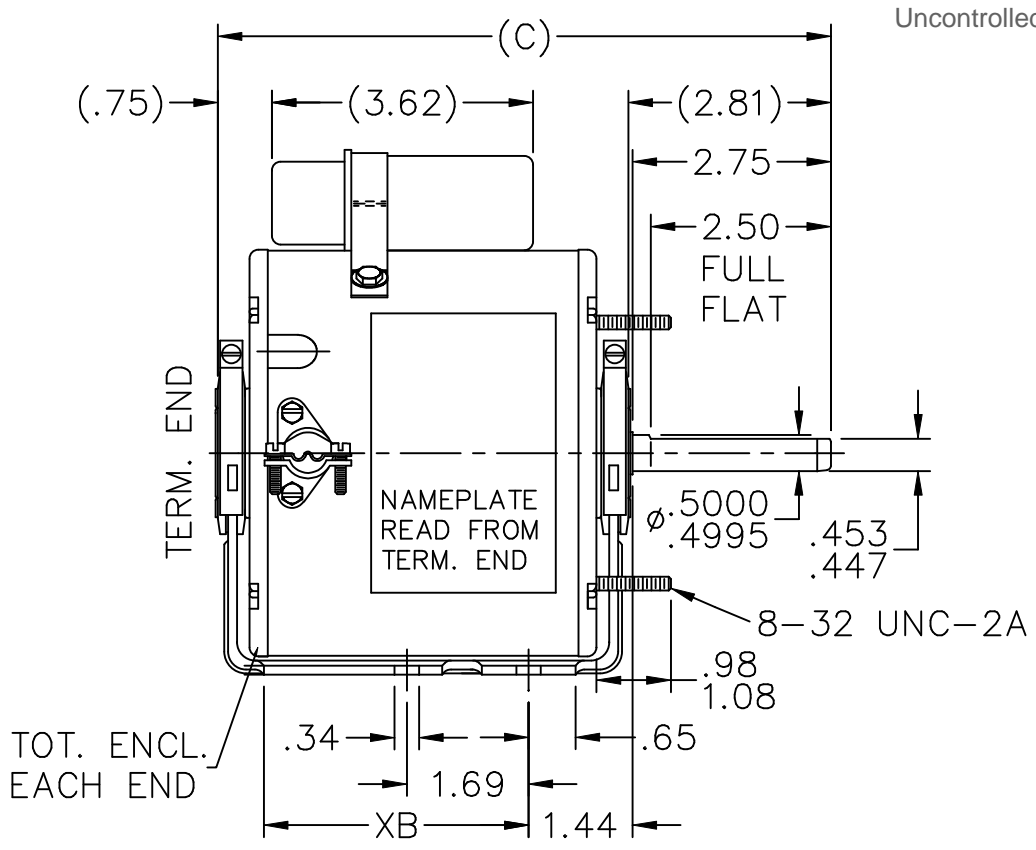
Technical Specifications

Electrical Type	Permanent Split Capacitor	Starting Method	Across The Line
Poles	6	Rotation	Selective Counterclockwise
Mounting	Resilient Base - Extended Studs	Motor Orientation	Horizontal
Drive End Bearing	Ball	Opp Drive End Bearing	Ball
Frame Material	Rolled Steel	Shaft Type	Single Special Extension
Overall Length	8.50 in	Frame Length	4.25 in
Shaft Diameter	0.500 in	Shaft Extension	2.81 in
Assembly/Box Mounting	F1 Only		
Outline Drawing	A-SS74126-425	Connection Diagram	9513130

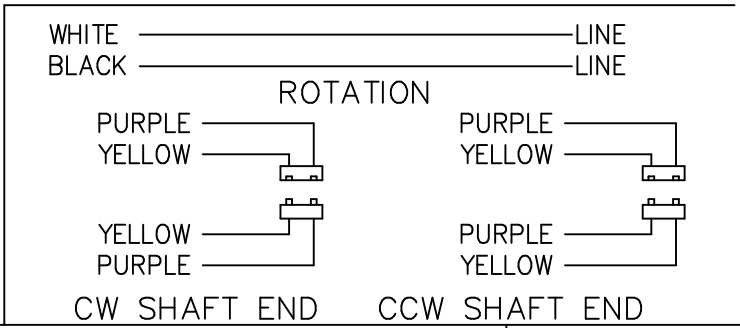
This is an uncontrolled document once printed or downloaded and is subject to change without notice. Date Created: 10/08/2018

Uncontrolled Copy

SS74126



LEAD DESCRIPTION:
 1 BLACK AND 1 WHITE LEAD WITH .50 BARE WIRE STRIP EXIT MOTOR THROUGH CONDUIT CONNECTOR WITH ADJUSTABLE THROAT OPENING. 35.00-37.00" LONG PURPLE AND YELLOW REVERSING LEADS MOLDED INTO MATING PULL-APART PLUGS. 4.00-6.00 LONG.



DASH	C	XB
425	8.50	3.67
475	9.00	4.17

NO.	REVISION	BY & DATE	CHK	TOLERANCES UNLESS SPECIFIED	
				DEC.	INCHES
				.X	±.1
4	REVISED MOUNTING HOLE LOCATIONS	RJW 07-12-2005	ML	.XX	±.03
3	REDRAWN IN AUTOCAD	TAT 05-19-2005	ML	.XXX	±.005
2	REDRAWN ON CADD - NO CHANGE	MRB 04-01-1998		.XXXX	±.0005
				ANG	±7'30"

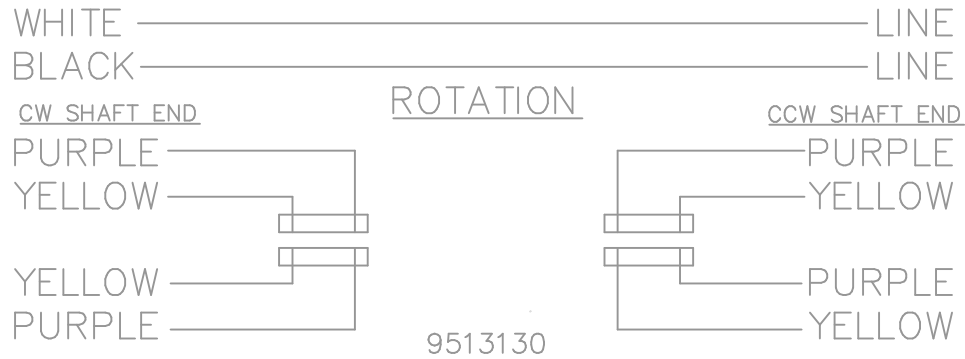


DRAWN MRB 03-10-1998
CHK ML 04-01-1998
APPD GK 04-01-1998
SCALE 3=8
REF
FMF
PREV

THIS DRAWING IN DESIGN AND DETAIL IS OUR PROPERTY AND MUST NOT BE USED EXCEPT IN CONNECTION WITH OUR WORK ALL RIGHTS OF DESIGN AND INVENTION ARE RESERVED THIS IS AN ELECTRONICALLY GENERATED DOCUMENT - DO NOT SCALE THIS PRINT	RFP	CAD FILE ss74126	SIZE A	DRAWING NO. SS74126	PAGE OF	REV. 4
	DIST WP					

7/26/2007 2:23:28 PM -

Dealers Industrial Equipment -- Visit <https://DealersElectric.com> or call (908) 688-1966 for all of your electric motor & VFD needs!



				TOLERANCES UNLESS SPECIFIED			DRAWN TOM 09/19/1988			
				DEC.	INCHES		CHK			
				.X	±.1		APPD MS 09/20/1988			
				.XX	±.02		SCALE 1=1			
3	REDRAWN IN AUTOCAD	JMS 03/11/2005		.XXX	±.005	TITLE CONNETION DIAGRAM			REF	
2	NEW DRAWING	TOM 09/19/1988		.XXXX	±.0005	MAT'L.			FMF	
NO.	REVISION	BY & DATE	CHK	ANG	±7'30"	FINISH			PREV	
THIS DRAWING IN DESIGN AND DETAIL IS OUR PROPERTY AND MUST NOT BE USED EXCEPT IN CONNECTION WITH OUR WORK ALL RIGHTS OF DESIGN AND INVENTION ARE RESERVED THIS IS AN ELECTRONICALLY GENERATED DOCUMENT - DO NOT SCALE THIS PRINT				RFP	CAD FILE 9513130		SIZE	DRAWING NO.	PAGE OF	REV.
				DIST	WP	A	9513130		3	

9/29/2008 10:45:52 PM

Uncontrolled Copy

** Subject to change without notice.