

PRODUCT INFORMATION PACKET

marathon[®]
Motors

Model No: 048A11O885
Catalog No: X470
1/4,1075,OPEN,48Y,1/60/208-230
Other Purpose



Regal and Marathon are trademarks of Regal Beloit Corporation or one of its affiliated companies.

©2018 Regal Beloit Corporation, All Rights Reserved. MC017097E

REGAL

Nameplate Specifications

Output HP	0.25 Hp	Output KW	0.19 kW
Frequency	60 Hz	Voltage	208-230 V
Current	1.6-1.4 A	Speed	1075 rpm
Service Factor	1	Phase	1
Efficiency	62.5 %	Duty	Continuous
Insulation Class	B	Design Code	NO DESIGN CODE
KVA Code	A	Frame	48Y
Enclosure	Open Enclosed	Overload Protector	Automatic Lock Rotor Only
Ambient Temperature	40 °C	Drive End Bearing Size	6203
Opp Drive End Bearing Size	6203	UL	Recognized
CSA	Y	CE	N
IP Code	10		

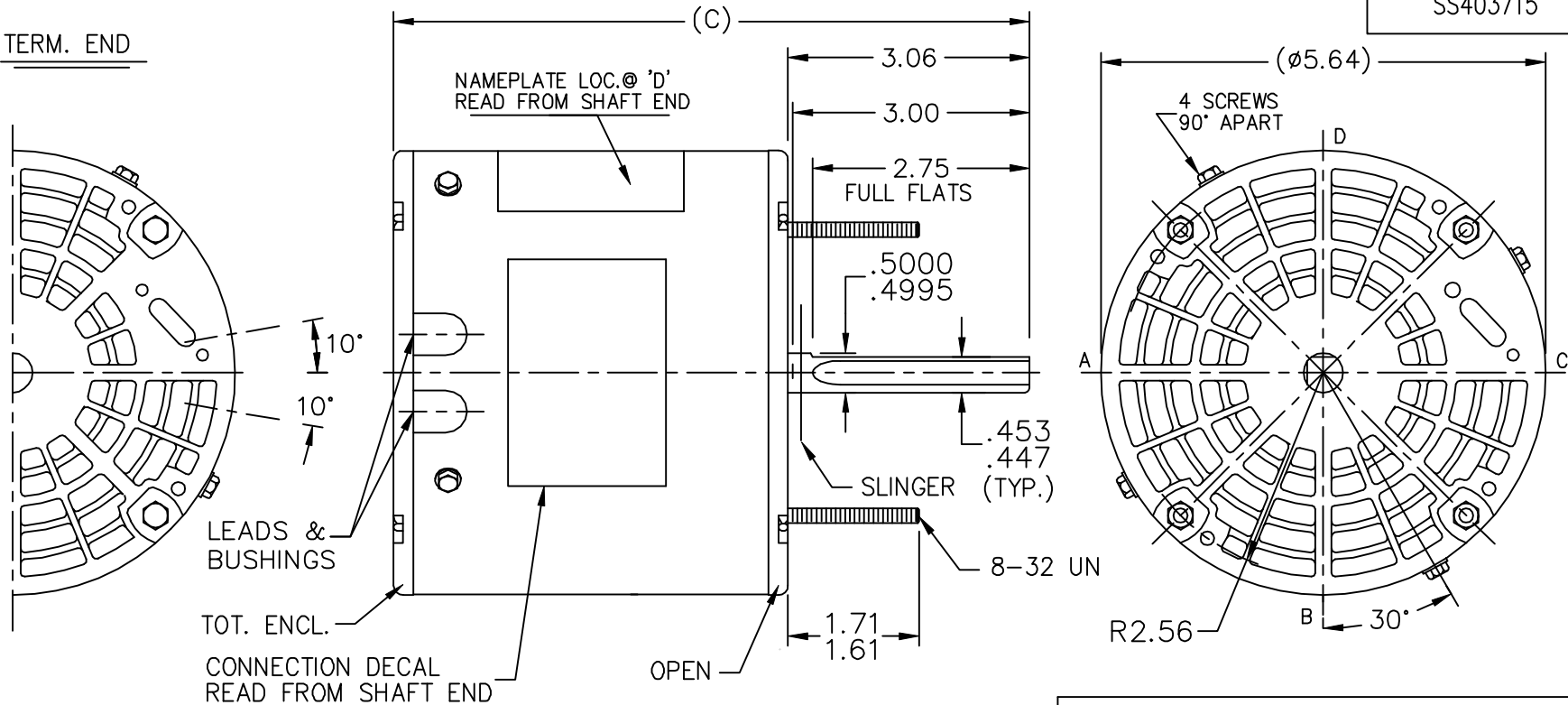
Technical Specifications

Electrical Type	Permanent Split Capacitor	Starting Method	Across The Line
Poles	6	Rotation	Selective Counterclockwise
Mounting	Round - Extended Studs	Motor Orientation	Horizontal
Drive End Bearing	Ball	Opp Drive End Bearing	Ball
Frame Material	Rolled Steel	Shaft Type	Single Special Extension
Overall Length	6.81 in	Frame Length	3.25 in
Shaft Diameter	0.500 in	Shaft Extension	3.06 in
Assembly/Box Mounting	F1 Only		
Outline Drawing	A-SS403715-325	Connection Diagram	6906496

This is an uncontrolled document once printed or downloaded and is subject to change without notice. Date Created: 10/08/2018

SS403715

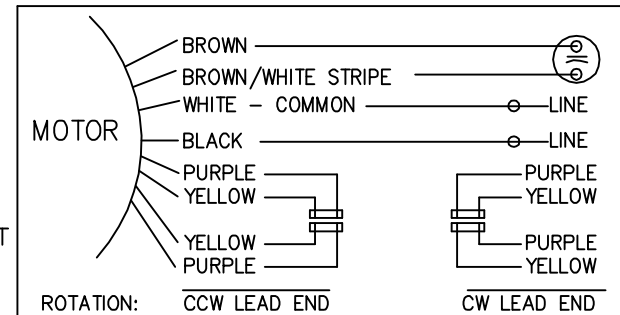
TERM. END



LEAD DESCRIPTION:

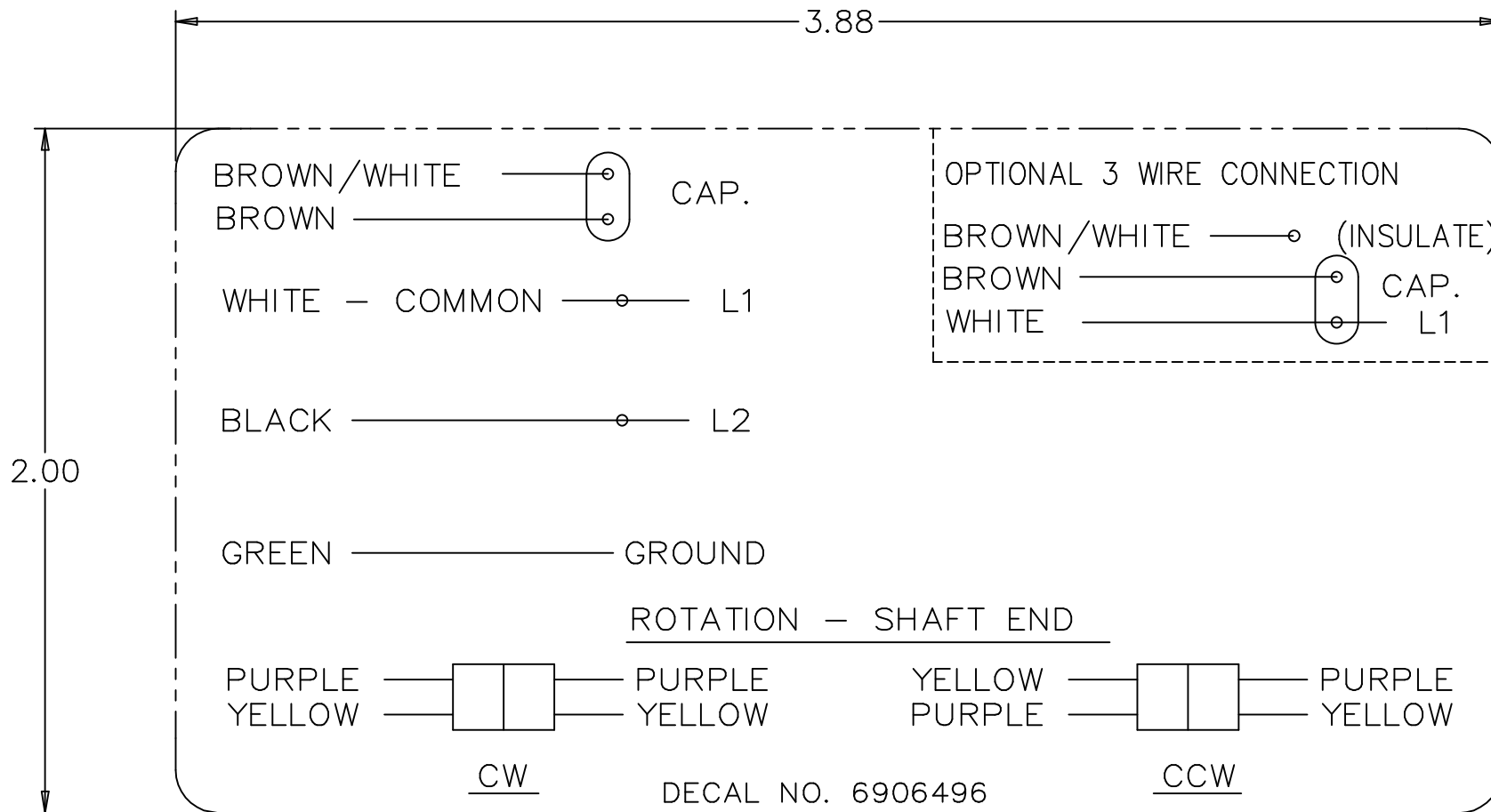
1 BLACK AND 1 WHITE LEAD WITH .50 BARE WIRE STRIP 37.50" LONG.
 2 BROWN LEADS WITH .25 FLAG-TYPE QUICK CONNECTS 37.50" LONG.
 WHITE MARKED LEAD IS COMMON TO WHITE.
 REVERSING LEADS ARE MOLDED INTO MATING PULL-APART PLUGS 1 PURPLE AND 1 YELLOW LEAD PER PLUG. 5.00" LONG.

DASH	FR	C	A
325	48Y	6.81	3.75



		TOLERANCES UNLESS SPECIFIED		MARATHON ELECTRIC	DRAWN SP 05-14-2008		
		DEC.	INCHES		CHK NB 02-25-2008	APPD SP 05-14-2008	
		.X	±.1	TITLE OUTLINE	SCALE 1=2		
		.XX	±.02		REF SS73906		
		.XXX	±.005		FMF 08-0421		
		.XXXX	±.0005		PREV		
NO.	REVISION	BY & DATE	CHK	ANG	FINISH	DRAWING NO. PAGE 1 OF 1 REV.	
			RFP	05-14-2008	CAD FILE SS403715	A	SS403715
			DIST	WP			

THIS DRAWING IN DESIGN AND DETAIL IS OUR PROPERTY AND MUST NOT BE USED EXCEPT IN CONNECTION WITH OUR WORK ALL RIGHTS OF DESIGN AND INVENTION ARE RESERVED THIS IS AN ELECTRONICALLY GENERATED DOCUMENT - DO NOT SCALE THIS PRINT



				TOLERANCES UNLESS SPECIFIED		REGAL-BELOIT <i>Motor Technologies</i>	DRAWN MRB 04-16-1998		
				DEC.	INCHES		CHK	ML 04-22-1998	
4	ADDED DIM. TO DECAL	RDH 09/22/2003	ML	.X	±.1	TITLE CONNECTION DECAL	APPD	GK 04-22-1998	
3	REMOVED 'MARATHON ELECTRIC' CN 35106	DRS 05-01-2002	TOM	.XX	±.02		SCALE	1=1	
2	PART NAME WAS CONNECTION DIAGRAM CN 25669	MRB 04-23-1998		.XXX	±.005		REF		
1	NEW DRAWING CN 25669	MRB 04-22-1998		.XXXX	±.0005	MAT'L.	FMF		
NO.	REVISION	BY & DATE	CHK	ANG	±7'30"	FINISH	PREV		
THIS DRAWING IN DESIGN AND DETAIL IS OUR PROPERTY AND MUST NOT BE USED EXCEPT IN CONNECTION WITH OUR WORK ALL RIGHTS OF DESIGN AND INVENTION ARE RESERVED THIS IS AN ELECTRONICALLY GENERATED DOCUMENT - DO NOT SCALE THIS PRINT			RFP	CAD FILE 6906496			SIZE	DRAWING NO. PAGE OF	REV.
			DIST	WP			A	6906496	4

Uncontrolled Copy

** Subject to change without notice.