

# PRODUCT INFORMATION PACKET

**marathon**<sup>®</sup>  
Motors

Model No: 048A11O2055  
Catalog No: X423  
1/4,1075,OPEN,48Y,1/60/460  
Condenser Fans



Regal and Marathon are trademarks of Regal Beloit Corporation or one of its affiliated companies.  
©2018 Regal Beloit Corporation, All Rights Reserved. MC017097E

**REGAL**<sup>®</sup>

### **Nameplate Specifications**

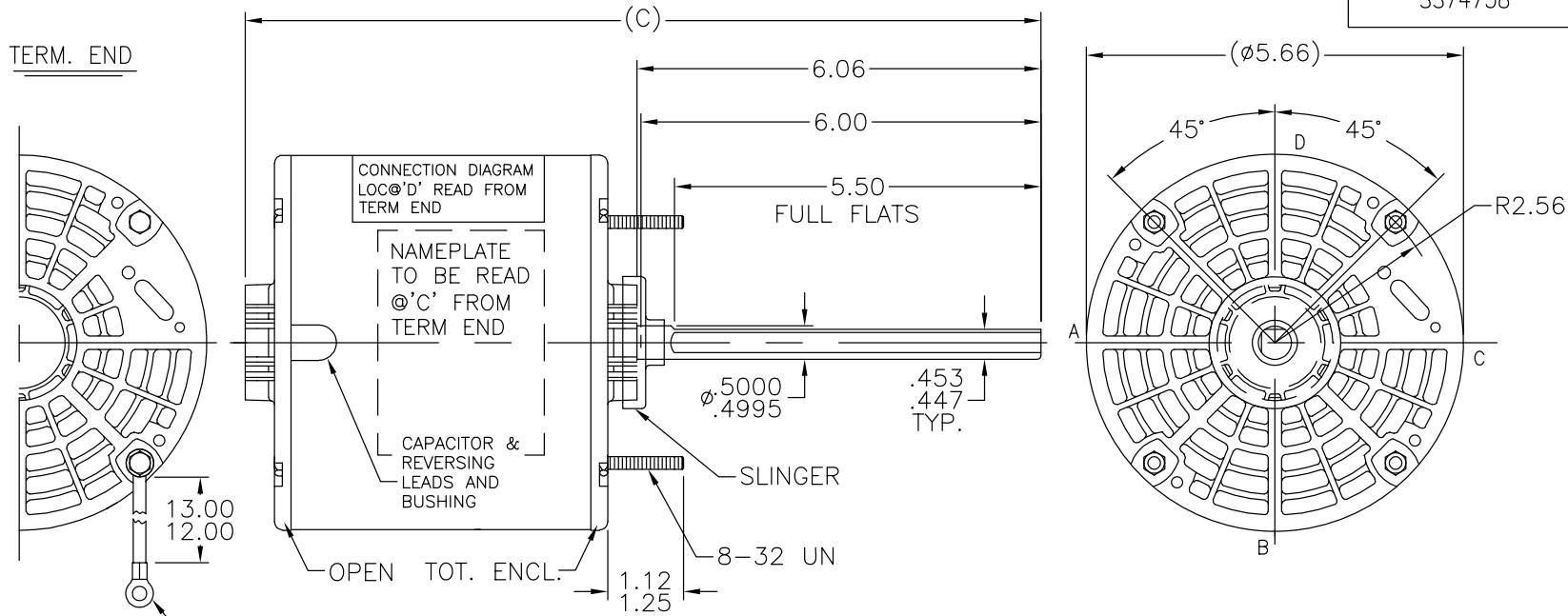
Output HP	<b>0.25 Hp</b>	Output KW	<b>0.19 kW</b>
Frequency	<b>60 Hz</b>	Voltage	<b>460 V</b>
Current	<b>1.0 A</b>	Speed	<b>1075 rpm</b>
Service Factor	<b>1</b>	Phase	<b>1</b>
Efficiency	<b>59.5 %</b>	Duty	<b>Continuous</b>
Insulation Class	<b>B</b>	Design Code	<b>NO DESIGN CODE</b>
KVA Code	<b>C</b>	Frame	<b>48Y</b>
Enclosure	<b>Open Air Over</b>	Overload Protector	<b>Automatic Lock Rotor Only</b>
Ambient Temperature	<b>40 °C</b>	Drive End Bearing Size	<b>6203</b>
Opp Drive End Bearing Size	<b>6203</b>	UL	<b>Recognized</b>
CSA	<b>Y</b>	CE	<b>N</b>
IP Code	<b>01</b>		

### **Technical Specifications**

Electrical Type	<b>Permanent Split Capacitor</b>	Starting Method	<b>Across The Line</b>
Poles	<b>6</b>	Rotation	<b>Selective Counterclockwise</b>
Mounting	<b>Round - Extended Studs</b>	Motor Orientation	<b>Horizontal</b>
Drive End Bearing	<b>Ball</b>	Opp Drive End Bearing	<b>Ball</b>
Frame Material	<b>Rolled Steel</b>	Shaft Type	<b>Single Special Extension</b>
Overall Length	<b>11.19 in</b>	Shaft Diameter	<b>0.500 in</b>
Shaft Extension	<b>6.06 in</b>	Assembly/Box Mounting	<b>F1 Only</b>
Outline Drawing	<b>A-SS74758-375</b>	Connection Diagram	<b>6906496</b>

**This is an uncontrolled document once printed or downloaded and is subject to change without notice. Date Created: 10/08/2018**

SS74758

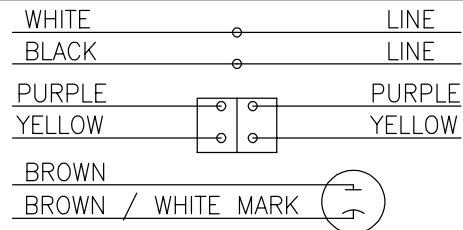


GROUND LEAD W/TERM FOR #10 SCREW

LEAD DESCRIPTION:  
1 WHITE & 1 BLACK WITH .50 BARE WIRE STRIP 30.00" LONG.

2 BROWN CAPACITOR LEADS W/.25 FLAG TYPE QUICK CONNECTS 30.00" LONG  
BROWN W/WHITE MARK IS COMMON TO WHITE LEAD

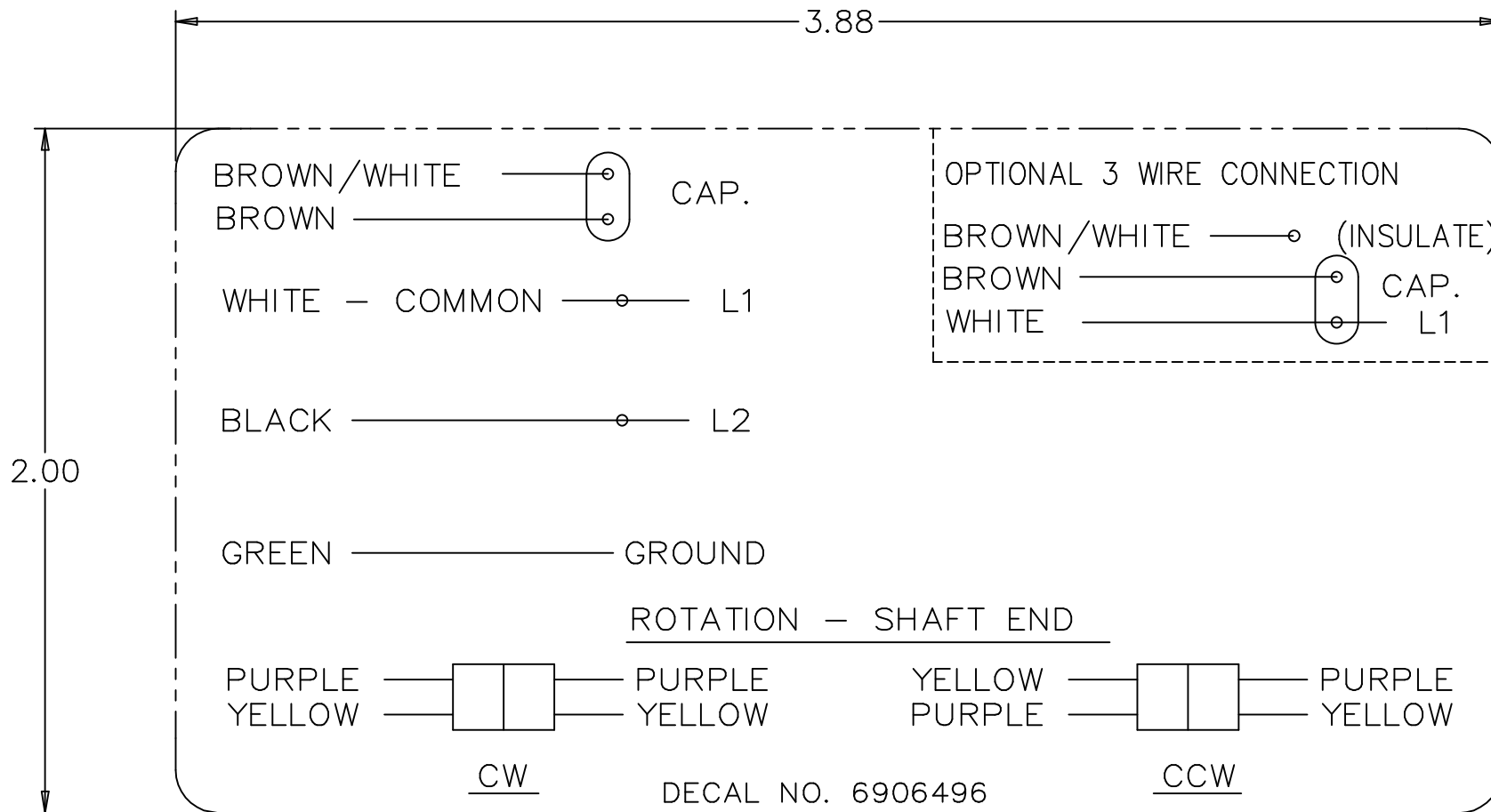
REVERSING LEADS ARE MOLDED INTO MATING PULL APART PLUGS. ONE PURPLE AND ONE YELLOW PER PLUG. 5.0 LONG



ROTATION: CW-SHAFT END SHOWN.  
TO REVERSE, CONNECT PURPLE TO YELLOW AND YELLOW TO PURPLE

DASH	FRAME	C
375	48Y	11.19
400	48Y	11.44
425	48Y	11.69

		TOLERANCES UNLESS SPECIFIED		MARATHON ELECTRIC	DRAWN MRB 09-13-1995						
		DEC.	INCHES		CHK	DA 09-14-1995					
		.X	±.1	TITLE OUTLINE	APPD	GK 09-14-1995					
4	UPDATED DRAWING	TJW	04/13/2007		.XX	±.03	SCALE 7=16				
3	REDRAWN IN AUTOCAD	TAT	07-22-2004		ML	.XXX	±.005				
2	REM. C' BOX - LEADS WERE 36.00-39.00 LG. CN 2115	MRB	09-14-1995	.XXXX	±.0005	MAT'L.					
NO.	REVISION	BY & DATE	CHK	ANG	±7'30"	FINISH	PREV				
THIS DRAWING IN DESIGN AND DETAIL IS OUR PROPERTY AND MUST NOT BE USED EXCEPT IN CONNECTION WITH OUR WORK ALL RIGHTS OF DESIGN AND INVENTION ARE RESERVED THIS IS AN ELECTRONICALLY GENERATED DOCUMENT - DO NOT SCALE THIS PRINT				RFP	CAD FILE	ss74758	SIZE	DRAWING NO.	PAGE	OF	REV.
				DIST	WP		A	SS74758			4



				TOLERANCES UNLESS SPECIFIED		REGAL-BELOIT <i>Motor Technologies</i>	DRAWN MRB 04-16-1998				
				DEC.	INCHES		CHK	ML	04-22-1998		
4	ADDED DIM. TO DECAL	RDH 09/22/2003	ML	.X	±.1	TITLE CONNECTION DECAL	APPD	GK	04-22-1998		
3	REMOVED 'MARATHON ELECTRIC' CN 35106	DRS 05-01-2002	TOM	.XX	±.02		SCALE	1=1			
2	PART NAME WAS CONNECTION DIAGRAM CN 25669	MRB 04-23-1998		.XXX	±.005		REF				
1	NEW DRAWING CN 25669	MRB 04-22-1998		.XXXX	±.0005	MAT'L.	FMF				
NO.	REVISION	BY & DATE	CHK	ANG	±7'30"	FINISH	PREV				
THIS DRAWING IN DESIGN AND DETAIL IS OUR PROPERTY AND MUST NOT BE USED EXCEPT IN CONNECTION WITH OUR WORK ALL RIGHTS OF DESIGN AND INVENTION ARE RESERVED THIS IS AN ELECTRONICALLY GENERATED DOCUMENT - DO NOT SCALE THIS PRINT			RFP	CAD FILE 6906496			SIZE	DRAWING NO.	PAGE	OF	REV.
			DIST	WP			A	6906496			4

**CERTIFICATION DATA SHEET**

**Model#:** 48A1102055 E                                **WINDING#:** PE4861426 NONE 4  
**CONN. DIAGRAM:** 6906496                            **ASSEMBLY:** F1 ONLY  
**OUTLINE:** A-SS74758-375

**TYPICAL MOTOR PERFORMANCE DATA**

HP	KW	SYNC. RPM	F.L. RPM	FRAME	ENCLOSURE	KVA CODE	DESIGN	
1/4	0.19	1200	1075	48Y	OPAO	C	NO DESIGN CODE	

PH	Hz	VOLTS	FL AMPS	START TYPE	DUTY	INSL	S.F	AMB°C	ELEVATION
1	60	460	1.0	ACROSS THE LINE	CONTINUOUS	B3	1.0	40	3300

FULL LOAD EFF: 59.5	3/4 LOAD EFF: -	1/2 LOAD EFF: -	GTD. EFF	ELEC. TYPE	NO LOAD AMPS
FULL LOAD PF: 67	3/4 LOAD PF: -	1/2 LOAD PF: -	0	PSC 1 SPEED	.5

F.L. TORQUE	LOCKED ROTOR AMPS	L.R. TORQUE	B.D. TORQUE	F.L. RISE°C
18.5 LB-FT	2.2	6.64 LB-FT -	33.5 LB-FT -	0

SOUND PRESSURE @ 3 FT.	SOUND POWER	ROTOR WK^2	MAX. WK^2	SAFE STALL TIME	STARTS /HOUR	APPROX. MOTOR WGT
- dBA	- dBA	0 LB-FT^2	- LB-FT^2	- SEC.	-	0 LBS.

**\*\*\* SUPPLEMENTAL INFORMATION \*\*\***

DE BRACKET TYPE	ODE BRACKET TYPE	MOUNT TYPE	ORIENTATION	SEVERE DUTY	HAZARDOUS LOCATION	DRIP COVER	SCREENS	PAINT
STANDARD	STANDARD	ROUND-EXTENDED STUDS	HORIZONTAL	FALSE	NONE	FALSE	NONE	GRAY (POWDER)

BEARINGS		GREASE	SHAFT TYPE	SPECIAL DE	SPECIAL ODE	SHAFT MATERIAL	FRAME MATERIAL
DE	OPE						
BALL	BALL	BEACON 325	SGL SPL EXT	0.500 x 6.00 WITH 5.50 DBL FULL FLATS	NONE	1144 STRESSPROOF (C-223)	ROLLED STEEL
6203	6203						

THERMO-PROTECTORS				THERMISTORS	CONTROL	SPACE /n HEATERS
THERMOSTATS	PROTECTORS	WDG RTDs	BRG RTDs			
NONE	AUT LCK RTR ONLY	NONE	NONE	NONE	FALSE	NONE VOLTS

**If Inverter equals NONE, contact factory for further information**

INVERTER TORQUE: NONE
INV. HP SPEED RANGE: NONE
ENCODER: NONE
NONE NONE
NONE NONE PPR
BRAKE: NONE NONE
NONE P/N NONE
NONE NONE
NONE FT-LB NONE V NONE Hz

\*  
N  
O  
T  
E  
S  
\*

