

PRODUCT INFORMATION PACKET

marathon®
Motors

Model No: 048A11O2050
Catalog No: X223
1/5,1075,OPAO,48Z,1/60/230
Other Purpose



Regal and Marathon are trademarks of Regal Beloit Corporation or one of its affiliated companies.
©2018 Regal Beloit Corporation, All Rights Reserved. MC017097E

REGAL



Nameplate Specifications

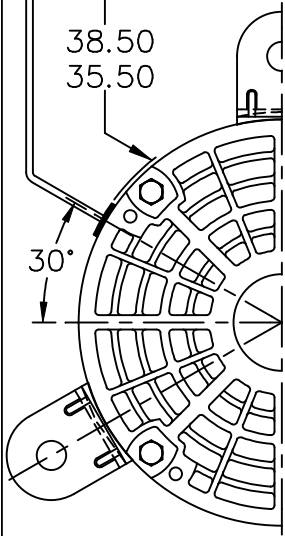
Output HP	0.20 Hp	Output KW	0.15 kW
Frequency	60 Hz	Voltage	230 V
Current	1.1 A	Speed	1075 rpm
Service Factor	1	Phase	1
Efficiency	52.5 %	Duty	Continuous
Insulation Class	B	Design Code	NO DESIGN CODE
KVA Code	A	Frame	48Z
Enclosure	Open Air Over	Overload Protector	Auto Lock Rotor Only
Ambient Temperature	40 °C	Drive End Bearing Size	6203
Opp Drive End Bearing Size	6203	UL	Recognized
CSA	Y	CE	N
IP Code	10		

Technical Specifications

Electrical Type	Permanent Split Capacitor	Starting Method	Across The Line
Poles	6	Rotation	Fixed Counterclockwise
Mounting	Three Lug Mount	Motor Orientation	Horizontal
Drive End Bearing	Ball	Opp Drive End Bearing	Ball
Frame Material	Rolled Steel	Shaft Type	Single Special Extension
Overall Length	6.62 in	Shaft Diameter	0.500 in
Shaft Extension	2.88 in	Assembly/Box Mounting	F1 Only
Outline Drawing	A-SS403690-325	Connection Diagram	95105441

This is an uncontrolled document once printed or downloaded and is subject to change without notice. Date Created: 06/29/2018

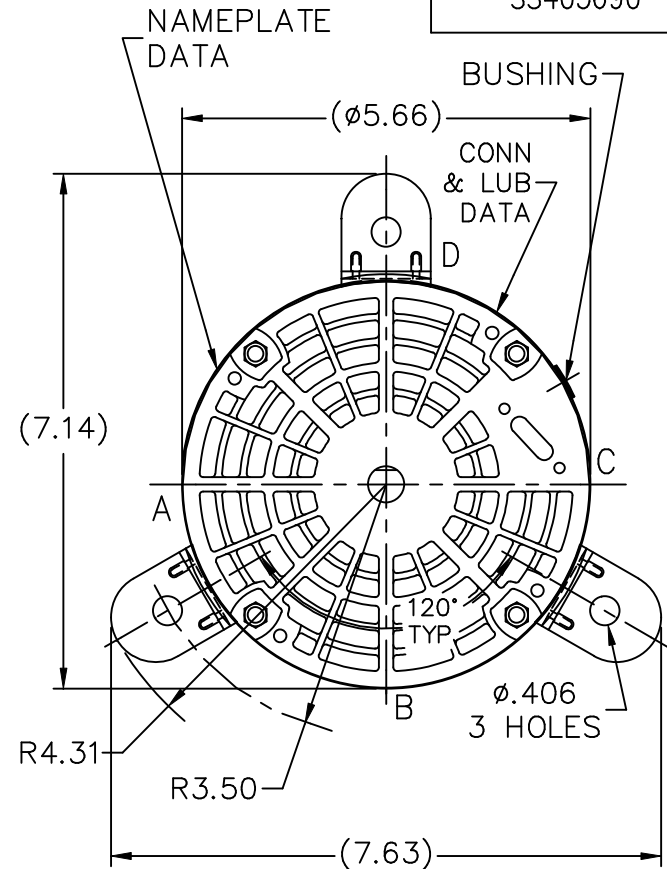
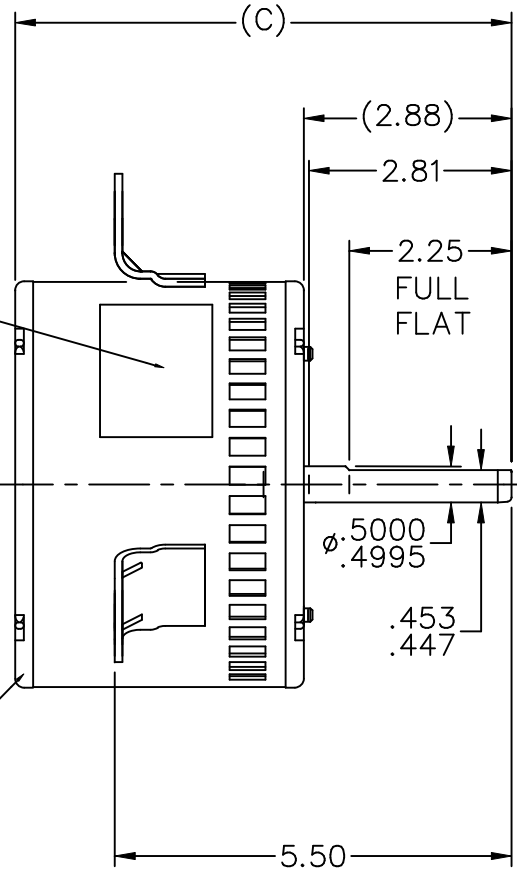
3 LEADS, 1 BLACK 1
WHITE, 1 BROWN
W/.25 STRAIGHT
QUICK CONNECTS



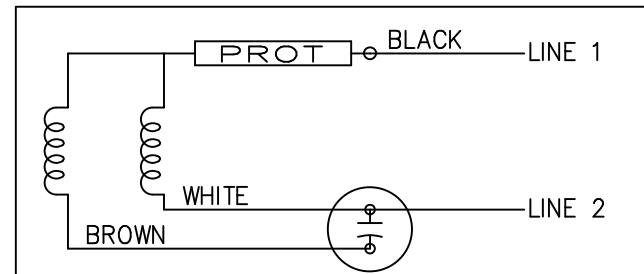
NAMEPLATES
LOC. @'D'
READ FROM
TE 2 PIECE
NAMEPLATE

OPEN
BOTH ENDS

TERM END



DASH	FR	C
300	48Y	6.38
312	48Y	6.50
325	48Y	6.62



NO.	REVISION	BY & DATE	CHK	TOLERANCES UNLESS SPECIFIED	
				DEC.	INCHES
				.X	±.1
				.XX	±.03
				.XXX	±.005
				.XXXX	±.0005
				ANG	±7'30"

MARATHON ELECTRIC

TITLE OUTLINE
48 FR.

MAT'L.
FINISH

DRAWN	SP 02-11-2008
CHK	NB 02-11-2008
APPD	NB 02-11-2008
SCALE	3=8
REF	SS73602
FMF	07-2838
PREV	

THIS DRAWING IN DESIGN AND DETAIL IS OUR PROPERTY AND MUST NOT BE USED EXCEPT IN CONNECTION WITH OUR WORK ALL RIGHTS OF DESIGN AND INVENTION ARE RESERVED THIS IS AN ELECTRONICALLY GENERATED DOCUMENT - DO NOT SCALE THIS PRINT			RFP 02-11-2008	CAD FILE SS403690	SIZE A	DRAWING NO. SS403690	PAGE OF	REV.
			DIST WP					

```
ERROR: syntaxerror
OFFENDING COMMAND: --nostringval--
STACK :
  /im
  -savelevel -
```

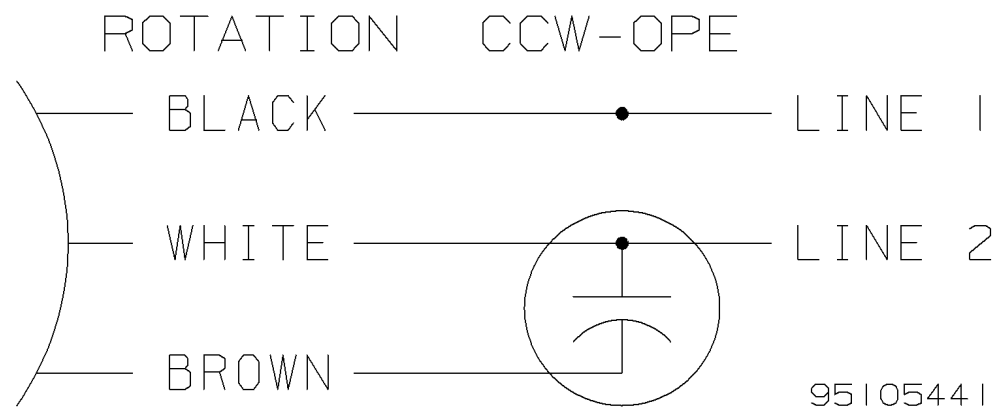


PLATE: 41365

SLOT: 22

				125 $\sqrt{\text{V}}$ SURFACE ROUGHNESS UNLESS NOTED OTHERWISE	UNLESS OTHERWISE SPECIFIED DIMENSIONS ARE IN INCHES TOL ON XX± XXX±.005 XXXX±.0005 ANGLES±		
				MATL SPEC	 WAUSAU, WISCONSIN 54401		DRAWN BY PR 8-14-86
				FINISH			CHKD BY TOM 10-3-86
2	12-14-88	REDRAWN NEW FORMAT 7150	PR	PART NAME			APPD BY
REV	DATE	CHANGE	NAME	CONNECTION DIAGRAM			DRWG NO A- 95105441

